



Cat. No.  
48351511

# TELESCOPING LASER POLE

## IMPORTANT SAFETY INSTRUCTIONS

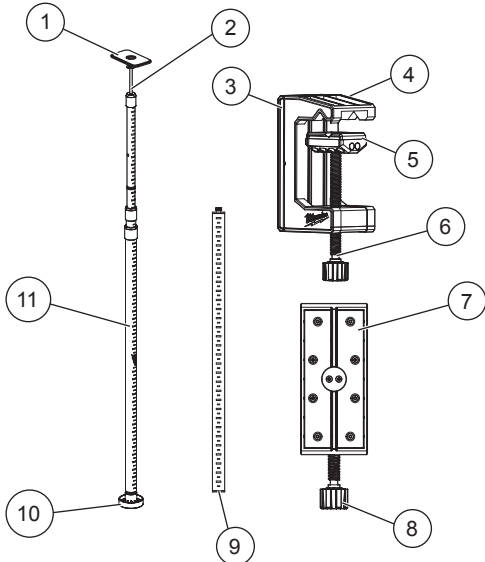
**⚠ WARNING** READ AND UNDERSTAND ALL INSTRUCTIONS. Failure to follow all instructions listed below, may result in electric shock, fire and/or serious personal injury.

### SAVE THESE INSTRUCTIONS

THIS OPERATOR'S MANUAL CONTAINS IMPORTANT SAFETY AND OPERATING INSTRUCTIONS.

- Make sure that all pieces of this device and the tool are securely mounted before operation.
- Always use common sense and be cautious when using tools. It is not possible to anticipate every situation that could result in a dangerous outcome. Do not use this tool if you do not understand these operating instructions or you feel the work is beyond your capability; contact MILWAUKEE® Tool or a trained professional for additional information or training.
- Maintain labels and nameplates. These carry important information. If unreadable or missing, contact a MILWAUKEE® service facility for a replacement.

## FUNCTIONAL DESCRIPTION



1. Non-marring ceiling pad
2. Spring rod
3. Swivel back plate
4. Clamp body
5. Jaw grip
6. Lead screw
7. Metal mounting plate
8. Quick adjustment knob
9. Extension
10. Screw-on floor pad
11. Reference marks

## SYMBOLGY



Read operator's manual

## ADDITIONAL BATTERY SAFETY RULES

**⚠ WARNING** To reduce the risk of fire, personal injury, and product damage due to a short circuit, never immerse your tool, battery pack or charger in fluid or allow a fluid to flow inside them. Corrosive or conductive fluids, such as seawater, certain industrial chemicals, and bleach or bleach-containing products, etc., can cause a short circuit.

**⚠ WARNING** Do not charge non-rechargeable batteries.

## SPECIFICATIONS

Cat. No. .... 48351511  
 Usable Range ..... 0 - 365.8 cm  
 Macro Adjustment ..... 147.5 - 365.8 cm  
 Laser Compatibility ..... MILWAUKEE® lasers

## ASSEMBLY

**⚠ WARNING** Only use accessories specifically recommended for this tool. Others may be hazardous.

### Assembling Laser Mounting Pole

Make sure that all pieces of this device and the tool are securely mounted before operation.

1. Review height needed. Assemble pole sections to desired height.
2. Attach screw-on bottom floor pad.
3. Attach swivel head by firmly pushing cup section into ball section until pieces snap into place.
4. Loosen clamp using quick adjustment knob.
5. Place clamp onto pole and use quick adjustment knob to tighten clamp into place.

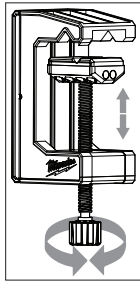
## OPERATION

### Quick Release Feature

1. Twist the quick adjustment knob anticlockwise to disengage threads.
2. Slide jaw to desired position by pushing and pulling lead screw.
3. Twist the quick adjustment knob clockwise to reengage threads and tighten the clamp.

### Adjusting Clamp

1. To mount the clamp to the pole, turn the lead screw knob on the bottom anticlockwise to loosen. Put the pole in between the jaw pieces and slide together. Turn knob clockwise to tighten.
2. To loosen, rotate the knob anticlockwise and slide jaw apart.
3. To rotate the swivel plate, firmly grasp the back plate of clamp and clamp body and twist in opposite directions. The clamp itself will allow for 360 degrees of rotation in 90 degree intervals.



### Adjusting Pole

1. Before use, add or remove bottom pole section depending on needed height.
2. To slide pole up or down, twist the pole sections to tighten (clockwise) or loosen (anticlockwise).
3. Extend pole to ceiling height, and apply pressure to ceiling and ceiling pad on tool to compress spring then twist clockwise to lock in place.

### WARRANTY - AUSTRALIA and NEW ZEALAND

Please refer to Australian and New Zealand warranty supplied with tool. This warranty applies only to product sold by authorised dealers in Australia and New Zealand.

### SERVICE - AUSTRALIA and NEW ZEALAND

**MILWAUKEE®** prides itself in producing a premium quality product that is Nothing But Heavy Duty™. Your satisfaction with our products is very important to us! If you encounter any problems with the operation of this tool, please contact your authorised **MILWAUKEE®** dealer.

For a list of **MILWAUKEE®** dealers, guarantee or service agents please contact **MILWAUKEE®** Customer Service or visit our website.

(Australia Toll Free Telephone Number 1300 645 928)  
(New Zealand Toll Free Telephone Number 0800 645 928)  
or visit [milwaukeetool.com.au/milwaukeetool.co.nz](http://milwaukeetool.com.au/milwaukeetool.co.nz).

### Milwaukee Electric Tool Corporation

13135 West Lisbon Road, Brookfield, Wisconsin U.S.A. 53005

### Milwaukee Tool (Australia)

26 - 40 Nina Link, Dandenong South,  
Victoria, 3175, Australia

### Milwaukee Tool (New Zealand)

274 Church Street, Penrose,  
Auckland, 1061, New Zealand

DESIGNED BY MILWAUKEE ELECTRIC TOOL CORP.

PROFESSIONALLY MADE IN INDIA

PRINTED IN INDIA