



M18™ BRUSHLESS TELESCOPING POLE PRUNING SHEARS CUTTING BLADE

Cat. No.
48442770

IMPORTANT SAFETY INSTRUCTIONS

⚠WARNING To reduce the risk of electric shock, fire and/or serious injury, read all safety warnings, instructions, illustrations, and specifications provided with this product, as well as those provided with the power tool, battery pack, and charger. Save all warnings and instructions for future reference. The term "power tool" in the warnings refers to your mains-operated (corded) power tool or battery-operated (cordless) power tool.

Only use accessories specifically recommended for this tool. Others may be hazardous.

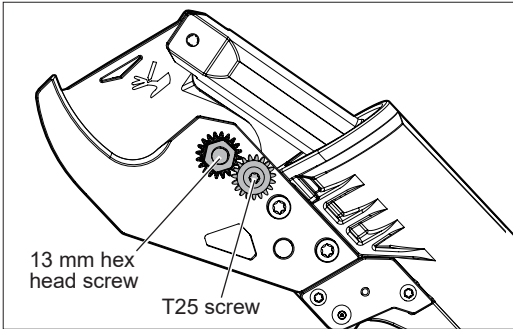
Removing/Installing the Cutting Blade

Replace the blade when it becomes dull or chipped. A blade is dull when the blade edge appears rounded or damaged.

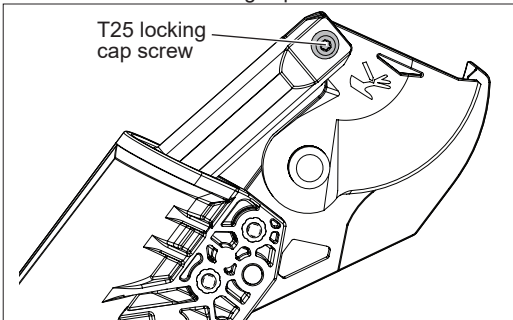
Use only MILWAUKEE® blade Cat. No. 48442770.

⚠DANGER Blade is sharp. Keep hands away from cutting edge. Laceration can occur.

1. Close the blades. The cutting edge of the blade should be covered by the lower jaw.
2. **⚠WARNING** Remove battery to avoid starting the tool.
3. To **remove** blade, use a screwdriver to first loosen the T25 screw, then the 13 mm hex head screw.



4. Remove the T25 locking cap screw.



5. Pull blade out of slot.

6. To **install** blade, push blade into slot lining up the holes.
7. Replace and tighten, in order, the T25 locking cap screw, the 13 mm hex head screw, and T25 screw. This will secure the blade in place. For best results, after installation of a new locking cap screw allow 24 hours for the threadlocker to cure before using the tool.

WARRANTY - AUSTRALIA and NEW ZEALAND

Please refer to Australian and New Zealand warranty supplied with tool. This warranty applies only to product sold by authorised dealers in Australia and New Zealand.

SERVICE - AUSTRALIA and NEW ZEALAND

MILWAUKEE® prides itself in producing a premium quality product that is Nothing But Heavy Duty™. Your satisfaction with our products is very important to us! If you encounter any problems with the operation of this tool, please contact your authorised **MILWAUKEE®** dealer.

For a list of **MILWAUKEE®** dealers, guarantee or service agents please contact **MILWAUKEE®** Customer Service or visit our website.

(Australia Toll Free Telephone Number 1300 645 928)

(New Zealand Toll Free Telephone Number 0800 645 928)

or visit milwaukeetool.com.au/milwaukeetool.co.nz.

Milwaukee Electric Tool Corporation

13135 West Lisbon Road, Brookfield, Wisconsin U.S.A. 53005

Milwaukee Tool (Australia)

26 - 40 Nina Link, Dandenong South,
Victoria, 3175, Australia

Milwaukee Tool (New Zealand)

274 Church Street, Penrose,
Auckland, 1061, New Zealand

DESIGNED BY MILWAUKEE ELECTRIC TOOL CORP.

PROFESSIONALLY MADE IN CHINA

PRINTED IN CHINA