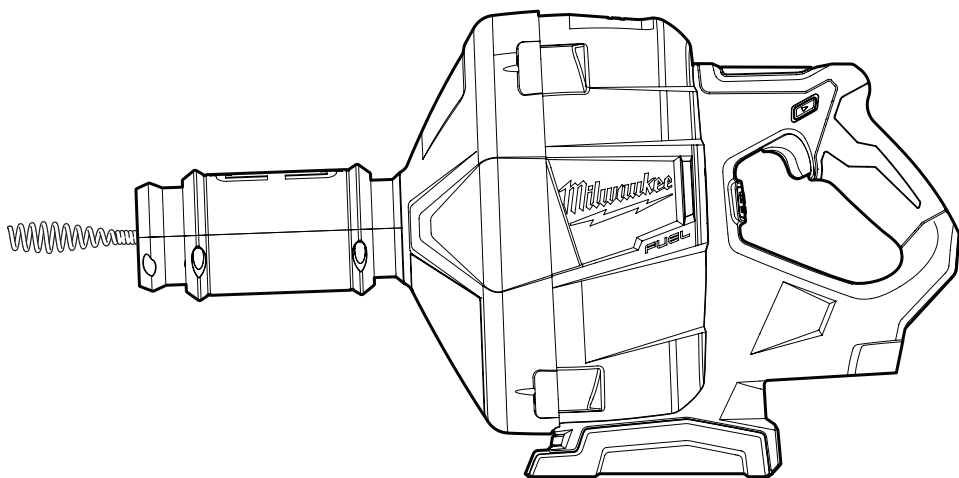




OPERATOR'S MANUAL



Cat. No.
M18 FDCPF8

M18™ FUEL™ DRAIN SNAKE WITH CABLE-DRIVE™ LOCKING FEED SYSTEM

 **WARNING**

To reduce the risk of injury, user must read and understand operator's manual.



GENERAL POWER TOOL SAFETY WARNINGS

WARNING Read all safety warnings, instructions, illustrations and specifications provided with this power tool. Failure to follow all instructions listed below may result in electric shock, fire and/or serious injury. **Save all warnings and instructions for future reference.** The term "power tool" in the warnings refers to your mains-operated (corded) power tool or battery-operated (cordless) power tool.

WORK AREA SAFETY

- **Keep work area clean and well lit.** Cluttered or dark areas invite accidents.
- **Do not operate power tools in explosive atmospheres, such as in the presence of flammable liquids, gases or dust.** Power tools create sparks which may ignite the dust or fumes.
- **Keep children and bystanders away while operating a power tool.** Distractions can cause you to lose control.

ELECTRICAL SAFETY

- **Power tool plugs must match the outlet. Never modify the plug in any way. Do not use any adapter plugs with earthed (grounded) power tools.** Unmodified plugs and matching outlets will reduce risk of electric shock.
- **Avoid body contact with earthed or grounded surfaces, such as pipes, radiators, ranges and refrigerators.** There is an increased risk of electric shock if your body is earthed or grounded.
- **Do not expose power tools to rain or wet conditions.** Water entering a power tool will increase the risk of electric shock.
- **Do not abuse the cord. Never use the cord for carrying, pulling or unplugging the power tool. Keep cord away from heat, oil, sharp edges or moving parts.** Damaged or entangled cords increase the risk of electric shock.
- **When operating a power tool outdoors, use an extension cord suitable for outdoor use.** Use of a cord suitable for outdoor use reduces the risk of electric shock.
- **If operating a power tool in a damp location is unavoidable, use a ground fault circuit interrupter (GFCI) protected supply.** Use of an GFCI reduces the risk of electric shock.

PERSONAL SAFETY

- **Stay alert, watch what you are doing and use common sense when operating a power tool. Do not use a power tool while you are tired or under the influence of drugs, alcohol or medication.** A moment of inattention while operating power tools may result in serious personal injury.
- **Use personal protective equipment. Always wear eye protection.** Protective equipment such as a dust mask, non-skid safety shoes, hard hat or hearing protection used for appropriate conditions will reduce personal injuries.
- **Prevent unintentional starting. Ensure the switch is in the off-position before connecting to power source and/or battery pack, picking up or carrying the tool.** Carrying power tools with your finger on the switch or energising power tools that have the switch on invites accidents.

- **Remove any adjusting key or wrench before turning the power tool on.** A wrench or a key left attached to a rotating part of the power tool may result in personal injury.
- **Do not overreach. Keep proper footing and balance at all times.** This enables better control of the power tool in unexpected situations.
- **Dress properly. Do not wear loose clothing or jewelry. Keep your hair and clothing away from moving parts.** Loose clothes, jewelry or long hair can be caught in moving parts.
- **If devices are provided for the connection of dust extraction and collection facilities, ensure these are connected and properly used.** Use of dust collection can reduce dust-related hazards.
- **Do not let familiarity gained from frequent use of tools allow you to become complacent and ignore tool safety principles.** A careless action can cause severe injury within a fraction of a second.

POWER TOOL USE AND CARE

- **Do not force the power tool. Use the correct power tool for your application.** The correct power tool will do the job better and safer at the rate for which it was designed.
 - **Do not use the power tool if the switch does not turn it on and off.** Any power tool that cannot be controlled with the switch is dangerous and must be repaired.
 - **Disconnect the plug from the power source and/ or remove the battery pack, if detachable, from the power tool before making any adjustments, changing accessories, or storing power tools.** Such preventive safety measures reduce the risk of starting the power tool accidentally.
 - **Store idle power tools out of the reach of children and do not allow persons unfamiliar with the power tool or these instructions to operate the power tool.** Power tools are dangerous in the hands of untrained users.
 - **Maintain power tools and accessories. Check for misalignment or binding of moving parts, breakage of parts and any other condition that may affect the power tool's operation. If damaged, have the power tool repaired before use.** Many accidents are caused by poorly maintained power tools.
 - **Keep cutting tools sharp and clean.** Properly maintained cutting tools with sharp cutting edges are less likely to bind and are easier to control.
 - **Use the power tool, accessories and tool bits etc. in accordance with these instructions, taking into account the working conditions and the work to be performed.** Use of the power tool for operations different from those intended could result in a hazardous situation.
 - **Keep handles and grasping surfaces dry, clean and free from oil and grease.** Slippery handles and grasping surfaces do not allow for safe handling and control of the tool in unexpected situations.
- ### BATTERY TOOL USE AND CARE
- **Recharge only with the charger specified by the manufacturer.** A charger that is suitable for one type of battery pack may create a risk of fire when used with another battery pack.
 - **Use power tools only with specifically designated battery packs.** Use of any other battery packs may create a risk of injury and fire.

- **When battery pack is not in use, keep it away from other metal objects, like paper clips, coins, keys, nails, screws or other small metal objects, that can make a connection from one terminal to another.** Shorting the battery terminals together may cause burns or a fire.
- **Under abusive conditions, liquid may be ejected from the battery; avoid contact. If contact accidentally occurs, flush with water. If liquid contacts eyes, additionally seek medical help.** Liquid ejected from the battery may cause irritation or burns.
- **Do not use a battery pack or tool that is damaged or modified.** Damaged or modified batteries may exhibit unpredictable behavior resulting in fire, explosion or risk of injury.
- **Do not expose a battery pack or tool to fire or excessive temperature.** Exposure to fire or temperature above 130°C (265°F) may cause explosion.
- **Follow all charging instructions and do not charge the battery pack or tool outside the temperature range specified in the instructions.** Charging improperly or at temperatures outside the specified range may damage the battery and increase the risk of fire.

SERVICE

- **Have your power tool serviced by a qualified repair person using only identical replacement parts.** This will ensure that the safety of the power tool is maintained.
- **Never service damaged battery packs.** Service of battery packs should only be performed by the manufacturer or authorised service providers.

SPECIFIC SAFETY RULES FOR DRAIN SNAKE

- **Only grasp the rotating cable with gloves recommended by the manufacturer.** Latex or loose fitting gloves or rags can become wrapped around the cable and may result in serious personal injury.
- **Do not allow the cutter to stop turning while the cable is turning.** This can overstress the cable and may cause twisting, kinking or breaking of the cable and may result in serious personal injury.
- **Use latex or rubber gloves inside the gloves recommended by the manufacturer, goggles, face shields, protective clothing, and respirator when chemicals, bacteria or other toxic or infectious substances are suspected to be in a drain line.** Drains may contain chemicals, bacteria and other substances that may cause burns, be toxic or infectious or may result in other serious personal injury.
- **Practice good hygiene. Do not eat or smoke while handling or operating the tool. After handling or operating drain cleaning equipment, use hot, soapy water to wash hands and other body parts exposed to drain contents.** This will help reduce the risk of health hazards due to exposure to toxic or infectious material.
- **Only use the drain cleaner for the recommended drain sizes.** Using the wrong size drain cleaner can lead to twisting, kinking or breaking of the cable and may result in personal injury.
- **Inspect cable for wear and damage before use.** Replace a worn or damaged cable before using the drain cleaner.
- **Do not twist, kink or over bend cables.** Breaking of the cable may result in serious personal injury.

- **Inspect the drain to be cleaned before use.** If possible, determine the access point(s) to the drain, the size(s) and length(s) of the drain, distance to mainlines, the nature of the blockage, presence of drain cleaning chemicals or other chemicals, etc. If chemicals are present in the drain, it is important to understand those specific safety measures required to work around those chemicals. Contact the chemical manufacturer for required information.
- **If needed, place protective covers in the work area.** The drain cleaning process can be messy.
- **Make sure cable is fully retracted inside of the drain cleaner.** This will prevent whipping at start up.
- **Place the drain cleaner at a distance no greater than 152 mm from drain opening. If the drain cleaner cannot be placed within 152 mm from the drain opening, the drain opening will need to be extended using a similar size pipe and fittings.**

- Greater distances can cause control problems leading to twisting, kinking, breaking or whipping of the cable.
- **One person must control both the trigger switch and cable.** If the tool stops rotating, the user must be able to turn the tool off to prevent twisting, kinking, breaking or whipping of the cable.
 - **Do not operate the drain cleaner in reverse rotation except as described in this manual.** Running the tool in reverse, while in a clog or with cable bound, can cause damage to the cable and accessories.
 - **Maintain labels and nameplates.** These carry important information. If unreadable or missing, contact a MILWAUKEE® service facility for a replacement.
 - **AWARNING** Some dust created by power sanding, sawing, grinding, drilling, and other construction activities contains chemicals known to cause cancer, birth defects or other reproductive harm. Some examples of these chemicals are:
 - lead from lead-based paint
 - crystalline silica from bricks and cement and other masonry products, and
 - arsenic and chromium from chemically-treated lumber.
 Your risk from these exposures varies, depending on how often you do this type of work. To reduce your exposure to these chemicals: work in a well ventilated area, and work with approved safety equipment, such as those dust masks that are specially designed to filter out microscopic particles.

ADDITIONAL BATTERY SAFETY RULES

- **AWARNING** To reduce the risk of fire, personal injury, and product damage due to a short circuit, never immerse your tool, battery pack or charger in fluid or allow a fluid to flow inside them. Corrosive or conductive fluids, such as seawater, certain industrial chemicals, and bleach or bleach-containing products, etc., can cause a short circuit.

SPECIFICATIONS

Cat. No.	M18 FDCPF8
Volts	18 DC
Cable Spin No Load RPM	0 - 600
Cable Feed Speed Inches/Second	0-203mm (0-8")
Battery Type	M18™
Charger Type	M18™
Recommended Ambient Operating Temperature	-17°C to 51°C

SYMBOLOLOGY

 Volts

 Direct Current

n_0 xxxmin.⁻¹ No-Load Revolutions per Minute (RPM)

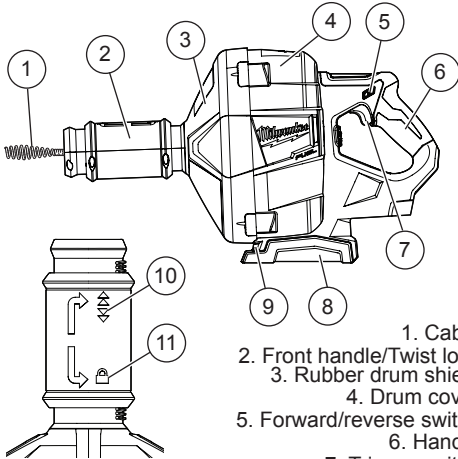


Only wear leather gloves



Do not allow battery to contact corrosive or conductive fluid.

FUNCTIONAL DESCRIPTION



1. Cable
2. Front handle/Twist lock
3. Rubber drum shield
4. Drum cover
5. Forward/reverse switch
6. Handle
7. Trigger switch
8. Flat tool base
9. LED
10. Cable feed icon
11. Cable lock icon

ASSEMBLY

WARNING Recharge only with the charger specified for the battery. For specific charging instructions, read the operator's manual supplied with your charger and battery.

Removing/Inserting the Battery

To remove the battery, push in the release buttons and pull the battery pack away from the tool.

WARNING Always remove battery pack before changing or removing accessories.

To insert the battery, slide the pack into the body of the tool. Make sure it latches securely into place.

WARNING Only use accessories specifically recommended for this tool. Others may be hazardous.

Always store tool in its bucket to avoid damage to the cable.



CAUTION To prevent damage to the cable, do not use in larger diameter pipes.

Cable Installation

WARNING To reduce the risk of injury, wear safety goggles or glasses with side shields. Always wear leather gloves. The cable is under pressure and can uncoil unexpectedly. Cable tip may be sharp.

Remove the cable for cleaning after each use. Different size and types of cables are available for different applications.

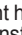
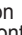
To remove the cable:

1. Remove the battery pack and set the front handle to the feed position  according to the instructions in "Controlling the Cable".
2. Pull the cable out through the front handle until the end of cable indicator is reached .

NOTE: Cable will appear stuck once the end of cable indicator is reached.

3. Set the front handle to the neutral position and pull out the remaining cable.

To install the cable:

1. Remove the battery pack and set the front handle to the locked position  according to the instructions in "Controlling the Cable".
2. Insert the cable through the nose of the tool until the cable catches.
3. Set the front handle to the feed position  and continue feeding the cable through the front handle.
4. Remove the protective tip cover from new cables before use.

Cable Attachment Installation

To install the attachment:

Snap the attachment coupler into the cable coupler. Snap the cable before inserting into the drain to make sure the attachment does not fall off during use.

To remove the attachment:

Insert the pin key into the coupling hole and pull attachment off of cable.

OPERATION

WARNING Always remove battery pack before changing or removing accessories.

Only use accessories specifically recommended for this tool. Others may be hazardous.

To reduce the risk of short circuit, when setting tool or battery down, do not allow battery to contact corrosive or conductive fluid.

To reduce the risk of injury, wear safety goggles or glasses with side shields. Always wear leather gloves.

Using Forward/Reverse Switch

1. For **forward** (clockwise) rotation, push in the forward/reverse switch from the right side of the tool ►. Check the direction of rotation before use.
2. For **reverse** (counterclockwise) rotation, push in the forward/reverse switch from the left side of the tool ◀. Check direction of rotation before use.
3. To **lock** the trigger, push the forward/reverse switch to the centre position. The trigger will not work while the forward/reverse switch is in the centre locked position. Always lock the trigger or remove the battery pack before performing maintenance, changing accessories, storing the tool and any time the tool is not in use.

Starting, Stopping and Controlling Speed

This tool may be used at any speed from 0 RPM to full speed.

1. To start the tool, pull the trigger. The trigger controls the cable spin feed and cable feed speed.
2. To vary the driving speed, increase or decrease pressure on the trigger. The further the trigger is pulled, the greater the speed.
3. To stop the tool, release the trigger.

Controlling the Cable

1. To **feed** the cable, set the forward/reverse switch to the forward position ►, and the front handle to the feed position ⚡ by pushing and holding the handle forward. To lock the front handle in the feed position, twist the front handle a quarter turn to the right.

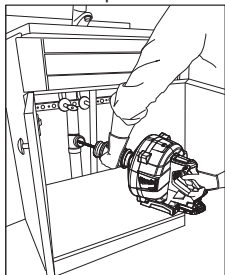
NOTE: Varying the degree of turn provides additional cable feed speed control. For fastest feed speed, twist the front handle 90 degrees to the right. **CAUTION!** Never twist front handle more than 90 degrees to the right and back. Turn by hand only.

2. To **retract** the cable, set the front handle to the feed position ⚡ and the forward/reverse switch to the reverse position ◀.
3. To **lock** the cable, set the front handle to the locked position 🔒 by pulling the handle back and twisting it a quarter turn to the right.
4. To put the cable into **neutral** position, set the front handle to the centre position, in between the feed and locked positions.

Inserting Cable Into Drain

1. Set the front handle to the feed position ⚡ and the forward/reverse switch to the forward position ►.
2. Pull the trigger to begin rotating the cable into the drain. **WARNING!** Place the tool no more than 304 mm (12") from the drain opening. Greater distance can cause twisting, kinking, breaking or whipping of the cable.

NOTE: To avoid fatigue, the tool can be placed on the flat tool base during use.



3. Continue feeding the cable into the drain until the obstruction is reached.

NOTE: The cable is not attached to the inner drum. Use care to insure that it does not come out of the tool. There is an end of cable indicator approximately 914 mm (3') away from the rear end of the cable to indicate a low remaining distance.

4. When the clog is reached, pull the front handle into the locked position 🔒. Move the tool in a back and forth motion while spinning the cable until the obstruction is cleared. Repeat until the drain is clear. If the cable binds, release the trigger immediately.

To Unbind Drain Snake

1. Set the front handle to the neutral position and the forward/reverse switch to the reverse position ◀.
2. Pull the trigger and retract the cable by hand.
3. After the cable is free, the tool may be switched back to the feed position ⚡.

CAUTION Running the tool in reverse, while in a clog or with cable bound, in the feed position ⚡ can cause damage to the cable and accessories.

MAINTENANCE

WARNING To reduce the risk of injury, always unplug the charger and remove the battery pack from the charger or tool before performing any maintenance. Never disassemble the tool, battery pack or charger. Contact a MILWAUKEE® service facility for ALL repairs.

Maintaining Tool

Keep your tool, battery pack and charger in good repair by adopting a regular maintenance program. Inspect your tool for issues such as undue noise, misalignment or binding of moving parts, breakage of parts, or any other condition that may affect the tool operation. Return the tool, battery pack, and charger to a MILWAUKEE® service facility for repair. After six months to one year, depending on use, return the tool, battery pack and charger to a MILWAUKEE® service facility for inspection. If the tool does not start or operate at full power with a fully charged battery pack, clean the contacts on the battery pack. If the tool still does not work properly, return the tool, charger and battery pack, to a MILWAUKEE® service facility for repairs.

WARNING To reduce the risk of personal injury and damage, never immerse your tool, battery pack or charger in liquid or allow a liquid to flow inside them.

To reduce the risk of fire, personal injury, and product damage, never immerse your tool, battery pack or charger in fluid or allow a fluid to flow inside them.

Cleaning

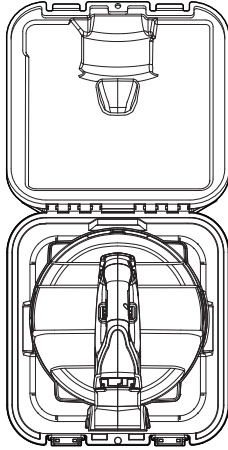
Clean dust and debris from vents. Keep handles clean, dry and free of oil or grease. Use only mild soap and a damp cloth to clean, since certain cleaning agents and solvents are harmful to plastics and other insulated parts. Some of these include gasoline, turpentine, lacquer thinner, paint thinner, chlorinated cleaning solvents, ammonia and household detergents containing ammonia. Never use flammable or combustible solvents around tools.

Cleaning Cable and Bucket

The cable should be thoroughly flushed with water after every use to prevent damaging effects of sediment and drain cleaning compounds. The bucket should also be cleaned regularly. **WARNING!** Wear leather gloves. After washing, dry the cable and bucket completely. Then, wipe cable with an oiled rag before returning it to the drum according to the instructions in "Cable Installation". The tool should then be stored nose down into the bucket according to the instructions in "Storing the Drain Snake".

Storing the Drain Snake

1. Make sure cable is fully retracted into the tool.
2. Set the front handle to the neutral position and the forward/reverse switch to the locked position. Remove battery and place it in tray.
3. Place the tool in the storage bucket in the orientation shown. Place top cover and seal with the lid.



Repairs

For repairs, return the tool, battery pack and charger to the nearest service centre.

ACCESSORIES

WARNING Use only recommended accessories. Others may be hazardous.

For a complete listing of accessories, go online to www.milwaukeetools.com.au/ www.milwaukeetools.co.nz or contact a distributor.

WARRANTY - AUSTRALIA and NEW ZEALAND

Please refer to Australian and New Zealand warranty supplied with tool. This warranty applies only to product sold in Australia and New Zealand.

SERVICE - AUSTRALIA and NEW ZEALAND

MILWAUKEE[®] prides itself in producing a premium quality product that is Nothing But Heavy Duty[®]. Your satisfaction with our products is very important to us! If you encounter any problems with the operation of this tool, please contact your authorised *MILWAUKEE*[®] dealer.

For a list of *MILWAUKEE*[®] dealers, guarantee or service agents please contact *MILWAUKEE*[®] Customer Service or visit our website.

(Australia Toll Free Telephone Number 1300 645 928)

(New Zealand Toll Free Telephone Number 0800 279 624)

or visit www.milwaukeetools.com.au / www.milwaukeetools.co.nz.

Milwaukee Electric Tool Corporation

13135 West Lisbon Road, Brookfield, Wisconsin U.S.A. 53005

Milwaukee Tool (Australia)

21 Kelletts Road, Rowville, VIC 3178
Melbourne, Australia

Milwaukee Tool (New Zealand)

2 Landing Drive, Mangere
Auckland, 2022, New Zealand

Designed by Milwaukee Electric Tool Corp.

Professionally Made in China for Milwaukee Tool (Australia) / Milwaukee Tool (New Zealand)

Printed in China