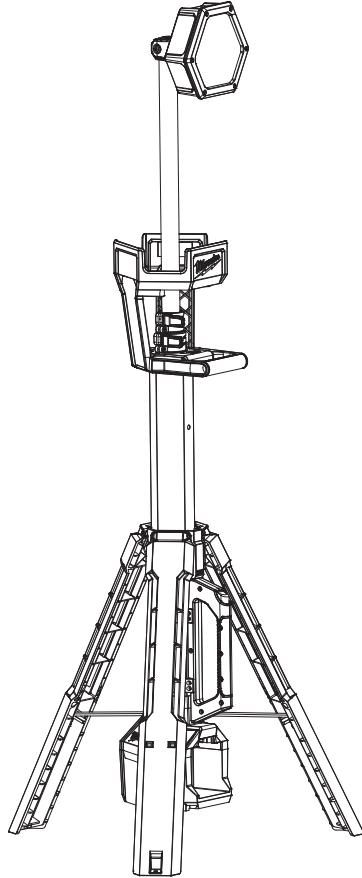




OPERATOR'S MANUAL



Cat. No.
M18 DSAL

M18™ DUAL POWER TOWER LIGHT

 **WARNING**

To reduce the risk of injury, user must read and understand operator's manual.



IMPORTANT SAFETY INSTRUCTIONS



WARNING Read all safety warnings and all instructions. Failure to follow the warnings and instructions may result in electric shock, fire and/or serious injury. Save all warnings and instructions for future reference.

WORK AREA SAFETY

- To reduce the risk of injury, close supervision is necessary when an appliance is used near children.
- Store idle light out of reach of children. Warm lights can become hazardous in the hands of children.
- Do not use outdoors.

ELECTRICAL SAFETY

- Power cord plugs must match the outlet. Never modify the plug in any way. Do not use any adapter plugs with earthed (grounded) power tools. Unmodified plugs and matching outlets will reduce risk of electric shock.
- Avoid body contact with earthed or grounded surfaces, such as pipes, radiators, ranges and refrigerators. There is an increased risk of electric shock if your body is earthed or grounded.
- To reduce the risk of electric shock, do not put light in water or other liquid. Do not place or store appliance where it can fall or be pulled into a tub or sink.
- Do not abuse the cord. Never use the cord for carrying, pulling or unplugging the power tool. Keep cord away from heat, oil, sharp edges or moving parts.
- Arrange cords carefully to avoid hazardous environments. Tripping or snagging on cords can cause injury and product damage. Do not allow cords to run through puddles or across wet ground.
- Do not unplug by pulling on the cord. To unplug, grasp the plug, not the cord.
- Unplug the cord from outlet when not in use and before servicing or cleaning.
- Always use a suitable extension cord to reduce the risk of electric shock.
- If operating a light in a damp location is unavoidable, use a residual current device (RCD) protected supply. Use of a RCD reduces the risk of electric shock.

PERSONAL SAFETY

- Do not overreach. Keep proper footing and balance at all times. This enables better control of the light in unexpected situations.
- Do not use on a ladder or unstable support. Stable footing on a solid surface enables better control of the light in unexpected situations.

BATTERY TOOL USE AND CARE

- Recharge only with the charger specified by the manufacturer. A charger that is suitable for one type of battery pack may create a risk of fire when used with another battery pack.
- Use light only with specifically designated battery packs. Use of any other battery packs may create a risk of injury and fire.
- When battery pack is not in use, keep it away from other metal objects, like paper clips, coins, keys, nails, screws or other small metal objects, that can

make a connection from one terminal to another. Shorting the battery terminals together may cause burns or a fire.

- Under abusive conditions, liquid may be ejected from the battery; avoid contact. If contact accidentally occurs, flush with water. If liquid contacts eyes, additionally seek medical help. Liquid ejected from the battery may cause irritation or burns.
- Do not use a battery pack or tool that is damaged or modified. Damaged or modified batteries may exhibit unpredictable behavior resulting in fire, explosion or risk of injury.
- Do not expose a battery pack or tool to fire or excessive temperature. Exposure to fire or temperature above 130°C (265°F) may cause explosion.
- Follow all charging instructions and do not charge the battery pack or tool outside the temperature range specified in the instructions. Charging improperly or at temperatures outside the specified range may damage the battery and increase the risk of fire.

SERVICE

- Have your light serviced by a qualified repair person using only identical replacement parts. This will ensure that the safety of the light is maintained.
- Never service damaged battery packs. Service of battery packs should only be performed by the manufacturer or authorised service providers.

SPECIFIC SAFETY RULES

- Warning - The lens may get hot during use. To reduce the risk of burns, do not touch hot lens.
- Maintain labels and nameplates. These carry important information. If unreadable or missing, contact a MILWAUKEE® service facility for a replacement.

SAVE THESE INSTRUCTIONS

SYMBOLGY



Safety alert



Volts



Direct Current



Alternating Current



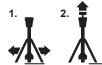
Amps



Double Insulated



AC Power



Always extend legs before raising the poles.



Keep hands clear of housing when collapsing the extension poles.



Read operator's manual.



Do not stare at the operating light source.

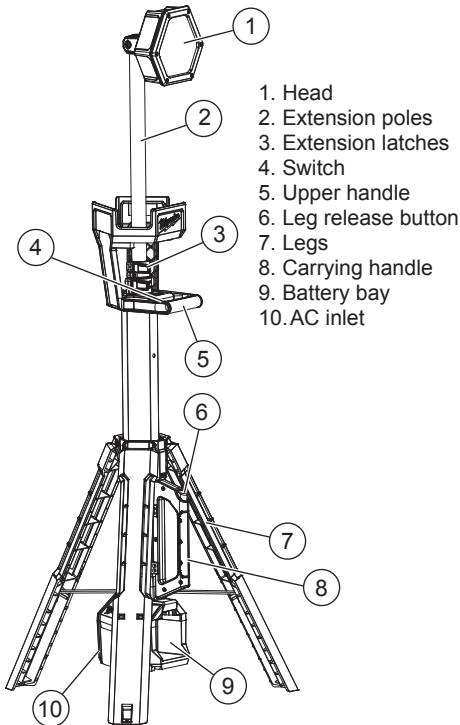


Regulatory Compliance mark (RCM). This product meets applicable regulatory requirements.

SPECIFICATIONS

Cat. No.....	M18 DSAL
Volts.....	18V DC
Battery Type.....	M18™
Charger Type.....	M18™
AC Input Volts.....	220-240 V
DC Input Volts.....	18 V
DC Input Amps.....	1.6 A
AC Input Watts.....	30 W
Recommended Ambient Operating Temperature.....	-18°C to 51°C (0°F to 125°F)

FUNCTIONAL DESCRIPTION



1. Head
2. Extension poles
3. Extension latches
4. Switch
5. Upper handle
6. Leg release button
7. Legs
8. Carrying handle
9. Battery bay
10. AC inlet

EXTENSION CORDS

Earthed tools require a three core extension cord. Double insulated tools can use either a two or three core extension cord. As the distance from the supply outlet increases, you must use a heavier gauge extension cord. Using extension cords with inadequately sized core causes a serious drop in voltage, resulting in loss of power and possible tool damage. Refer to the table shown to determine the required minimum cable size.

The larger the size of the cable, the greater the capacity of the cord. For example, a 1.00 mm² cable can carry a higher current than the 0.75 mm² cable. When using more than one extension cord to make up the total length, be sure each cord contains the same size cable. If you are using one extension cord for more than one appliance, add the nameplate amperes and use the sum to determine the required minimum cable size.

Guidelines for Using Extension Cords

- Be sure your extension cord is properly wired and in good electrical condition. Always replace a damaged extension cord or have it repaired by a qualified person before using it.
- Protect your extension cords from sharp objects, excessive heat and damp or wet areas.

Recommended Minimum Wire Size (mm ²) For Extension Cords*					
Nameplate Amperes	Extension Cord Length				
	7.5m	15m	23m	30.5m	45m
0 - 2.0	1.0	1.0	1.0	1.0	1.5
2.1 - 3.4	1.0	1.0	1.0	1.5	2.0
3.5 - 5.0	1.0	1.0	1.5	2.0	4.0
5.1 - 7.0	1.0	1.5	2.0	4.0	4.0
7.1 - 10.0	1.5	2.0	4.0	6.0	--

* Based on limiting the line voltage drop to five volts at 150% of the rated amperes.

READ AND SAVE ALL INSTRUCTIONS FOR FUTURE USE.

Double Insulated Tools (Two-Pin Plugs)

Appliances marked "Double Insulated" do not require earthing. They have a special double insulation system which satisfies electrical safety. Double Insulated appliances may be used in either of the 220-240

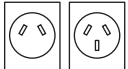


Fig. A Fig. B

volt outlets shown in Figure A and B.

ASSEMBLY

⚠ WARNING Recharge only with the charger specified for the battery. For specific charging instructions, read the operator's manual supplied with your charger and battery.

Inserting/Removing Battery Pack

Insert the battery pack by sliding battery pack into the battery bay. Insert the battery pack until the battery latches lock.

To remove the battery pack, press in both battery latches and slide the battery pack out of the battery bay.

Inserting/Removing Extension Cord

To operate the light on AC power, extend and lock legs. Plug a suitable extension cord into the AC inlet (10). To disconnect the extension cord, press the switch (4) button to turn off the light, then remove the cord from the inlet.

NOTE: When an extension cord is plugged into the light, the light will automatically run on AC power.

⚠ WARNING To reduce the risk of injury, do not look directly into the light when the light is on.

To reduce the risk of injury, always fully extend and lock legs into position before raising the poles. Light may tip and cause injury.

To reduce the risk of injury, keep hands clear of the housing area when collapsing the extension poles. Head may descend rapidly, pinching hands and fingers.

Extending/Collapsing the Legs

Always extend and lock legs before raising the poles.

1. Stand light upright.
2. Press the Leg Release Button and slide the legs down using the Carrying Handle.
3. Lift up on the Upper Handle while sliding down the Carrying Handle.
4. Lift until the Battery Bay lifts off the floor and the legs lock into place.
5. To collapse, press the Leg Release Button and slide in the legs using the Carrying Handle. Keep hands clear of the legs as they collapse.

Extending/Collapsing the Extension Poles

Extend or collapse the two poles to set the light at the desired height.


1. Extend and lock the legs.
2. Open the top extension latch and raise the head out of the housing. Extend the pole to the desired height.
3. Fully close top extension latch.
4. If more height is needed, fully extend first pole and close latch before opening bottom latch.
5. Continue to raise the head to the desired height.
6. Fully close bottom extension latch.
7. Rotate the heads to the desired angle. The three heads can be adjusted individually.

NOTE: Before collapsing the poles, the heads must be returned to their upright angle.


OPERATION

 **WARNING** To reduce the risk of injury, do not look directly into the light when the light is on.

Using the Light

1. Insert battery pack or plug into AC power.
2. Use the switch  to cycle through High, Medium, Low, and OFF. Press and hold to turn OFF from any setting.

MAINTENANCE

 **WARNING** To reduce the risk of injury, always unplug the charger and remove the battery pack from the charger before performing any maintenance. Never disassemble the tool, battery pack or charger. Contact a **MILWAUKEE®** service facility for ALL repairs.


Maintaining Light

Keep your light, battery pack and charger in good repair by adopting a regular maintenance program. If the light does not work properly, return the light to a **MILWAUKEE®** service facility for repairs.

The light source contained in this luminaire shall only be replaced by the manufacturer or his service agent or a similar qualified person.

Tightening

If the head or extensions will not hold their position, the screws may need to be tightened. Tighten the bracket screws by holding the head. Tighten the extension latches by opening the latches and tightening the screw inside.

 **WARNING** To reduce the risk of personal injury and damage, never immerse your tool, battery pack or charger in liquid or allow a liquid to flow inside them.

Cleaning

Clean dust and debris from vents. Keep handles clean, dry and free of oil or grease. Use only mild soap and a damp cloth to clean, since certain cleaning agents and solvents are harmful to plastics and other insulated parts. Do not use sprays or solvents. Some of these include gasoline, turpentine, lacquer thinner, paint thinner, chlorinated cleaning solvents, ammonia and household detergents containing ammonia. Never use flammable or combustible solvents around tools.

ACCESSORIES

 **WARNING** Use only recommended accessories. Others may be hazardous. For a complete listing of accessories, go online to www.milwaukeetools.com.au / www.milwaukeetools.co.nz or contact a distributor.

WARRANTY - AUSTRALIA and NEW ZEALAND

Please refer to Australian and New Zealand warranty supplied with tool. This warranty applies only to product sold by authorised dealers in Australia and New Zealand.

SERVICE - AUSTRALIA and NEW ZEALAND

MILWAUKEE® prides itself in producing a premium quality product that is Nothing But Heavy Duty™. Your satisfaction with our products is very important to us! If you encounter any problems with the operation of this tool, please contact your authorised **MILWAUKEE®** dealer.

For a list of **MILWAUKEE®** dealers, guarantee or service agents please contact **MILWAUKEE®** Customer Service or visit our website.

(Australia Toll Free Telephone Number 1300 645 928)

(New Zealand Toll Free Telephone Number 0800 645 928)

or visit milwaukeetool.com.au/milwaukeetool.co.nz.

Milwaukee Electric Tool Corporation

13135 West Lisbon Road, Brookfield, Wisconsin U.S.A. 53005

Milwaukee Tool (Australia)

26 - 40 Nina Link, Dandenong South,
Victoria, 3175, Australia

Milwaukee Tool (New Zealand)

274 Church Street, Penrose,
Auckland, 1061, New Zealand

DESIGNED BY MILWAUKEE ELECTRIC TOOL CORP.

PROFESSIONALLY MADE IN CHINA

PRINTED IN CHINA