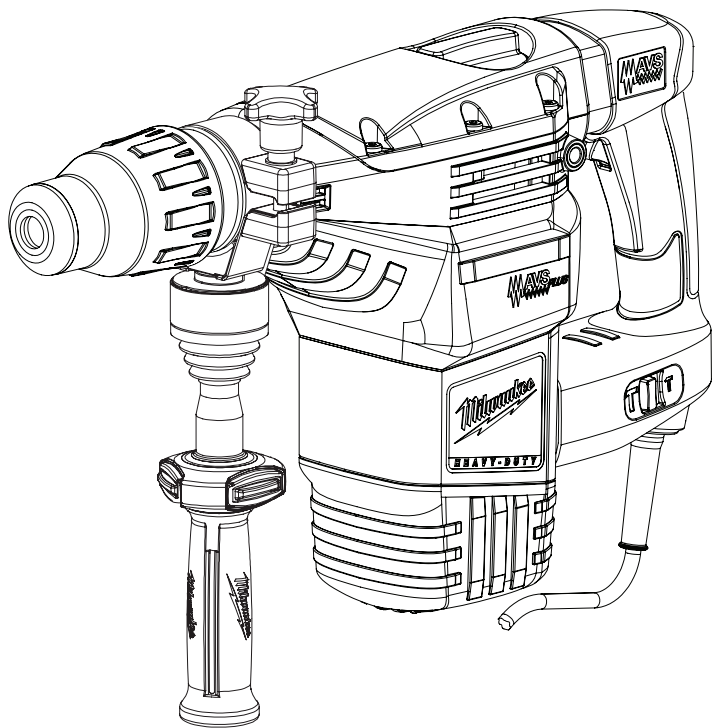




OPERATOR'S MANUAL




Cat. No.

K 750 S



1,550W 50MM SDS MAX ROTARY HAMMER

WARNING

 To reduce the risk of injury, user must read and understand operator's manual.

GENERAL POWER TOOL SAFETY WARNINGS

WARNING Read all safety warnings, instructions, illustrations and specifications provided with this power tool. Failure to follow all instructions listed below may result in electric shock, fire and/or serious injury. **Save all warnings and instructions for future reference.** The term "power tool" in the warnings refers to your mains-operated (corded) power tool or battery-operated (cordless) power tool.

WORK AREA SAFETY

- **Keep work area clean and well lit.** Cluttered or dark areas invite accidents.
- **Do not operate power tools in explosive atmospheres, such as in the presence of flammable liquids, gases or dust.** Power tools create sparks which may ignite the dust or fumes.
- **Keep children and bystanders away while operating a power tool.** Distractions can cause you to lose control.

ELECTRICAL SAFETY

- **Power tool plugs must match the outlet. Never modify the plug in any way. Do not use any adapter plugs with earthed (grounded) power tools.** Unmodified plugs and matching outlets will reduce risk of electric shock.
- **Avoid body contact with earthed or grounded surfaces, such as pipes, radiators, ranges and refrigerators.** There is an increased risk of electric shock if your body is earthed or grounded.
- **Do not expose power tools to rain or wet conditions.** Water entering a power tool will increase the risk of electric shock.
- **Do not abuse the cord. Never use the cord for carrying, pulling or unplugging the power tool. Keep cord away from heat, oil, sharp edges or moving parts.** Damaged or entangled cords increase the risk of electric shock.
- **When operating a power tool outdoors, use an extension cord suitable for outdoor use.** Use of a cord suitable for outdoor use reduces the risk of electric shock.
- **If operating a power tool in a damp location is unavoidable, use a residual current device (RCD) protected supply.** Use of a RCD reduces the risk of electric shock.

PERSONAL SAFETY

- **Stay alert, watch what you are doing and use common sense when operating a power tool. Do not use a power tool while you are tired or under the influence of drugs, alcohol or medication.** A moment of inattention while operating power tools may result in serious personal injury.
- **Use personal protective equipment. Always wear eye protection.** Protective equipment such as a dust mask, non-skid safety shoes, hard hat or hearing protection used for appropriate conditions will reduce personal injuries.
- **Prevent unintentional starting. Ensure the switch is in the off-position before connecting to power source and/or battery pack, picking up or carrying the tool.** Carrying power tools with your finger on the switch or energising power tools that have the switch on invites accidents.

- **Remove any adjusting key or wrench before turning the power tool on.** A wrench or a key left attached to a rotating part of the power tool may result in personal injury.
- **Do not overreach. Keep proper footing and balance at all times.** This enables better control of the power tool in unexpected situations.
- **Dress properly. Do not wear loose clothing or jewellery. Keep your hair and clothing away from moving parts.** Loose clothes, jewellery or long hair can be caught in moving parts.
- **If devices are provided for the connection of dust extraction and collection facilities, ensure these are connected and properly used.** Use of dust collection can reduce dust-related hazards.
- **Do not let familiarity gained from frequent use of tools allow you to become complacent and ignore tool safety principles.** A careless action can cause severe injury within a fraction of a second.

POWER TOOL USE AND CARE

- **Do not force the power tool. Use the correct power tool for your application.** The correct power tool will do the job better and safer at the rate for which it was designed.
- **Do not use the power tool if the switch does not turn it on and off.** Any power tool that cannot be controlled with the switch is dangerous and must be repaired.
- **Disconnect the plug from the power source and/ or remove the battery pack, if detachable, from the power tool before making any adjustments, changing accessories, or storing power tools.** Such preventive safety measures reduce the risk of starting the power tool accidentally.
- **Store idle power tools out of the reach of children and do not allow persons unfamiliar with the power tool or these instructions to operate the power tool.** Power tools are dangerous in the hands of untrained users.
- **Maintain power tools and accessories. Check for misalignment or binding of moving parts, breakage of parts and any other condition that may affect the power tool's operation. If damaged, have the power tool repaired before use.** Many accidents are caused by poorly maintained power tools.
- **Keep cutting tools sharp and clean.** Properly maintained cutting tools with sharp cutting edges are less likely to bind and are easier to control.
- **Use the power tool, accessories and tool bits etc. in accordance with these instructions, taking into account the working conditions and the work to be performed.** Use of the power tool for operations different from those intended could result in a hazardous situation.
- **Keep handles and grasping surfaces dry, clean and free from oil and grease.** Slippery handles and grasping surfaces do not allow for safe handling and control of the tool in unexpected situations.

SERVICE

- **Have your power tool serviced by a qualified repair person using only identical replacement parts.** This will ensure that the safety of the power tool is maintained.

SPECIFIC SAFETY RULES FOR ROTARY HAMMERS

Safety instructions for all operations

- **Wear ear protectors.** Exposure to noise can cause hearing loss.
- **Use auxiliary handle(s), if supplied with the tool.** Loss of control can cause personal injury.
- **Hold the power tool by insulated gripping surfaces, when performing an operation where the cutting accessory may contact hidden wiring or its own cord.** Cutting accessory contacting a "live" wire may make exposed metal parts of the power tool "live" and could give the operator an electric shock.
- **Keep hands away from all cutting edges and moving parts.**

Safety instructions when using long drill bits

- **Always start drilling at low speed and with the bit tip in contact with the workpiece.** At higher speeds, the bit is likely to bend if allowed to rotate freely without contacting the workpiece, resulting in personal injury.
- **Apply pressure only in direct line with the bit and do not apply excessive pressure.** Bits can bend, causing breakage or loss of control, resulting in personal injury.

WARNING To reduce the risk of injury, when working in dusty situations, wear appropriate respiratory protection or use a suitable dust extraction solution.

- **Cut embedded rebar only if this operation does not affect the integrity of the building. If in doubt, consult a structural engineer. Tool operator fully responsible for adverse structural effects.**

- **Always use common sense and be cautious when using tools.** It is not possible to anticipate every situation that could result in a dangerous outcome. Do not use this tool if you do not understand these operating instructions or you feel the work is beyond your capability; contact **MILWAUKEE®** Tool or a trained professional for additional information or training.

- **Maintain labels and nameplates.** These carry important information. If unreadable or missing, contact a **MILWAUKEE®** service facility for a replacement.

- **Switch the device off immediately if the bit stalls!** Do not switch the device on again while the bit is jammed, as doing so could trigger a sudden recoil with a high reactive force. Determine why the bit is jammed and rectify this, paying heed to the safety instructions.

The possible causes may be:

- it is tilted in the workpiece
- it has pierced through the material
- the power tool is overloaded
- Do not reach into the machine while it is running.
- The bit is sharp-edged and can become hot during use.

WARNING Danger of cuts and burns

- when handling the bit
- when setting the device down.
- Wear protective gloves when handling bits.
- Chips and splinters must not be removed while the machine is running.
- Keep mains lead clear from working range of the machine. Always lead the cable away behind you.
- When working in walls ceiling, or floor, take care to avoid electric cables and gas or waterpipes.
- Clamp your workpiece with a clamping device. Unclamped workpieces can cause severe injury and damage.
- Always disconnect the plug from the socket before carrying out any work on the machine.
- When working with large drill diameters, the side handle must be fastened at a right angle with the main handle.

WARNING Some dust created by power sanding, sawing, grinding, drilling, and other construction activities contains chemicals known to cause cancer, birth defects or other reproductive harm. Some examples of these chemicals are:

- lead from lead-based paint
- crystalline silica from bricks and cement and other masonry products, and
- arsenic and chromium from chemically-treated lumber.

Your risk from these exposures varies, depending on how often you do this type of work. To reduce your exposure to these chemicals: work in a well ventilated area, and work with approved safety equipment, such as those dust masks that are specially designed to filter out microscopic particles.

SPECIFICATIONS

Cat. No.	K 750 S
Volts.....	220-240 V AC
Frequency.....	50-60 Hz
Input Wattage.....	1,550 W
No-Load RPM.....	0-300
BPM.....	0-2,740
Reception.....	SDS-Max
Chuck neck diameter.....	66 mm (2-5/8")
Drilling capacity in concrete.....	50 mm (2")
Tunnel bit in concrete, bricks and limestone.....	80 mm (3-1/8")
Core cutter in concrete, bricks and limestone.....	150 mm (6")
Recommended Ambient Operating Temperature.....	5°C to 40°C

SYMBOLOLOGY



Volts



Alternating Current



Amps

n_r XXXX min⁻¹

No Load Revolutions per Minute (RPM)

BPM

Blows per Minute (BPM)



Anti-Vibration System



Class II tool, double insulation



Read Operator's Manual



Wear Personal Protective Equipment.



▲WARNING Risk of Electric Shock

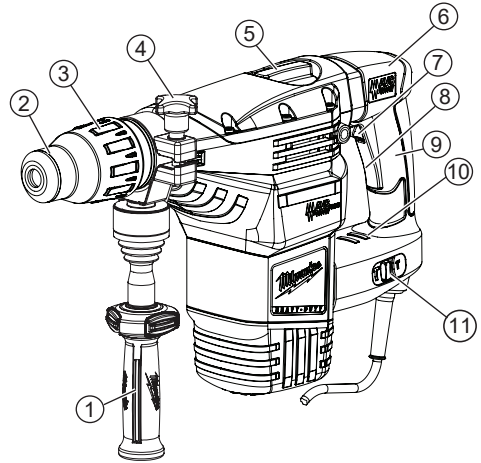


Regulatory Compliance Mark (RCM). This product meets applicable regulatory requirements.



Do not dispose of electric tools together with household waste material. Electric tools and electronic equipment that have reached the end of their life must be collected separately and returned to an environmentally compatible recycling facility.

FUNCTIONAL DESCRIPTION



- | | |
|--------------------------|---------------------------|
| 1. Side handle | 7. Unlock button |
| 2. Bit holder | 8. Trigger |
| 3. Bit release collar | 9. Handle |
| 4. Side handle knob | 10. Service indicator |
| 5. Mode selector knob | 11. Speed adjustment knob |
| 6. Anti-vibration system | |

ASSEMBLY

▲WARNING To reduce the risk of injury, always unplug tool before changing or removing accessories. Only use accessories specifically recommended for this tool. Others may be hazardous. Always use a side handle when using this tool. Always brace or hold securely.

Adjusting the Side Handle Position

1. Loosen the side handle by unscrewing the side handle knob until the side handle rotates freely.
2. Rotate the side handle to the desired position.
3. Tighten the side handle knob securely.

Installing Bits and Chisels

Be sure that the shank of the bit is clean. Dirt particles may cause the bit to line up improperly. Do not use bits larger than the maximum recommended capacity of the tool (See "Specification Table") because gear damage or motor overloading may result. For best performance, be sure that the bit is properly sharpened and the shank is lightly greased before use. Use caution when handling hot bits and chisels.

SDS-Max Drive System

1. Unplug tool.
2. Insert the bit or chisel into the nose of the tool.
3. Push bit into tool until it locks.
4. Check to see that the bit is locked by tugging on it.
5. To remove bits and chisels, pull back on the bit release collar and remove bit.

OPERATION

AWARNING To reduce the risk of injury, always use personal protective equipment. Always wear eye protection marked to comply with AS/NZS 1337.1.

When working in dusty situations, wear appropriate respiratory protection or use a suitable dust extraction solution.

Always unplug tool before attaching or removing accessories or making adjustments. Use only specifically recommended accessories. Others may be hazardous.

Keep hands away from the bit and moving parts. Always use a side handle when using this tool. Always brace or hold securely.

Cut embedded rebar only if this operation does not affect the integrity of the building. If in doubt, consult a structural engineer. Tool operator fully responsible for adverse structural effects.

Selecting Action

This **MILWAUKEE**® Rotary Hammer has three settings: hammering with rotation, hammering only, and chisel adjustment.

1. Hammering with rotation. Use this setting for drilling holes with drill bits.

2. Hammering only. For use with "hammering only" accessories. Use this setting for chiseling or setting self-drilling anchors.

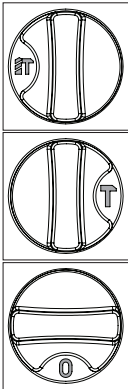
3. Chisel adjustment. Use this setting to adjust the angle of the chisel blade in relation to the tool. With a chisel mounted in the tool:

- turn the knob to this setting
- rotate the chisel to the desired angle
- turn the knob to "hammering only".

NOTE: To engage the hammering mechanism, maintain pressure on the bit. When the pressure on the bit is released, the hammering will stop.

Starting and Stopping

1. To **start** the tool, grasp the handle(s) firmly and pull the trigger.
2. To **stop** the tool, release the trigger. Make sure the tool comes to a complete stop before laying the tool down.



Operating

Position the tool, grasp the handles firmly and pull the trigger. Always hold the tool securely using both handles to maintain control. This tool has been designed to achieve top performance with only moderate pressure. Let the tool do the work.

If the speed begins to drop off when drilling large or deep holes, pull the bit partially out of the hole while the tool is running to help clear dust. Do not use water to settle the dust since it will clog the bit flutes and tend to make the bit bind in the hole. If the bit should bind, a built-in, non-adjustable slip clutch prevents the bit from turning. If this occurs, stop the tool, free the bit and begin again.

NOTE: The tool will shut off and the service indicator will flash if the handle begins to rotate during use. Cycle through the trigger to continue operating.

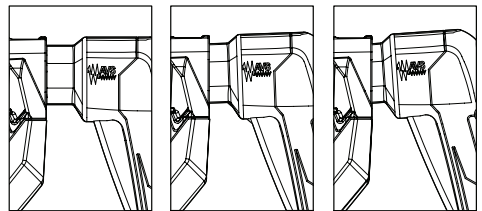
AWARNING Applying greater pressure does not increase the tool's effectiveness. If the applied working pressure is too high, the shock absorber will be pushed together making the vibrations to the handle noticeably stronger.

Operator Force

The Anti-Vibration System (AVS) provides the operator with comfort without sacrificing power or performance.

Ideal operator force compresses the bellows slightly and allows the tool to work aggressively while the handle remains steady.

Excessive force compresses the bellows significantly and reduces vibration dampening. Users will be able to feel the difference and should adjust the force to the handle accordingly.



Too little force

Correct force

Too much force

Cold Starting

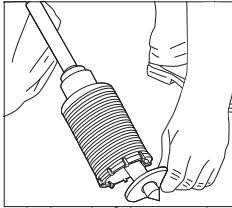
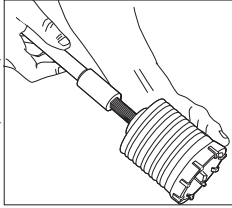
If this tool is stored for a long period of time or at cold temperatures, it may not hammer initially because the lubrication has become stiff. To warm up the tool:

1. Insert and lock a bit or chisel into the tool.
2. Pull the trigger and apply force to the bit or chisel against a concrete or wood surface for a few seconds. Release the trigger.
3. Repeat until the tool starts hammering. The colder the tool is, the longer it will take to warm up.

Using Rotary Percussion Core Bits

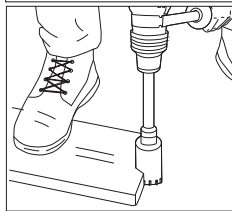
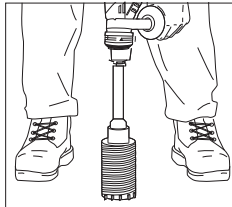
Core Bits are useful for drilling large or long holes in concrete. **MILWAUKEE®** Heavy-Duty Core Bits have heat-treated steel bodies with durable carbide tips. These core bits are specially designed for fast, accurate drilling with combined hammering and rotary action.

1. Clean and lubricate the threads on the adaptor and core bit to make later removal easier. Thread the adaptor shank to the rear of the core bit.
2. Push the guide plate onto the pointed end of the centre pin. Insert the centre pin and guide plate assembly into the core bit. Be sure the small end of the centre pin is securely placed into the hole in the centre of the core bit. For LHS systems, screw the threaded end of the centring bit into the core bit.



NOTE: If using an extension, first thread the adaptor shank to the extension. Then thread the core bit to the extension.

3. Insert the adaptor into the nose of the tool as described in "Installing Bits and Chisels". Set the knob to the "hammering with rotation" setting.
4. Press the centring bit firmly against your centre mark, hold the tool firmly and pull the trigger.



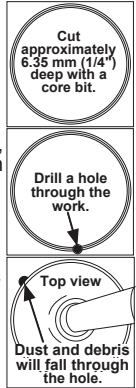
5. Start the tool. After drilling to about the depth of the core bit teeth, remove the centre pin and guide plate from the core bit (not necessary for LHS system). Resume drilling.

6. To change the core bit, hold the tool upwards, pointing it away from your body, and run it briefly in forward to loosen the core bit from the adaptor. **NOTE:** To make deeper holes, remove the core bit, break and remove the core, then resume drilling. When drilling long or deep holes, after each 25 mm (1") of penetration pull the bit partially out of the hole while the tool is running, to help clear dust from the bit flutes. Dust can clog the bit flutes and can make the bit bind in the hole. If this occurs, stop the tool, free the bit and begin again.

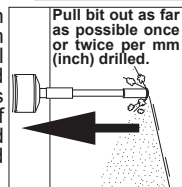
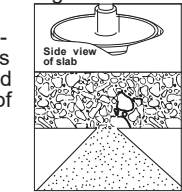
Drilling Large Diameter Holes with Core Bits

When drilling holes with large diameter core bits, dust may build up in the cut and can cause the tool to stall, bind, or cut slowly. By creating an opening for the dust to escape, drilling time, bit stress, and tool stress can be reduced.

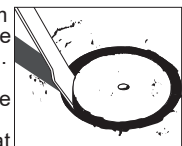
1. Start the cut as normal.
2. Once the bit is firmly established in the cut (about 6.35 mm (1/4") deep), remove the bit from the cut.
3. Remove the bit from the tool.
4. Install a standard fluted bit, approximately 22.2 mm (7/8") in diameter, onto the tool.
5. Drill a perpendicular hole through the kerf of the large hole.
 - Depending on the location of the work, the hole should either break through the other side of the hole/floor or extend 101.6 mm - 127 mm (4"-5") past the end of the workpiece (such as into the dirt below a concrete slab).
 - If dust builds up in the hole, vacuum it out and continue drilling.
 - If drilling through a wall, the hole for dust should be drilled on the lowest part of the large hole kerf as the dust will fall there when drilling and can be easily removed.
6. Reinstall the core bit and continue drilling. Dust and debris will fall through the hole and optimise the cutting ability of the bit.



NOTE: If unable to drill a hole in the kerf, pull back on the bit with the hammer running. This will remove some of the dust and debris from the cut. Repeat this for every 25 mm (1") of drilling. If necessary, vacuum dust and debris from the cut and surrounding area.



7. For core bits, once the maximum core bit depth is drilled, the core must be broken and removed.
 - Install a chisel bit.
 - Place the chisel into the hole kerf.
 - Chisel down into the kerf at several points until the core is loose or broken.
 - Remove the core and vacuum/remove any remaining dust and debris.
 - Install the core bit and continue the cut.
- ⚠ WARNING** To reduce the risk of personal injury and damage to the tool or work:
- Always use the "hammering only" setting to set the anchor. Never use the "hammering with rotation" setting to set the anchor.
 - Never switch the tool to "hammering with rotation" until after the anchor has been set and the tooth anchor chuck has been removed from the anchor.



Chiseling and Chipping

MILWAUKEE® Rotary Hammers may be used for chipping and chiseling.

When chiseling, hold the tool at an angle to the workpiece. Work from a corner or close to the edge of the workpiece, breaking off one small area at a time rather than attempting too large an area.

A variety of accessories are available.

MAINTENANCE

⚠WARNING To reduce the risk of injury, always unplug the tool before performing any maintenance. Never disassemble the tool. Contact a **MILWAUKEE®** service facility for ALL repairs.

Maintaining Tool

Keep your tool in good repair by adopting a regular maintenance program. Inspect your tool for issues such as undue noise, misalignment or binding of moving parts, breakage of parts, or any other condition that may affect the tool operation. Return the tool to a **MILWAUKEE®** service facility for repair. If the tool does not start or operate at full power, return to a **MILWAUKEE®** service facility for repairs.

Cleaning

Clean dust and debris from vents. Keep handles clean, dry and free of oil or grease. Use only mild soap and a damp cloth to clean, since certain cleaning agents and solvents are harmful to plastics and other insulated parts. Some of these include petrol, turpentine, lacquer thinner, paint thinner, chlorinated cleaning solvents, ammonia and household detergents containing ammonia. Never use flammable or combustible solvents around tools.

Repairs

For repairs, return the tool to the nearest authorised service centre.

ACCESSORIES

⚠WARNING Use only recommended accessories. Others may be hazardous.

For a complete listing of accessories, go online to milwaukeetool.com.au / milwaukeetool.co.nz or contact a distributor.

WARRANTY - AUSTRALIA and NEW ZEALAND

Please refer to Australian and New Zealand warranty supplied with tool. This warranty applies only to product sold by authorised dealers in Australia and New Zealand.

SERVICE - AUSTRALIA and NEW ZEALAND

MILWAUKEE® prides itself in producing a premium quality product that is Nothing But Heavy Duty™. Your satisfaction with our products is very important to us! If you encounter any problems with the operation of this tool, please contact your authorised **MILWAUKEE®** dealer.

For a list of **MILWAUKEE®** dealers, guarantee or service agents please contact **MILWAUKEE®** Customer Service or visit our website.

(Australia Toll Free Telephone Number 1300 645 928)

(New Zealand Toll Free Telephone Number 0800 645 928)

or visit milwaukeetool.com.au/milwaukeetool.co.nz.

Milwaukee Electric Tool Corporation

13135 West Lisbon Road, Brookfield, Wisconsin U.S.A. 53005

Milwaukee Tool (Australia)

26 - 40 Nina Link, Dandenong South,
Victoria, 3175, Australia

Milwaukee Tool (New Zealand)

274 Church Street, Penrose,
Auckland, 1061, New Zealand

DESIGNED BY MILWAUKEE ELECTRIC TOOL CORP.

PROFESSIONALLY MADE IN CZ.

PRINTED IN CZ.