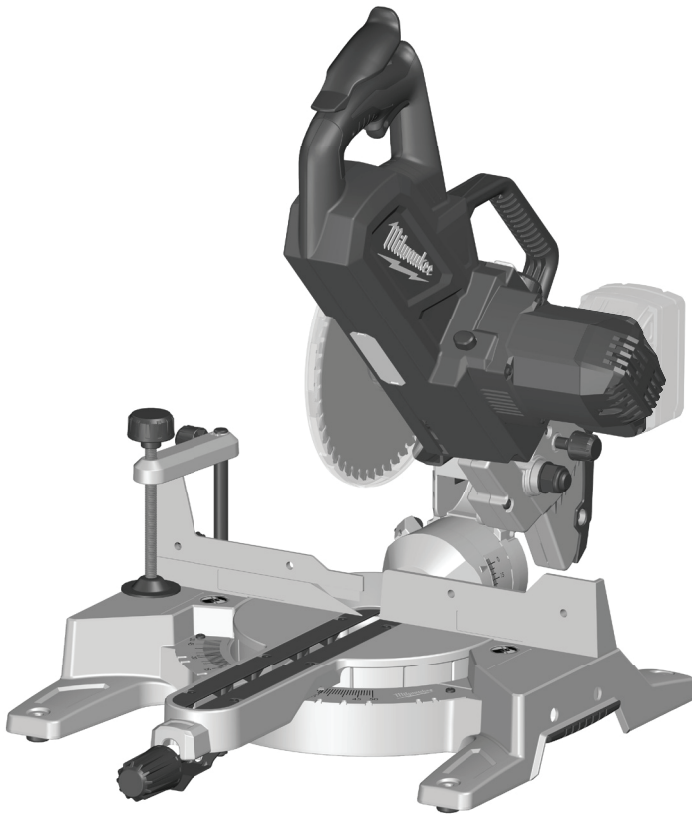




DRAFT

Nothing but **HEAVY DUTY.**



M18 SMS216

Original instructions

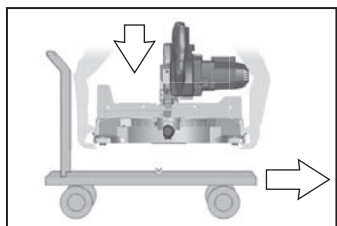
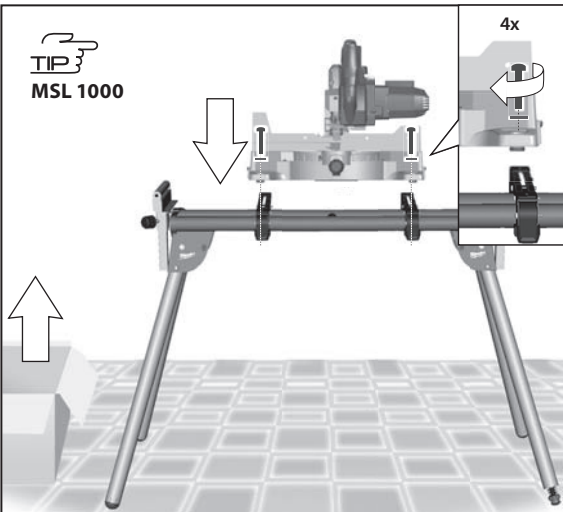
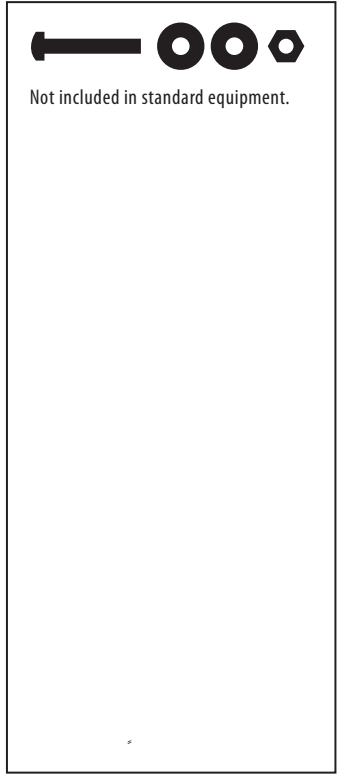
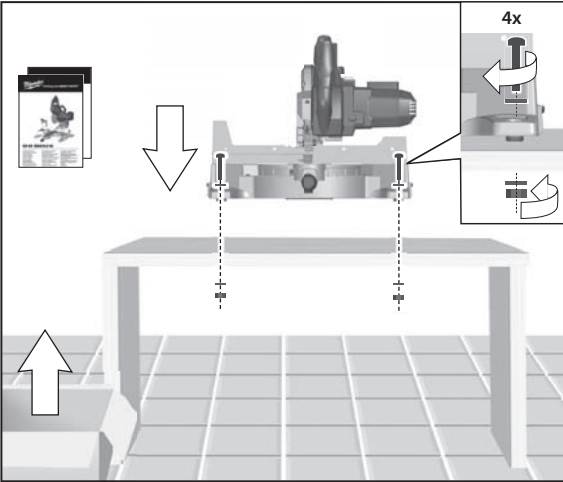
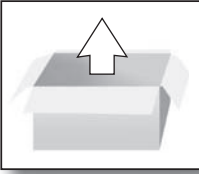


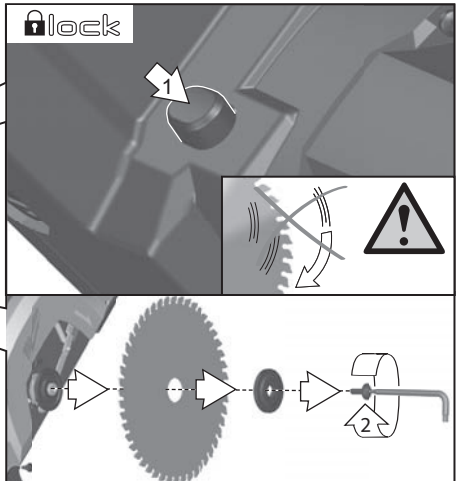
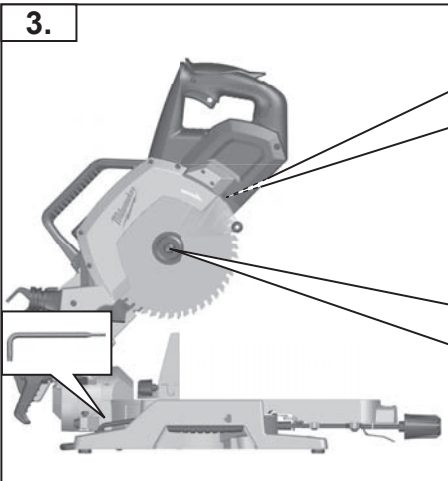
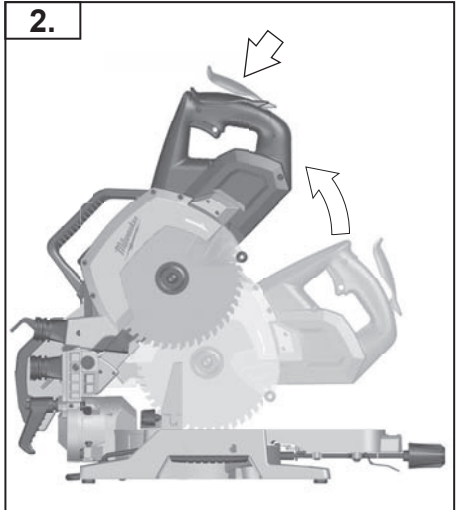
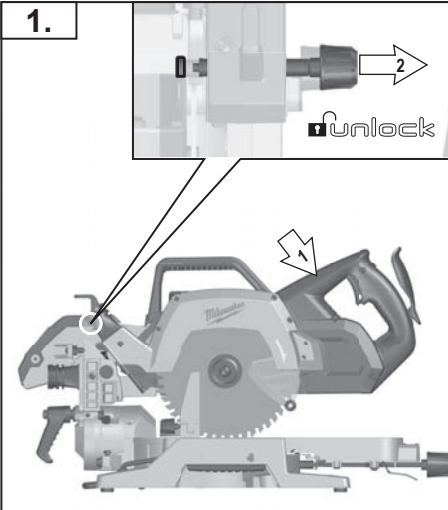
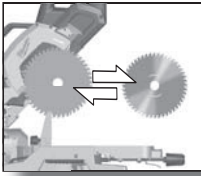
7

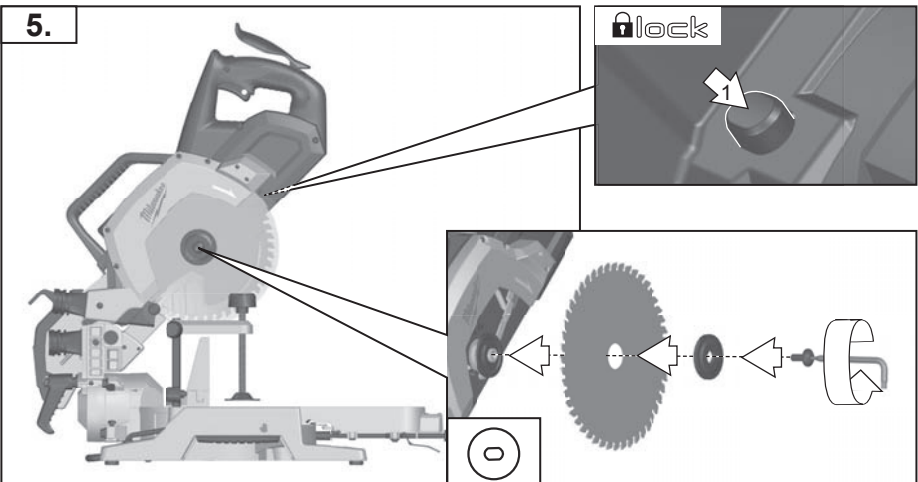
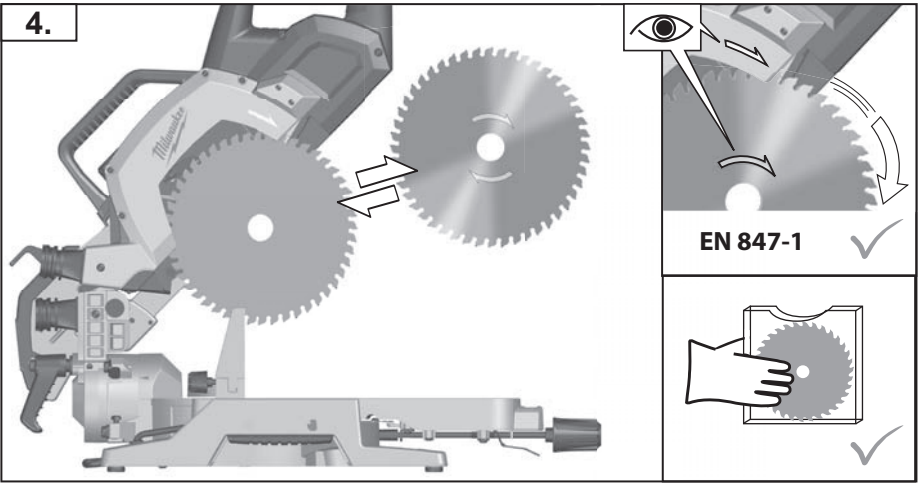
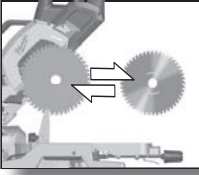


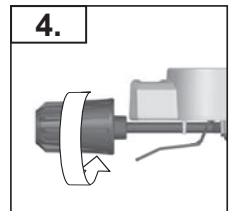
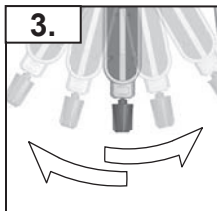
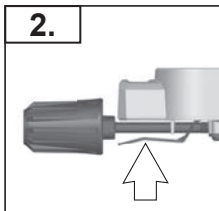
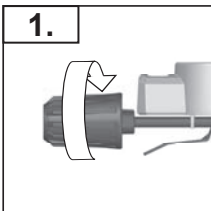
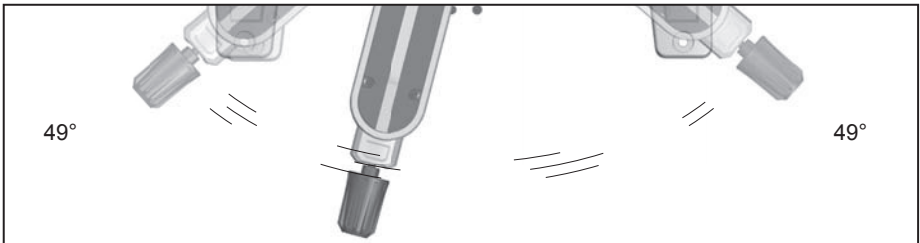
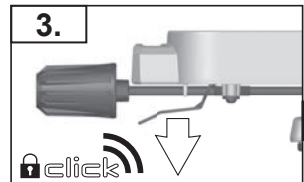
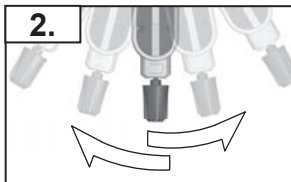
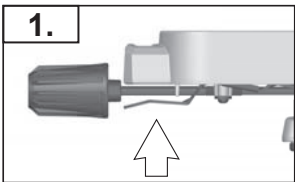
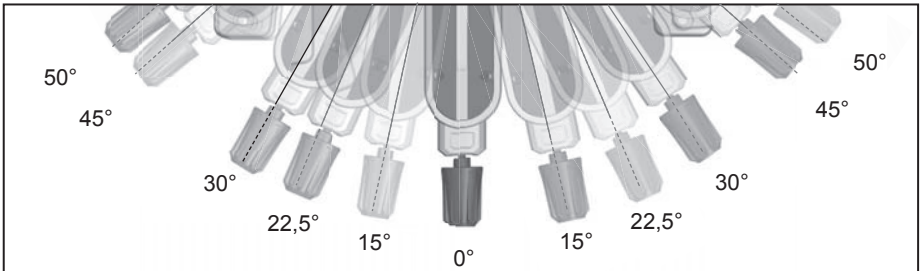
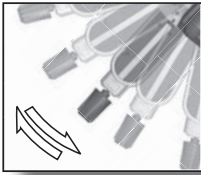
2

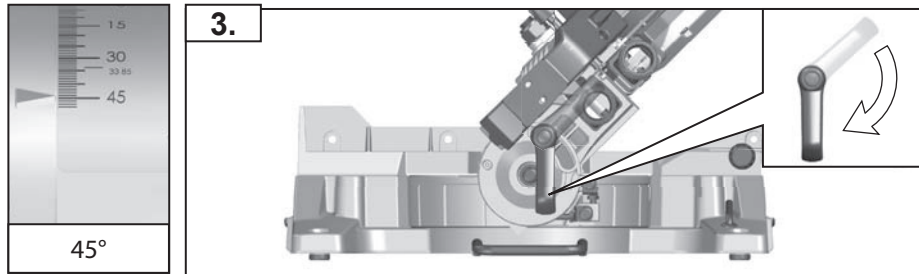
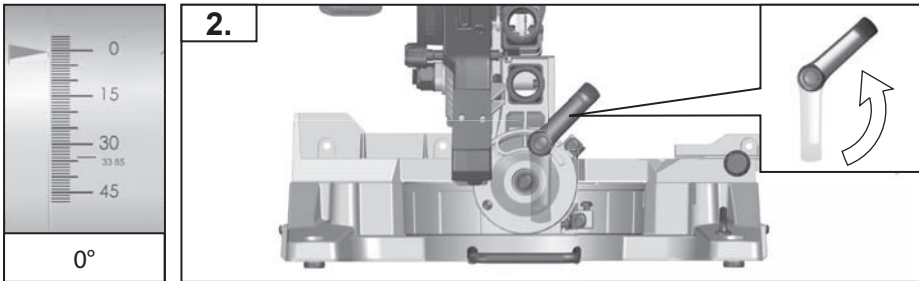
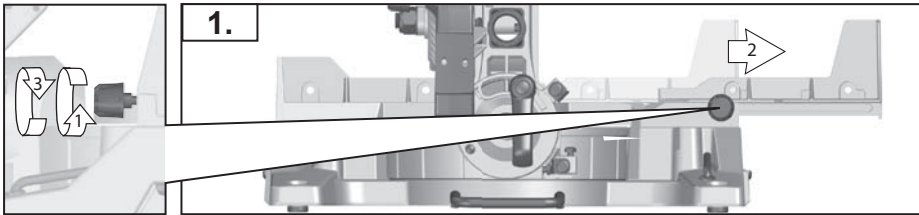
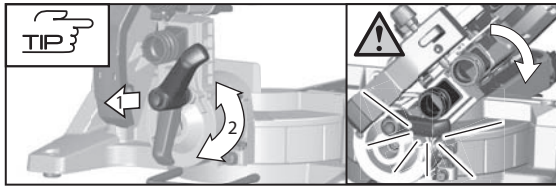
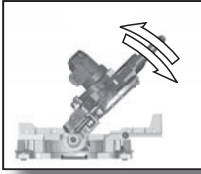


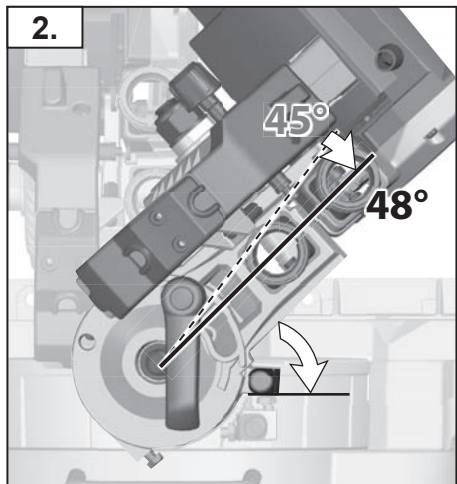
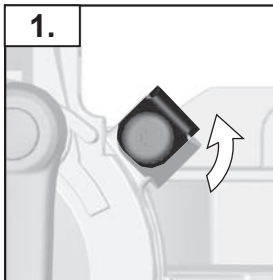
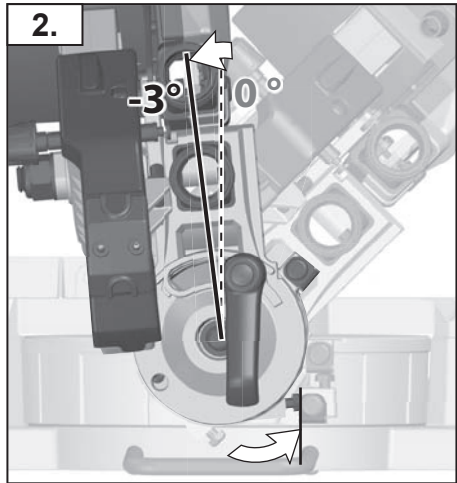
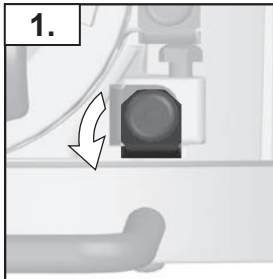
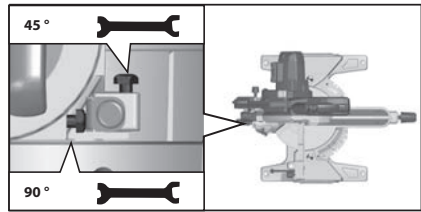
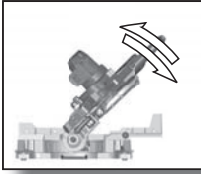


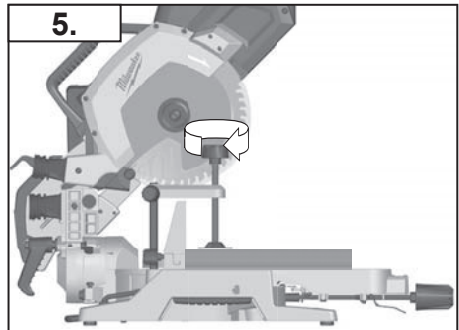
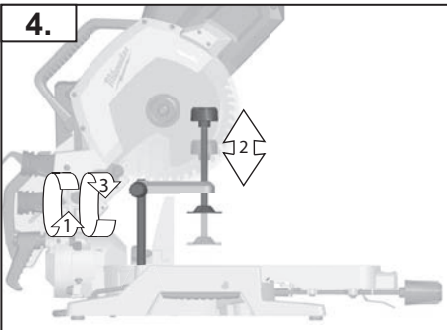
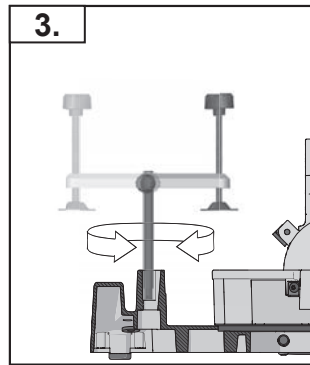
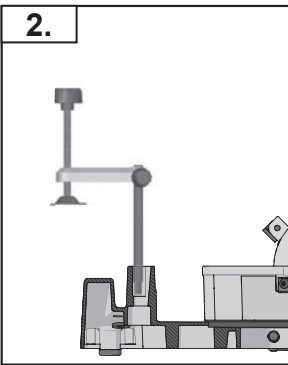
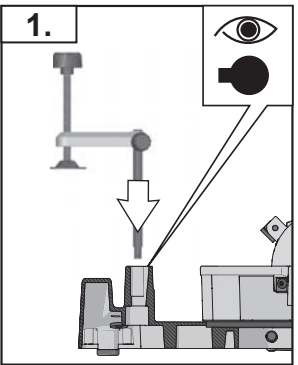
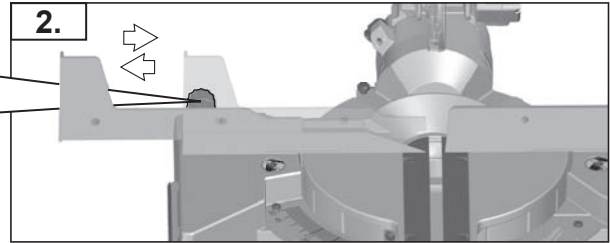
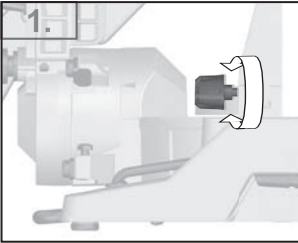


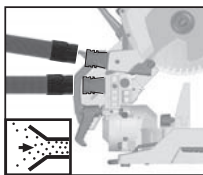






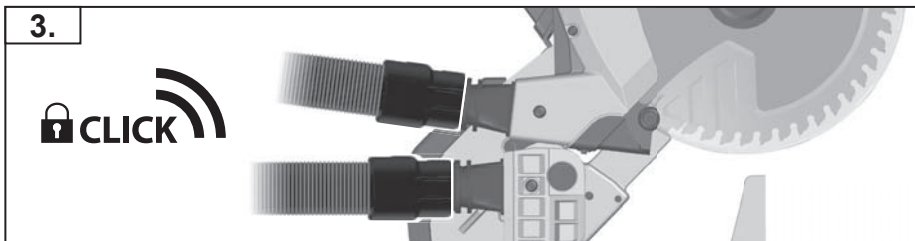
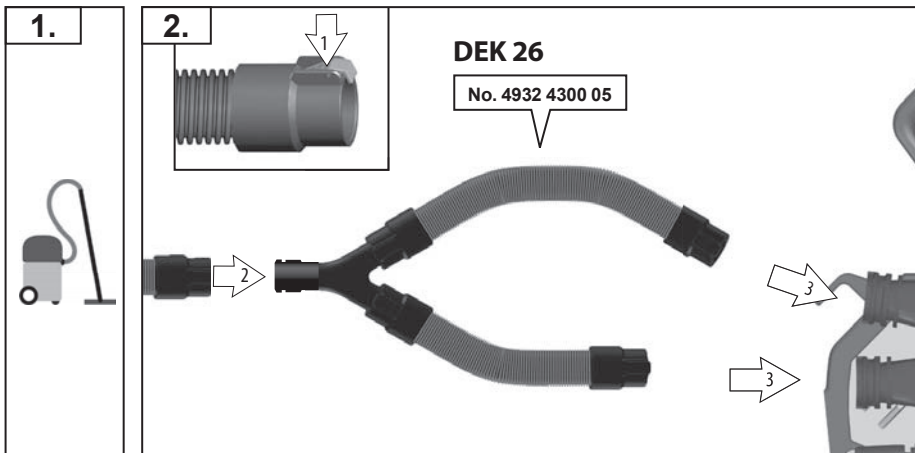


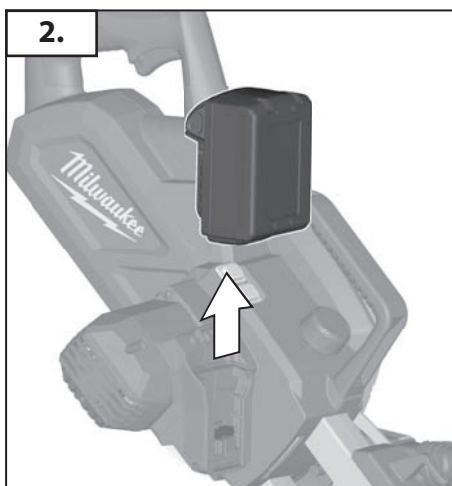
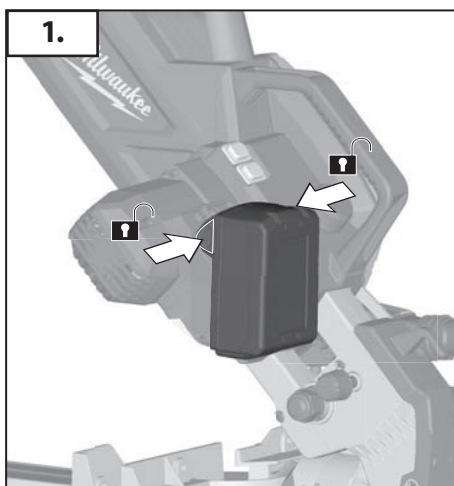
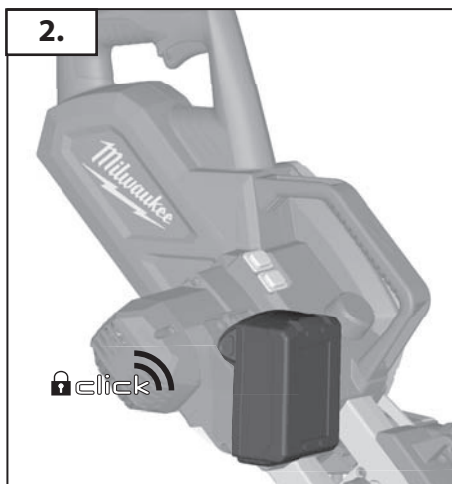
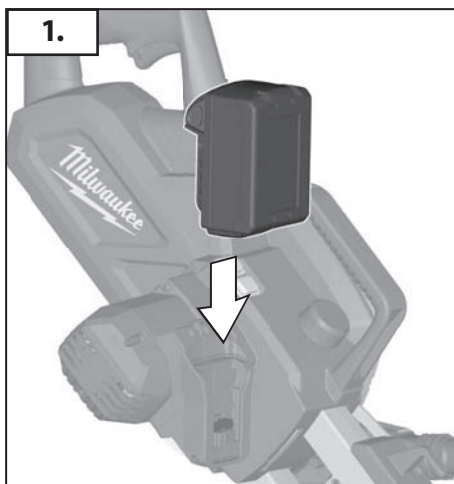


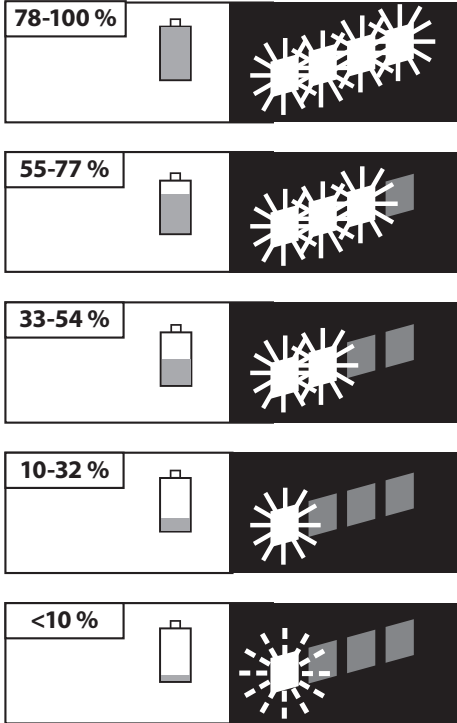
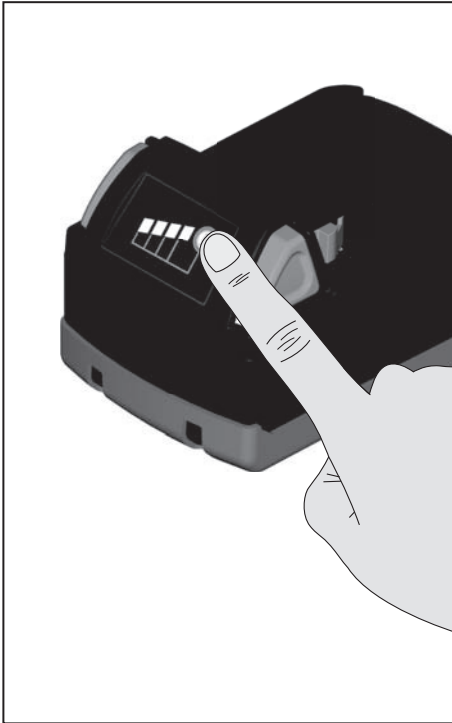


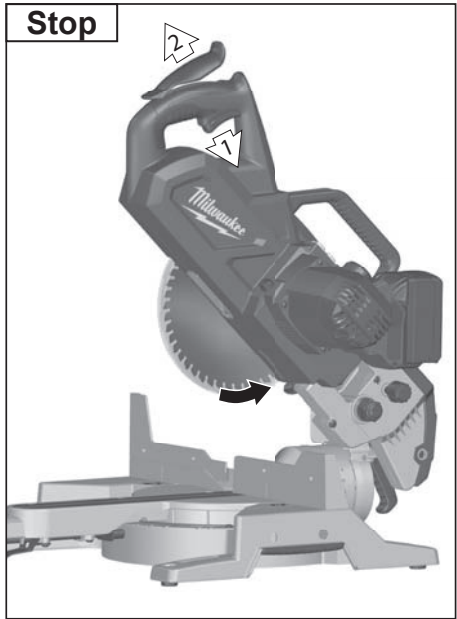
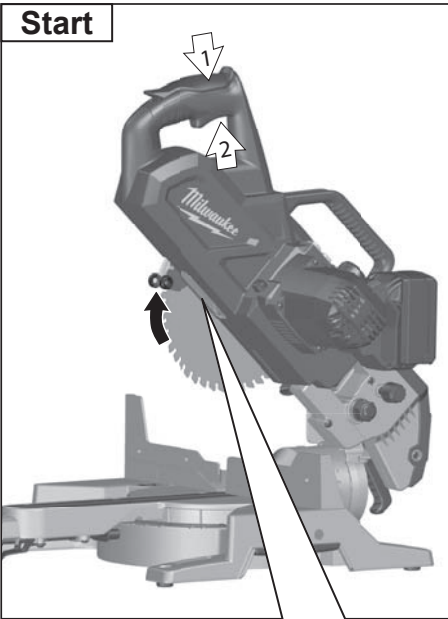


		
A	AS 2-250	4931 4472 95
B	AS 300 AS 30 AS/42	4931 4472 94

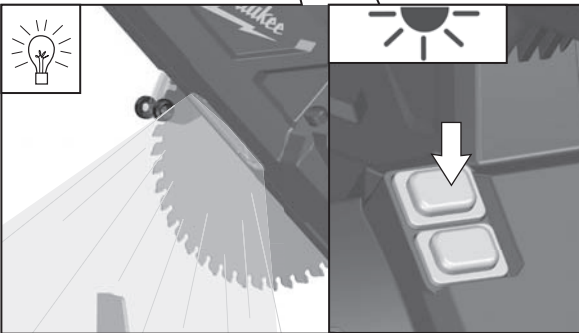


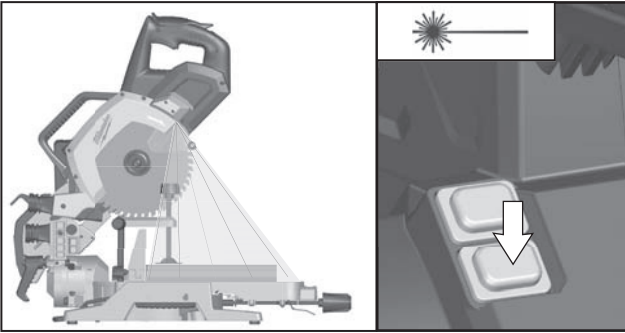
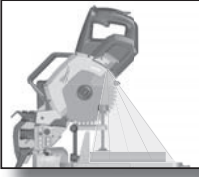


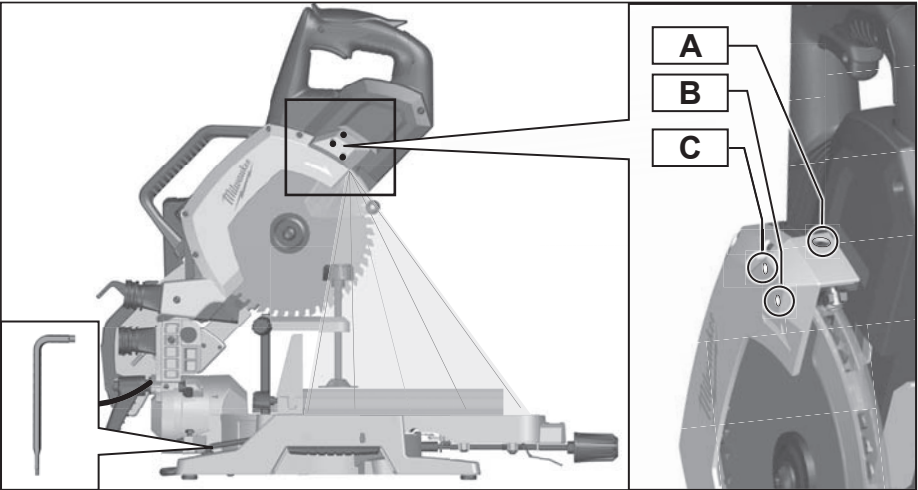
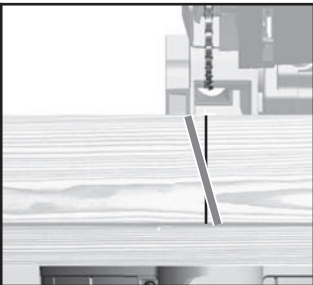
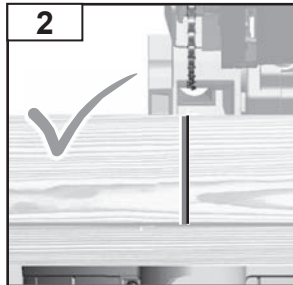
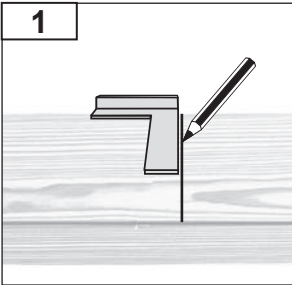
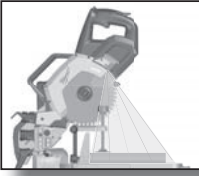


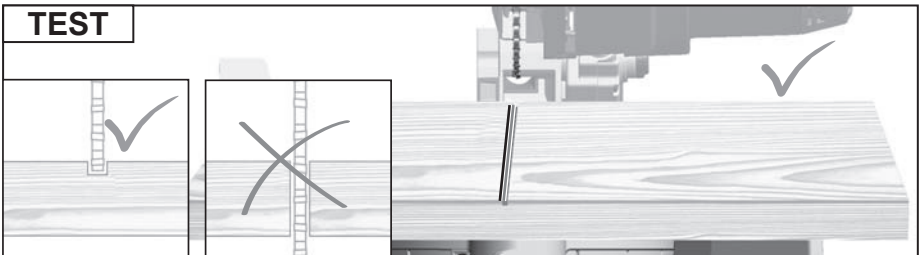
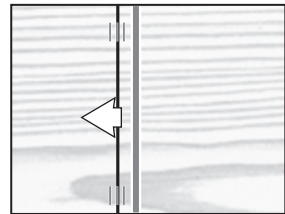
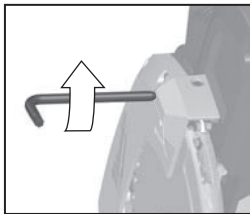
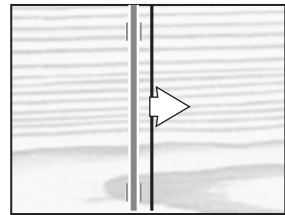
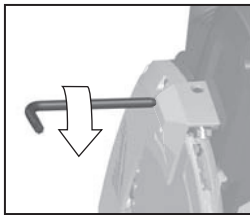
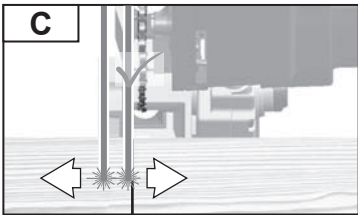
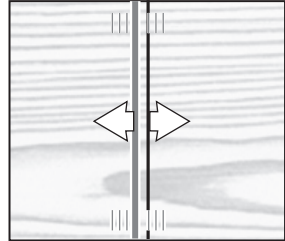
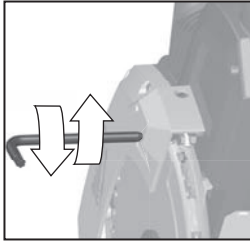
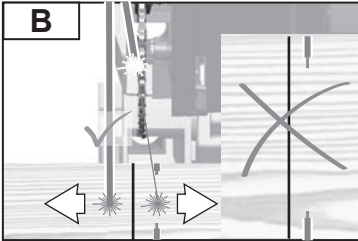
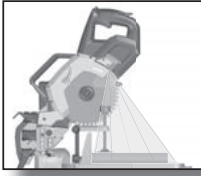


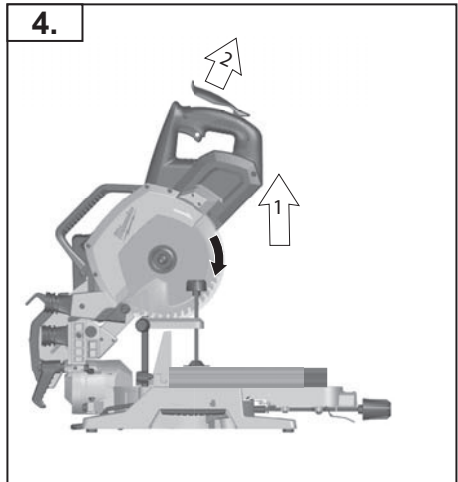
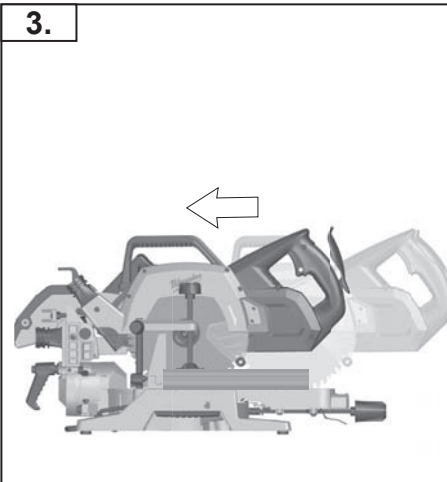
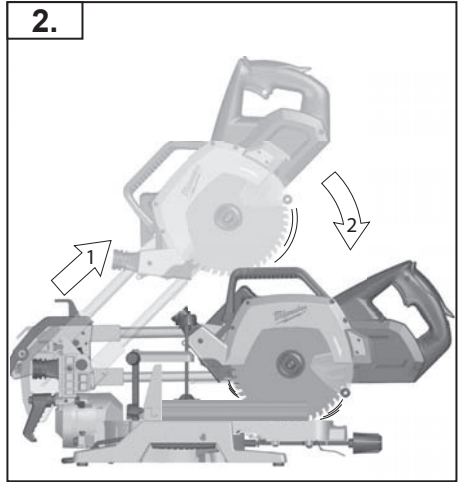
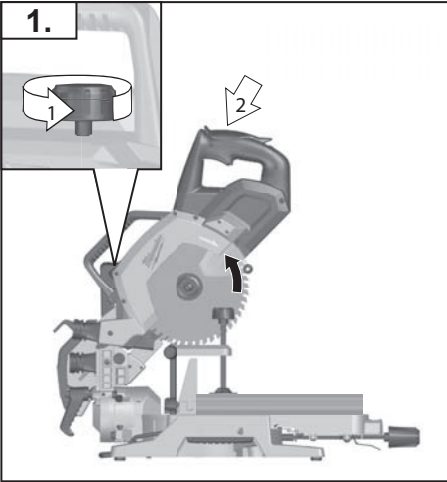
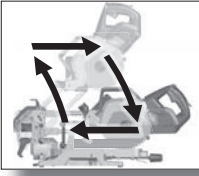
VIII
START
STOP

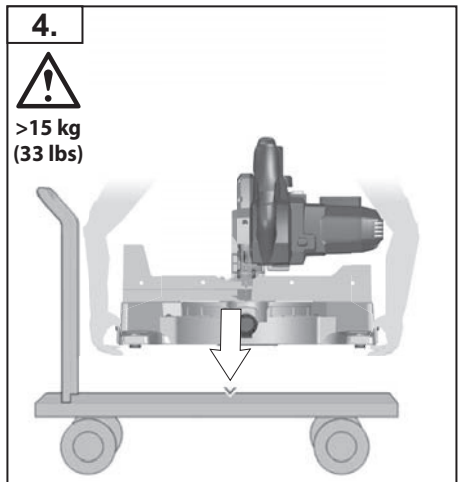
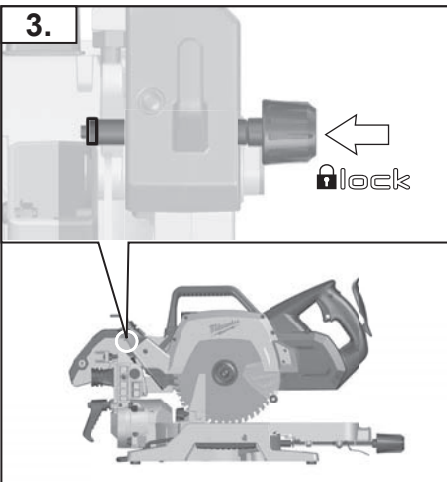
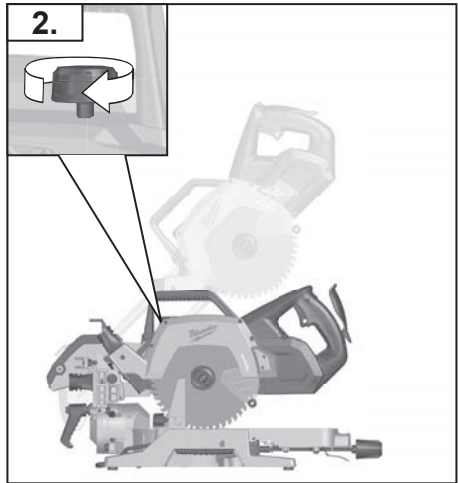
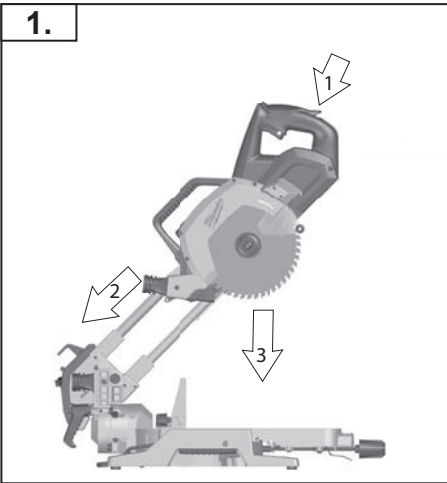
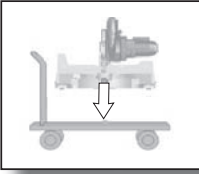


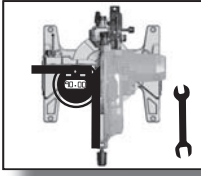




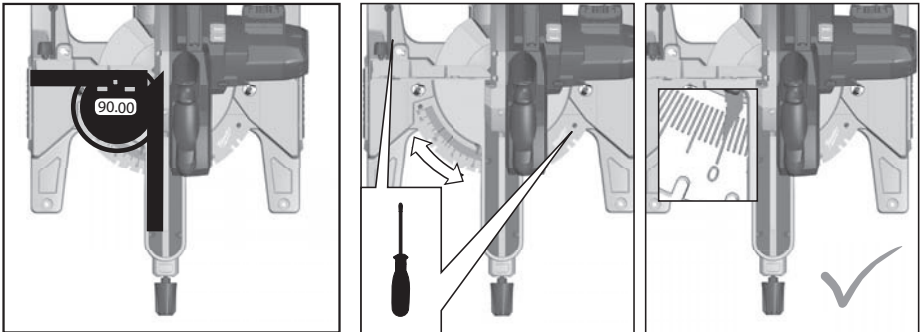


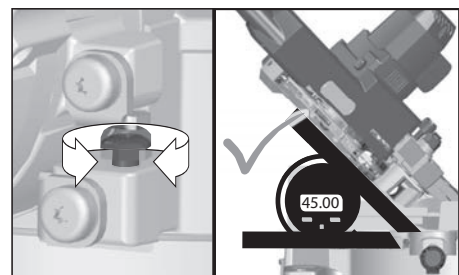
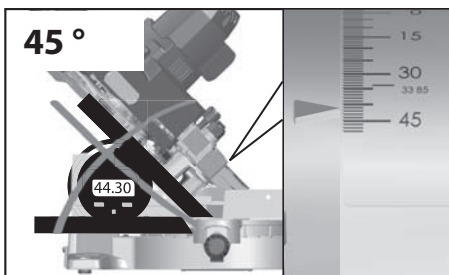
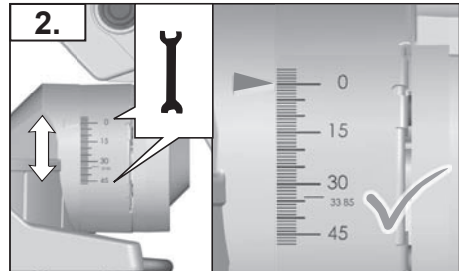
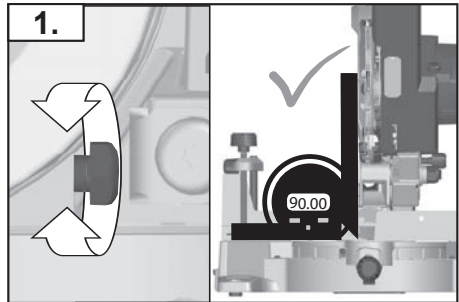
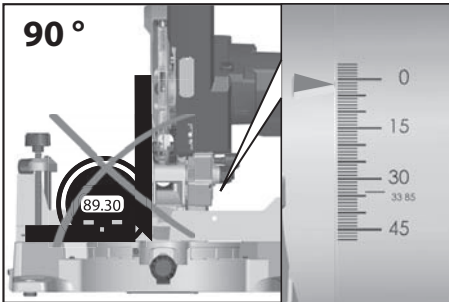
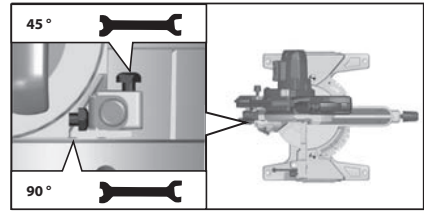
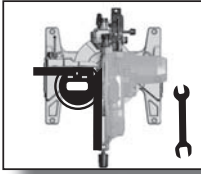


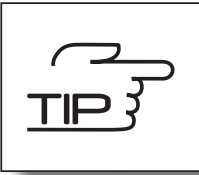




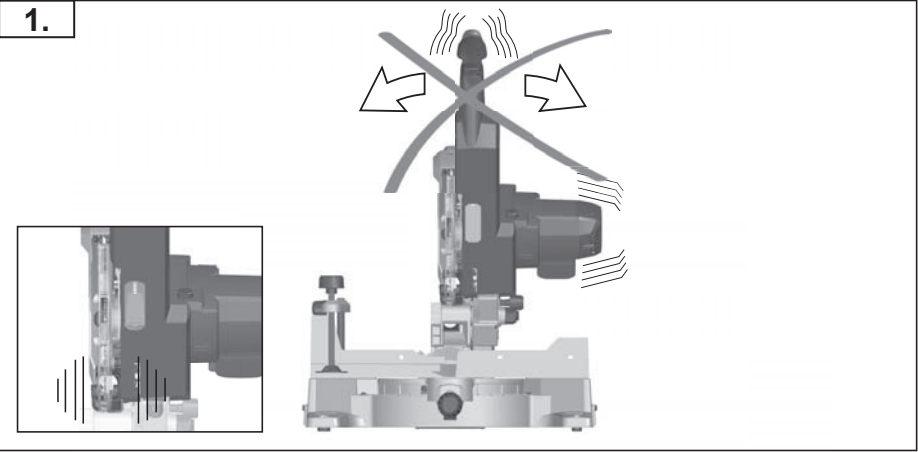
If a correction of the 90° angle of the guide-plate to the saw blade is necessary, use the correction screw.



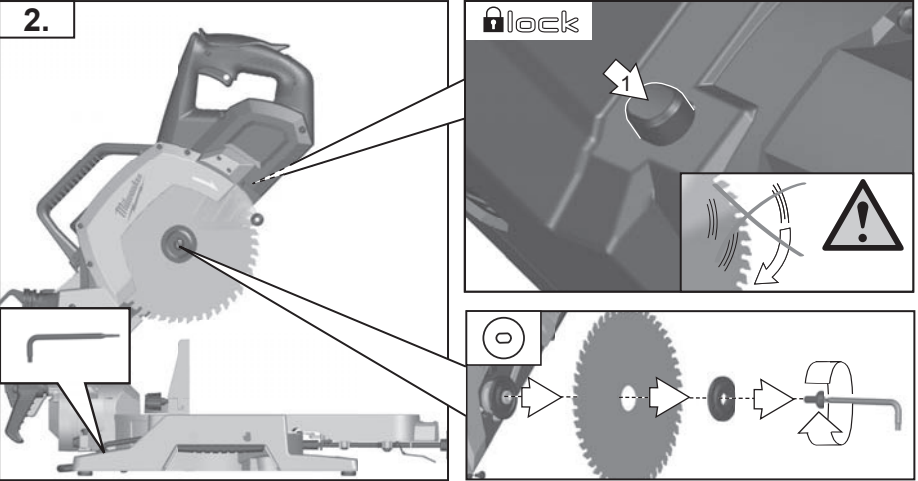


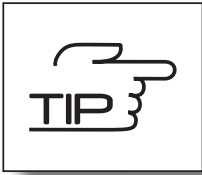


1.

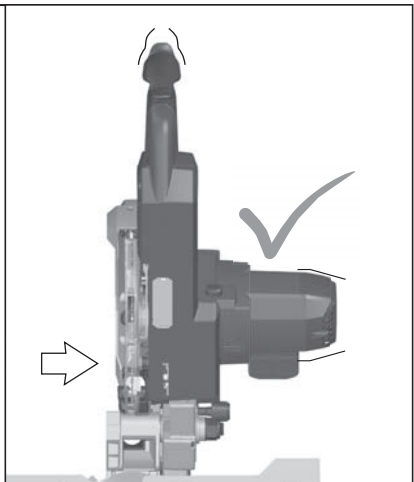
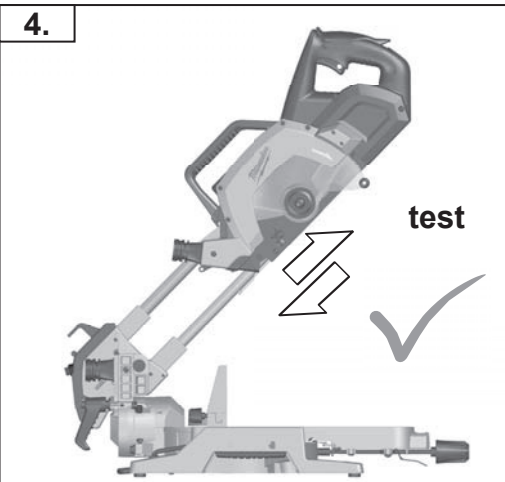
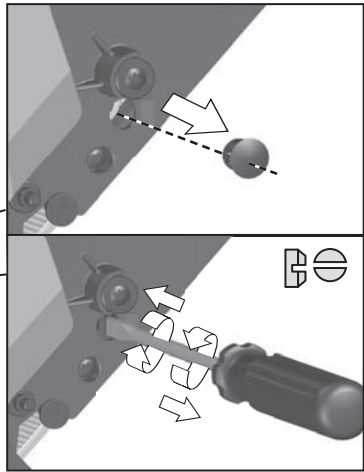
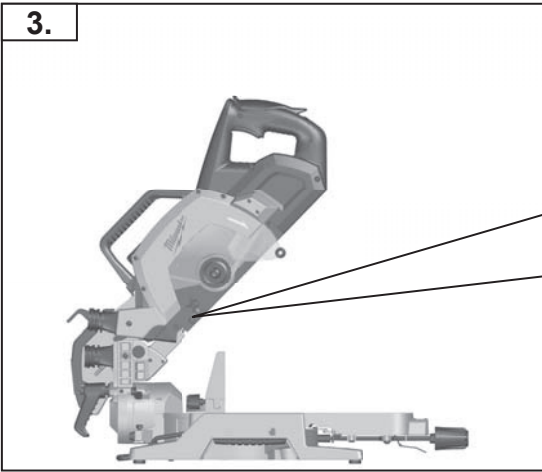


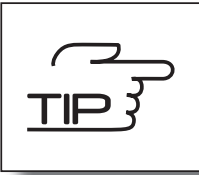
2.



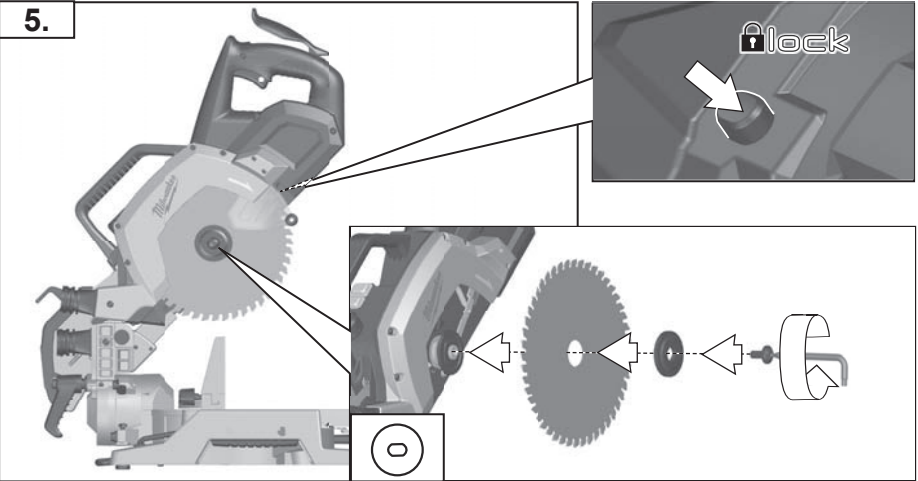


TIP
XII





5.



Technical Data Mitsresaw	M18 SMS216
No-load speed	2700 min ⁻¹
Battery voltage	18 V
Saw blade dia. x hole dia	216 x 30 mm
Saw blade thickness	1,5 mm
Cutting width max. Mitre 0°/ Bevel 0° Mitre 45°/ Bevel 0° Mitre 0°/ Bevel 45° Mitre 45°/ Bevel 45°	60 x 270 mm 60 x 190 mm 48 x 270 mm 48 x 190 mm
Min. workpiece dimensions	130 x 35 x 2 mm
Weight according EPTA-Procedure 01/2014 (Li-Ion 2,0 Ah ... 12,0 Ah) (Li-Ion 1,5 Ah ... 9,0 Ah)	14,5 kg
Noise information Measured values determined according to EN 61029. Typically, the A-weighted noise levels of the tool are: Sound pressure level (Uncertainty K=3dB(A)) Sound power level (Uncertainty K=3dB(A))	88 dB (A) 101 dB (A)
Wear ear protectors! Vibration information Vibration total values (triaxial vector sum) determined according to EN 61029 Sawing of wood: Vibration emission value a _h Uncertainty K=	1,9 m/s ² 1,5 m/s ²

WARNING

The vibration emission level given in this information sheet has been measured in accordance with a standardised test given in EN 61029 and may be used to compare one tool with another. It may be used for a preliminary assessment of exposure.

The declared vibration emission level represents the main applications of the tool. However if the tool is used for different applications, with different accessories or poorly maintained, the vibration emission may differ. This may significantly increase the exposure level over the total working period.

An estimation of the level of exposure to vibration should also take into account the times when the tool is switched off or when it is running but not actually doing the job. This may significantly reduce the exposure level over the total working period.

Identify additional safety measures to protect the operator from the effects of vibration such as: maintain the tool and the accessories, keep the hands warm, organisation of work patterns.



WARNING!

Read all safety warnings and all instructions. Failure to follow the warnings and instructions may result in electric shock, fire and/or serious injury.

Save all warnings and instructions for future reference.



MITRE SAW SAFETY WARNINGS

Wear ear protectors. Exposure to noise can cause hearing loss.

Always wear goggles when using the machine. It is recommended to wear gloves, sturdy non slipping shoes and apron.

The dust produced when using this tool may be harmful to health. Do not inhale the dust. Use a dust absorption system and wear a suitable dust protection mask. Remove deposited dust thoroughly, e.g. with a vacuum cleaner.

Connect the saw to a dust-collecting device when sawing wood.

Wear gloves!

Before using the tool please read the instructions. If possible have the tool demonstrated.

Ensure that the machine is always stable and secure (e.g. fixed to a bench)

Keep the floor area free of loose material e.g. chips and cut-offs.

Do not use saw blades which are damaged or deformed

Do not use saw blades not corresponding to the key data given in these instructions for use.

Only use tools that meet standard EN 847-1.

Do not use saw blades made of high-speed steel.

It is necessary to select a saw blade which is suitable for the material being cut.

It is essential to adhere to the maximum speed specified on the saw blade.

Transport and store the tools in a suitable receptacle;

Do not use any flanges other than those supplied or indicated in the instruction manual to secure the saw blade.

Never use the mitre saw to cut materials other than those specified in the instruction manual.

Only use the saw with guards in good working order and properly maintained, and in position.

Refrain from removing any cut-offs or other parts of the workpiece from the cutting area whilst the machine is running and the saw head is not in the rest position.

Never reach into the danger area of the machine when it is running. Always use the protective shields on the machine.

Any faults with the machine, including any related to the safeguard or the saw blades, must be reported to the persons in charge of safety as soon as the faults are discovered.

Do not clamp the protective swing guard.

Long workpieces must be adequately supported.

The handle lock must always be engaged when transporting the mitre saw.

WARNING To reduce the risk of fire, personal injury, and product damage due to a short circuit, never immerse your tool, battery pack or charger in fluid or allow a fluid to flow inside them. Corrosive or conductive fluids, such as seawater, certain industrial chemicals, and bleach or bleach containing products, etc., can cause a short circuit.

Never break open battery packs and chargers and store only in dry rooms. Keep dry at all times.

Use only System M18 chargers for charging System M18 battery packs. Do not use battery packs from other systems.

To avoid injury and damage, never immerse the tool, removable battery or charger in liquid or allow liquid to penetrate them..

ADDITIONAL BATTERY SAFETY WARNINGS



WARNING! To reduce the risk of fire, personal injury, and product damage due to a short circuit, never immerse your tool, battery pack or charger in fluid or allow a fluid to flow inside them. Corrosive or conductive fluids, such as seawater, certain industrial chemicals, and bleach or bleach-containing products, etc., can cause a short circuit.

LASER

Do not stare into beam. Do not point laser light at other persons.

Do not view directly into beam with optical instruments (binocular, telescope).

Do not point laser at reflective surfaces,

Avoid exposure to laser radiation. Laser may emit hazardous radiation.

Do not replace the installed laser with a different type. Any repairs must only be carried out by the authorized service agent.

SPECIFIED CONDITIONS OF USE

The mitre saw can be used for sawing solid wood, bonded wood, glued veneer, materials similar to wood, and plastics.

Stock having a round or irregular cross section (such as firewood) must not be cut, as it can not be securely held during cutting. When sawing thin stock layed on edge, a suitable auxiliary fence must be used for firm support.

RESIDUAL RISK

Even when the product is used as prescribed, it is still impossible to completely eliminate certain residual risk factors. The following hazards may arise in use and the operator should pay special attention to avoid the following:

- Impairment of hearing, restrict exposure and wear appropriate hearing protection.
- Measures that can be taken by operator to possibly reduce the effects of vibration and limit the amount of exposure.
- Health hazards caused by breathing dust developed when sawing wood, wear a mask if necessary.

BATTERIES

Battery packs which have not been used for some time should be recharged before use.

Temperatures in excess of 50°C (122°F) reduce the performance of the battery pack. Avoid extended exposure to heat or sunshine (risk of overheating).

The contacts of chargers and battery packs must be kept clean.

For an optimum life-time, the battery packs have to be fully charged, after use.

To obtain the longest possible battery life remove the battery pack from the charger once it is fully charged.

For battery pack storage longer than 30 days: Store the battery pack where the temperature is below 27°C and away from moisture Store the battery packs in a 30% - 50% charged condition

TRANSPORTING LITHIUM BATTERIES

Lithium-ion batteries are subject to the Dangerous Goods Legislation requirements.

Transportation of those batteries has to be done in accordance with local, national and international provisions and regulations.

The user can transport the batteries by road without further requirements.

Commercial transport of Lithium-Ion batteries by third parties is subject to Dangerous Goods regulations. Transport preparation and transport are exclusively to be carried out by appropriately trained persons and the process has to be accompanied by corresponding experts.

When transporting batteries:

Ensure that battery contact terminals are protected and insulated to prevent short circuit. Ensure that battery pack is secured against movement within packaging. Do not transport batteries that are cracked or leak. Check with forwarding company for further advice

BATTERY PACK PROTECTION

In extremely high torque, binding, stalling and short circuit situations that cause high current draw, the tool will stop for about 2 seconds and then the tool will turn OFF. To reset, release the trigger. Under extreme circumstances, the internal temperature of the battery could become too high. If this happens, the battery will shut down. To reset, release the trigger.

Under extreme circumstances, the internal temperature of the battery pack could raise too much. If this happens, the fuel gauge will flash until the battery pack cooled down. After the lights go off, the work may continue.

Place the battery on the charger to charge and reset it.

MAINTENANCE

Remove the battery pack before starting any work on the appliance.

Be sure to disconnect the tool from the power supply before attaching or removing the saw blade.

Replace the table insert when worn

Clean the tool and guarding system with clean cloths.

The ventilation slots of the machine must be kept clear at all times.

Use only *MILWAUKEE*® accessories and *MILWAUKEE*® spare parts. Should components need to be replaced which have not been described, please contact one of our *MILWAUKEE*® service agents. Contact Customer Service or visit our website for a list of guarantee/service addresses.

If needed, an exploded view of the tool can also be ordered. Please state the Article No. as well as the machine type printed on the label and order the drawing at your local service agents or directly from: customer service centre

Australia Toll Free Telephone Number: 1300 645 928

New Zealand Toll Free Telephone Number: 0800 279 624

or visit

www.milwaukeetools.com.au

www.milwaukeetools.co.nz

SYMBOLS



CAUTION! WARNING! DANGER!



Remove the battery pack before starting any work on the appliance.



Please read the instructions carefully before starting the machine.



Always wear goggles when using the machine.



Wear ear protectors!



Wear gloves!



Always keep hands away from the path of the saw blade.



Never expose tool to rain.



Do not stare into beam.



Do not view directly into beam with optical instruments (binocular, telescope).

This product corresponds to the laser class 1M in accordance with EN 60825-1:2014



Do not dispose of electric tools together with household waste material. Electric tools and electronic equipment that have reached the end of their life must be collected separately and returned to an environmentally compatible recycling facility. Check with your local authority or retailer for recycling advice and collection point.



Volts



Direct Current



No-load speed



Regulatory Compliance Mark (RCM).

Product meets applicable regulatory requirements.

WARRANTY - AUSTRALIA AND NEW ZEALAND

Please refer to the Techtronic Industries Pty. Ltd. Warranty Terms and Conditions for *MILWAUKEE*® products and accessories which is supplied with the tool or kit. This warranty applies only to product purchased from an authorised *MILWAUKEE*® dealer in Australia or New Zealand.

AUSTRALIA AND NEW ZEALAND *MILWAUKEE*® SERVICE

MILWAUKEE® prides itself in producing a premium quality product that is Nothing But Heavy Duty®. Your satisfaction with our products is very important to us! If you encounter any problems with the operation of this tool, please contact your authorised *MILWAUKEE*® dealer or service centre.

For a list of *MILWAUKEE*® dealers, guarantee or service agents please contact *MILWAUKEE*® Customer Service or visit our website.

(Australia Toll Free Telephone Number 1300 361 505)

(New Zealand Toll Free Telephone Number 0800 279 624)

or visit

www.milwaukeetools.com.au / www.milwaukeetools.co.nz.

Milwaukee Electric Tool Corporation

13135 West Lisbon Road, Brookfield, Wisconsin U.S.A. 53005

Milwaukee Tool (Australia)

21 Kelletts Road, Rowville, VIC 3178
Melbourne, Australia

Milwaukee Tool (New Zealand)

2 Landing Drive, Mangere
Auckland, 2022, New Zealand

Designed by Milwaukee Electric Tool Corp.

Professionally Made in Taiwan for Milwaukee Tool (Australia) / Milwaukee Tool (New Zealand)

Printed in Taiwan