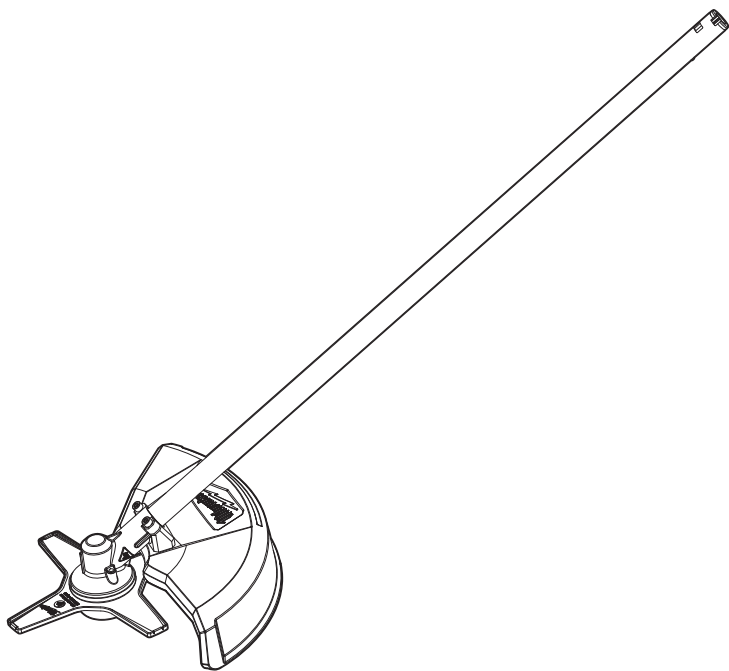




## OPERATOR'S MANUAL




Cat. No.

**M18 FOPH BCA**

**M18 FUEL™ QUIK-LOK™ BRUSHCUTTER ATTACHMENT**

 **WARNING**

 To reduce the risk of injury, user must read and understand operator's manual.

## GENERAL POWER TOOL SAFETY WARNINGS

**⚠WARNING** Read all safety warnings, instructions, illustrations and specifications provided with this power tool. Failure to follow all instructions listed below may result in electric shock, fire and/or serious injury. **Save all warnings and instructions for future reference.** The term "power tool" in the warnings refers to your mains-operated (corded) power tool or battery-operated (cordless) power tool.

### WORK AREA SAFETY

- **Keep work area clean and well lit.** Cluttered or dark areas invite accidents.
- **Do not operate power tools in explosive atmospheres, such as in the presence of flammable liquids, gases or dust.** Power tools create sparks which may ignite the dust or fumes.
- **Keep children and bystanders away while operating a power tool.** Distractions can cause you to lose control.

### ELECTRICAL SAFETY

- **Power tool plugs must match the outlet. Never modify the plug in any way. Do not use any adapter plugs with earthed (grounded) power tools.** Unmodified plugs and matching outlets will reduce risk of electric shock.
- **Avoid body contact with earthed or grounded surfaces, such as pipes, radiators, ranges and refrigerators.** There is an increased risk of electric shock if your body is earthed or grounded.
- **Do not expose power tools to rain or wet conditions.** Water entering a power tool will increase the risk of electric shock.
- **Do not abuse the cord. Never use the cord for carrying, pulling or unplugging the power tool. Keep cord away from heat, oil, sharp edges or moving parts.** Damaged or entangled cords increase the risk of electric shock.
- **When operating a power tool outdoors, use an extension cord suitable for outdoor use.** Use of a cord suitable for outdoor use reduces the risk of electric shock.
- **If operating a power tool in a damp location is unavoidable, use a residual current device (RCD) protected supply.** Use of a RCD reduces the risk of electric shock.

### PERSONAL SAFETY

- **Stay alert, watch what you are doing and use common sense when operating a power tool. Do not use a power tool while you are tired or under the influence of drugs, alcohol or medication.** A moment of inattention while operating power tools may result in serious personal injury.
- **Use personal protective equipment. Always wear eye protection.** Protective equipment such as a dust mask, non-skid safety shoes, hard hat or hearing protection used for appropriate conditions will reduce personal injuries.
- **Prevent unintentional starting. Ensure the switch is in the off-position before connecting to power source and/or battery pack, picking up or carrying the tool.** Carrying power tools with your finger on the switch or energising power tools that have the switch on invites accidents.

- **Remove any adjusting key or wrench before turning the power tool on.** A wrench or a key left attached to a rotating part of the power tool may result in personal injury.
- **Do not overreach. Keep proper footing and balance at all times.** This enables better control of the power tool in unexpected situations.
- **Dress properly. Do not wear loose clothing or jewellery. Keep your hair and clothing away from moving parts.** Loose clothes, jewellery or long hair can be caught in moving parts.
- **If devices are provided for the connection of dust extraction and collection facilities, ensure these are connected and properly used.** Use of dust collection can reduce dust-related hazards.
- **Do not let familiarity gained from frequent use of tools allow you to become complacent and ignore tool safety principles.** A careless action can cause severe injury within a fraction of a second.

### POWER TOOL USE AND CARE

- **Do not force the power tool. Use the correct power tool for your application.** The correct power tool will do the job better and safer at the rate for which it was designed.
  - **Do not use the power tool if the switch does not turn it on and off.** Any power tool that cannot be controlled with the switch is dangerous and must be repaired.
  - **Disconnect the plug from the power source and/ or remove the battery pack, if detachable, from the power tool before making any adjustments, changing accessories, or storing power tools.** Such preventive safety measures reduce the risk of starting the power tool accidentally.
  - **Store idle power tools out of the reach of children and do not allow persons unfamiliar with the power tool or these instructions to operate the power tool.** Power tools are dangerous in the hands of untrained users.
  - **Maintain power tools and accessories. Check for misalignment or binding of moving parts, breakage of parts and any other condition that may affect the power tool's operation. If damaged, have the power tool repaired before use.** Many accidents are caused by poorly maintained power tools.
  - **Keep cutting tools sharp and clean.** Properly maintained cutting tools with sharp cutting edges are less likely to bind and are easier to control.
  - **Use the power tool, accessories and tool bits etc. in accordance with these instructions, taking into account the working conditions and the work to be performed.** Use of the power tool for operations different from those intended could result in a hazardous situation.
  - **Keep handles and grasping surfaces dry, clean and free from oil and grease.** Slippery handles and grasping surfaces do not allow for safe handling and control of the tool in unexpected situations.
- ### BATTERY TOOL USE AND CARE
- **Recharge only with the charger specified by the manufacturer.** A charger that is suitable for one type of battery pack may create a risk of fire when used with another battery pack.
  - **Use power tools only with specifically designated battery packs.** Use of any other battery packs may create a risk of injury and fire.

- When battery pack is not in use, keep it away from other metal objects, like paper clips, coins, keys, nails, screws or other small metal objects, that can make a connection from one terminal to another. Shorting the battery terminals together may cause burns or a fire.
- Under abusive conditions, liquid may be ejected from the battery; avoid contact. If contact accidentally occurs, flush with water. If liquid contacts eyes, additionally seek medical help. Liquid ejected from the battery may cause irritation or burns.
- Do not use a battery pack or tool that is damaged or modified. Damaged or modified batteries may exhibit unpredictable behaviour resulting in fire, explosion or risk of injury.
- Do not expose a battery pack or tool to fire or excessive temperature. Exposure to fire or temperature above 130°C (265°F) may cause explosion.
- Follow all charging instructions and do not charge the battery pack or tool outside the temperature range specified in the instructions. Charging improperly or at temperatures outside the specified range may damage the battery and increase the risk of fire.
- While operating the machine, always wear long trousers. Exposed skin increases the likelihood of injury from thrown objects.
- Keep bystanders away while operating the machine. Thrown debris can result in serious personal injury.
- Always use two hands when operating the machine. Holding the machine with both hands will avoid loss of control.
- Hold the machine by the insulated gripping surfaces only, because the cutting line or blade may contact hidden wiring. Cutting line or blades contacting a "live" wire may make exposed metal parts of the machine "live" and could give the operator an electric shock.
- Always keep proper footing and operate the machine only when standing on the ground. Slippery or unstable surfaces may cause a loss of balance or control of the machine.
- Do not operate the machine on excessively steep slopes. This reduces the risk of loss of control, slipping and falling which may result in personal injury.
- When working on slopes, always be sure of your footing, always work across the face of slopes, never up or down and exercise extreme caution when changing direction. This reduces the risk of loss of control, slipping and falling which may result in personal injury.

## SERVICE

- Have your power tool serviced by a qualified repair person using only identical replacement parts. This will ensure that the safety of the power tool is maintained.
- Never service damaged battery packs. Service of battery packs should only be performed by the manufacturer or authorised service providers.

## SPECIFIC SAFETY RULES FOR BRUSHCUTTERS

### General brushcutter safety warnings:

- Do not use the machine in bad weather conditions, especially when there is a risk of lightning. This decreases the risk of being struck by lightning.
- Thoroughly inspect the area for wildlife where the machine is to be used. Wildlife may be injured by the machine during operation.
- Thoroughly inspect the area where the machine is to be used and remove all stones, sticks, wires, bones, and other foreign objects. Thrown objects can cause personal injury.
- Before using the machine, always visually inspect to see that the cutter or blade and the cutter or blade assembly are not damaged. Damaged parts increase the risk of injury.
- Follow instructions for changing accessories. Improperly tightened blade securing nuts or bolts may either damage the blade or result in it becoming detached.
- The rated rotational speed of the blade must be at least equal to the maximum rotational speed marked on the machine. Blades running faster than their rated rotational speed can break and fly apart.
- Wear eye, ear, head and hand protection. Adequate protective equipment will reduce personal injury by flying debris or accidental contact with the cutting line or blade.
- While operating the machine, always wear safety footwear. Do not operate the machine when barefoot or wearing open sandals. This reduces the chance of injury to the feet from contact with a moving cutter, line or blade.
- When cutting brush or saplings that are under tension, be alert for spring back. When the tension in the wood fibres is released, the brush or sapling may strike the operator and/or throw the machine out of control.
- Use extreme caution when cutting brush and saplings. The slender material may catch the blade and be whipped toward you or pull you off balance.
- Maintain control of the machine and do not touch cutters, lines or blades and other hazardous moving parts while they are still in motion. This reduces the risk of injury from moving parts.
- Carry the machine with the machine switched off and away from your body. Proper handling of the machine will reduce the likelihood of accidental contact with a moving cutter, line or blade.
- When transporting or storing the machine, always fit the cover on metal blades. Proper handling of the machine will reduce the likelihood of accidental contact with the blade.
- Only use replacement cutters, lines, cutting heads and blades specified by the manufacturer. Incorrect replacement parts may increase the risk of breakage and injury.
- When clearing jammed material or servicing the machine, make sure the switch is off and the battery pack is removed. Unexpected starting of the machine while clearing jammed material or servicing may result in serious personal injury.

### Blade thrust causes and related warnings:

Blade thrust is a sudden sideways, forward or backward motion of the machine, which may occur when the blade jams or catches on an object such as a sapling or a tree stump. It can be violent enough to cause the machine and/or operator to be propelled in any direction, and possibly lose control of the machine.

Blade thrust and its related hazards can be avoided by taking proper precautions as given below.

- **Maintain a firm grip with both hands on the machine and position your arms to resist blade thrust. Position your body to the left side of the machine.** Blade thrust can increase the risk of injury due to the machine moving unexpectedly. Blade thrust can be controlled by the operator if proper precautions are taken.
- **If the blade binds, or when interrupting a cut for any reason, switch the machine off and hold the machine motionless in the material until the blade comes to a complete stop. While the blade is binding, never attempt to remove the machine from the material or pull the machine backward while the blade is in motion, otherwise blade thrust may occur.** Investigate and take corrective actions to eliminate the cause of blade binding.
- **Do not use blunt or damaged blades.** Blunt or damaged blades increase the risk of jamming or catching on an object, resulting in blade thrust.
- **Always maintain good visibility of the material being cut.** Blade thrust is more likely to occur in areas where it is difficult to see the material being cut.
- **If you are approached by another person while operating the machine, switch the machine off.** There is an increased risk of injury to other persons being struck by the moving blade in the event of blade thrust.

### Other brushcutter safety rules:

- **Before use, read this manual, and all manuals and labels of this tool and its power head. Failure to follow the warnings and instructions may result in serious injury. Use tool only as described in this manual. Use only attachments recommended by MILWAUKEE®.**

**⚠WARNING** Do not operate near electric power lines. The unit has not been designed to provide protection from electric shock in the event of contact with electric power lines. Consult local regulations for safe distances from electric power lines and ensure that the operating position is safe and secure before use.

- **Do not use an attachment extension with this tool attachment. The additional length will make this attachment difficult to control and could cause injury.**
- **Use the shoulder strap to reduce user fatigue and help in maintaining control of the tool during use.**
- **Do not wear multiple shoulder straps simultaneously. When wearing a shoulder strap, ensure that no other wearable interferes with the release and removal of the strap.**
- **Do not use the tool near anything that is burning or smoking** such as cigarettes, matches, or hot ashes.
- **To reduce the risk of health hazards from vapours or dust, do not use tool near toxic, carcinogenic or other hazardous materials** such as asbestos, arsenic, barium, beryllium, lead, pesticides or other health endangering materials.

- **Use care when using around decorative plants and other obstacles.** Accessories will cut/damage many materials.

- **Do not operate the tool without the guard in place. The guard must be attached properly during use.** Operating the tool without the guard will cause serious injury.

- **Do not use tool with a damaged cutter head.** Cracked or broken pieces can be thrown.

- **Do not operate the tool without the front handle and hip barrier in place. The front handle must be attached properly during use. Use both hands when operating the tool, according to the attachment instructions. Maintain a firm grip.** Using one hand could cause loss of control and result in serious injury.

- **Do not use the tool as an edger. Do not tilt tool to create a right angle to the ground. Keep brushcutter head parallel to the ground.** Guard cannot protect against flying debris in this orientation.

- **Keep face, hands and feet clear of moving parts at all times.** Moving parts can cause severe lacerations.

- **Brace for unexpected movement when contact is made with a hard object.** Loss of control could result in serious injury.

- **Thrown objects may ricochet off of hard surfaces, such as walls, trees, and rocks and cause injury.**

- **When possible, do cutting by hand in closed in areas.**

- **Carry the tool by the front handle to avoid accidental starting.** Proper handling of the tool will prevent injury.

- **Always turn off the tool when transporting from one location to another.** Do not carry tool with finger on the trigger. Accidental starting can cause serious personal injury.

- **Do not immerse in water or spray with a hose. Do not clean with a pressure washer.** Water entering a power tool will increase the risk of electric shock. Store tool indoors.

- **Do not store the power tool on or near to fertilisers or chemicals.**

- **Always turn off the tool and then remove battery pack before changing or removing accessories.**

- **Always use common sense and be cautious when using tools.** It is not possible to anticipate every situation that could result in a dangerous outcome. Do not use this tool if you do not understand these operating instructions or you feel the work is beyond your capability; contact MILWAUKEE® Tool or a trained professional for additional information or training.

- **Maintain labels and nameplates. These carry important information.** If unreadable or missing, contact a MILWAUKEE® service facility for a replacement.

**⚠WARNING** Some dust created by power sanding, sawing, grinding, drilling, and other construction activities contains chemicals known to cause cancer, birth defects or other reproductive harm. Some examples of these chemicals are:

- lead from lead-based paint
- crystalline silica from bricks and cement and other masonry products, and
- arsenic and chromium from chemically-treated lumber.

Your risk from these exposures varies, depending on how often you do this type of work. To reduce your exposure to these chemicals: work in a well ventilated

area, and work with approved safety equipment, such as those dust masks that are specially designed to filter out microscopic particles.

# READ AND SAVE ALL INSTRUCTIONS FOR FUTURE USE

## ADDITIONAL BATTERY SAFETY RULES

**⚠WARNING** To reduce the risk of fire, personal injury, and product damage due to a short circuit, never immerse your tool, battery pack or charger in fluid or allow a fluid to flow inside them. Corrosive or conductive fluids, such as seawater, certain industrial chemicals, and bleach or bleach-containing products, etc., can cause a short circuit.

**⚠WARNING** Do not charge non-rechargeable batteries.

## SPECIFICATIONS

Cat. No. .... **M18 FOPH BCA**  
 RPM ..... 0-6,200  
 Cutting Blade Diameter ..... 230 mm (9")  
 Blade Cat. No. .... 49162757  
 For use with ..... **M18 FUEL™ QUIK-LOK™**  
 Power Heads

## SYMBOLOLOGY



Volts



Direct Current

$n_r$  XXXX min<sup>-1</sup> No Load Revolutions per Minute (RPM)



Safety Alert Symbol



Read operator's manual



Wear eye, ear and head protection



Wear slip-resistant footwear



Wear protective gloves



Keep hands and feet away from the blade



Beware of blade thrust



Beware of thrown objects



The distance between the machine and bystanders shall be at least 15 m



Do not use with saw or edger blade



Surface is hot. Avoid contact.



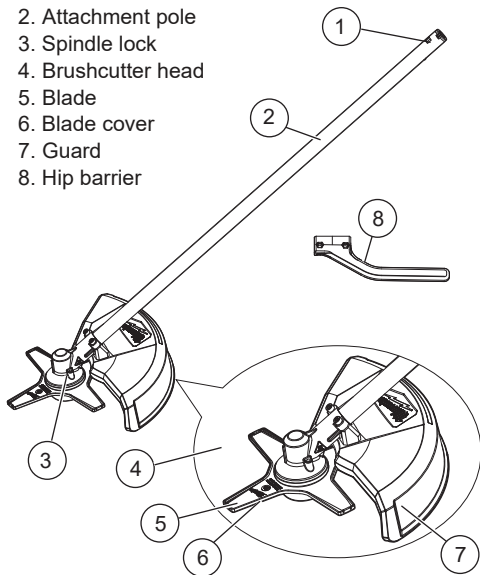
Regulatory Compliance Mark (RCM). This product meets applicable regulatory requirements.

Do not dispose of electric tools together with household waste material. Electric tools and electronic equipment that have reached the end of their life must be collected separately and returned to an environmentally compatible recycling facility.



## FUNCTIONAL DESCRIPTION

1. Detent
2. Attachment pole
3. Spindle lock
4. Brushcutter head
5. Blade
6. Blade cover
7. Guard
8. Hip barrier



**NOTE:** The shoulder strap supplied with the Power Head and hip barrier must be installed on the M18 FOPH M18 FUEL™ Outdoor Power Head.

## ASSEMBLY

**⚠WARNING** Before use, read manual and labels of the power head. Important assembly and use instructions are provided in the power head manual. Connect the attachment to the power head in accordance with the power head manual.

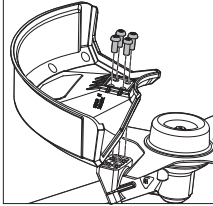
Do not operate the tool without the guard and hip barrier in place. The guard and hip barrier must be attached properly during use. Operating the tool without the guard and hip barrier will cause serious injury.

Always remove battery pack before changing or removing accessories.

### Installing the Guard

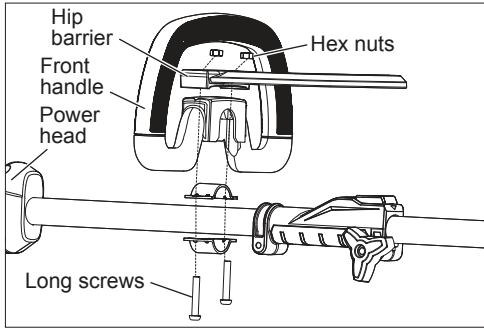
The guard is shipped uninstalled and must be installed before use.

1. Line up the guard bracket with the holes in the guard.
2. Insert four screws through the guard and into the bracket.
3. Tighten the screws securely using the included hex wrench.



### Installing the Hip Barrier

The hip barrier is shipped uninstalled and must be installed before use. The hip barrier must be attached properly on the left side of the QUIK-LOK™ Power Head, so that the brushcutter is used on your right side. This is to help prevent kickback that could cause serious injury.



1. Remove the two screws from underneath the front handle of the QUIK-LOK™ Power Head.
2. Remove the hex nuts from the front handle of the QUIK-LOK™ Power Head.
3. Line up the hip barrier on top of the front handle. The hip barrier must be oriented on the left side of the tool.

**NOTE:** The handle and hip barrier must be installed on the power head pole, just after the "Place Handle Here" label.

4. Line up the hex nuts on top of the hip barrier.
5. Insert the two long screws that came with the hip barrier through the bottom of the front handle to connect the front handle, hip barrier, and hex nuts into place. Tighten the screws securely.

**⚠WARNING** Do not use tool with a damaged cutter head. Cracked or broken pieces can be thrown.

**⚠CAUTION** When handling a cutter blade, always wear gloves and put the blade cover on the blade.

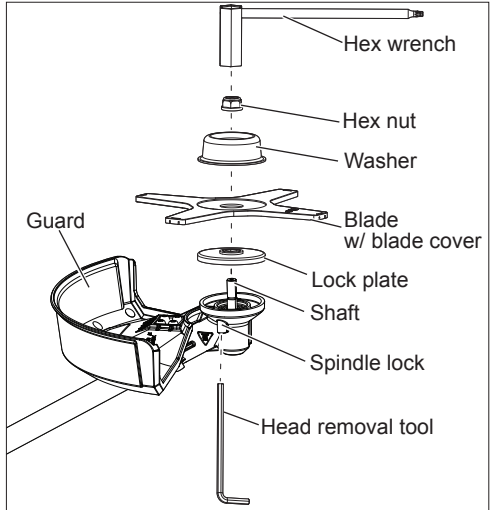
### Installing/Removing the Blade Cover

To **install** the blade cover, snap the cover into place over the bottom of the blade. Check to make sure the cover is secure over each side of the blade.

To **remove** the blade cover, pull the cover away from the blade.

### Installing/Removing the Blade

The blade is shipped uninstalled and must be installed before use.



To **install** the blade:

1. Remove the battery pack.
2. Insert the head removal tool into the spindle lock and keep in place.
3. Attach the blade onto the shaft so that the guide of the lock plate fits in the arbor hole in the blade.
4. Place the washer onto the shaft, on top of the blade.
5. Place the hex nut over the washer and tighten the hex nut with 13 - 23 Nm of tightening torque.
6. Remove the hex wrench and head removal tool.

To **remove** the blade:

1. Remove the battery pack.
2. Turn the brushcutter attachment upside down.
3. Insert the head removal tool into the spindle lock and keep in place.
4. Insert the hex wrench over the hex nut. Rotate clockwise until the hex nut loosens. Remove the hex nut.
5. Remove the hex nut, washer and blade.

## Selecting the Speed

Use the speed control button to select Low or High speeds. Use low speed for larger jobs where extended battery life is needed. Use high speed for dense growth applications.



**WARNING** Do not wear multiple shoulder straps simultaneously. When wearing a shoulder strap, ensure that no other wearable interferes with the release and removal of the strap.

## Attaching the Shoulder Strap (Cat. No. 204350021)

Use the shoulder strap to reduce user fatigue and help in maintaining control of the tool during use.

To **install** the strap:

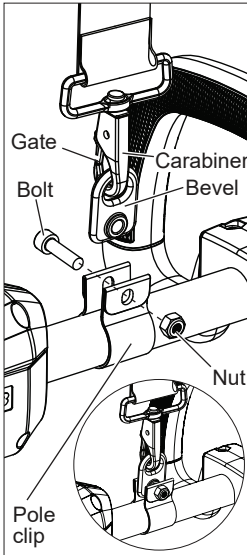
1. Remove the battery pack.
2. Fit the pole clip around the power head pole between the front handle and rear handle in a location comfortable during use.
3. Insert the bolt through the pole clip and strap bevel. Thread the nut onto the bolt and tighten securely.
4. Clip the strap carabiner to the bevel.
5. Adjust the pole clip as needed to ensure the blade is at operating level.

To **wear** the strap:

1. Put your right arm and head through the strap.
2. Adjust the strap clips to change the strap length to fit comfortably.
3. Slide the neck pad to the appropriate position.

To **unclip** the strap:

1. Hold the tool by the front handle with your left hand.
2. Grip the carabiner with your right hand and unclip by pushing in the gate and it sliding off the bevel.



## OPERATION

**WARNING** To reduce the risk of injury, always wear proper eye protection marked to comply with AS/NZS 1337.1.

Always remove battery pack before changing or removing accessories or attachments.

Do not operate the tool without the front handle in place. The front handle must be attached properly for use. Using one hand could cause loss of control and result in serious injury.

Do not operate the tool without the guard and hip barrier in place. The guard and hip barrier must be attached properly during use. Operating the tool without the guard and hip barrier will cause serious injury.

During operation, use the shoulder strap. Keep the brushcutter on your right side firmly.

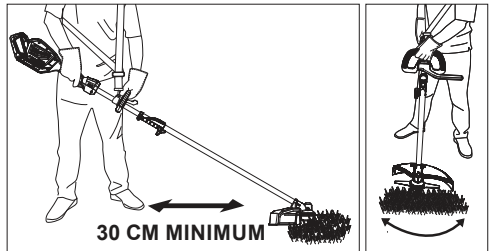
Use both hands when operating the tool, according to the attachment instructions. Maintain a firm grip. Using one hand could cause loss of control and result in serious injury.

Inspect the area before use. Remove all debris and hard objects such as rocks, glass, wire, etc. that can ricochet, be thrown, or otherwise cause injury or damage during operation.

## Trimming

1. Remove the blade cover before use. Inspect the blade for damage. If damaged, do not use and replace the blade.
2. Grasp the trigger handle with your right hand and the front handle with your left hand to properly align yourself behind the guard and away from the direction of cut.
3. To **start** the tool, squeeze the lock-off lever and pull the trigger.
4. To **vary** the speed, increase or decrease the pressure on the trigger. The further the trigger is pulled, the greater the speed up to the maximum set by the speed control button.
5. Allow the tool to angle down, keeping at least 30 cm between the brushcutter head and any body part. Hold the tool just above the ground and move the head side to side.

**WARNING** Do not use tool as an edger. Do not tilt tool to create a right angle to the ground. Keep brushcutter head parallel to the ground. Guard cannot protect against flying debris in this orientation.



**NOTE:** The brushcutter will cut best when moved across the ground in the opposite direction of the arrow on the guard.

6. In the event of blockages, turn the tool off and remove the battery before clearing any debris.

7. To **stop** the tool release the trigger. Make sure the tool comes to a complete stop before laying the tool down.

### Materials to Cut

Thick grass, brush, weeds, small diameter trees and saplings

### Cutting Tips

- Make multiple passes in long growth to avoid blockages.
- Avoid ornamental trees, shrubs, and plantings. Avoid contact with siding, fence posts, etc. They can all be damaged by the tool.
- Inspect the tool for damage upon striking a hard object or if there appears to be excessive vibration.

### MAINTENANCE

**▲WARNING** To reduce the risk of injury, always unplug the charger and remove the battery pack from the charger or tool before performing any maintenance. Never disassemble the tool, battery pack or charger. Contact a **MILWAUKEE®** service facility for ALL repairs.

### Maintaining Tool

Keep your tool, battery pack and charger in good repair by adopting a regular maintenance program. Inspect your tool for issues such as undue noise, misalignment or binding of moving parts, breakage of parts, or any other condition that may affect the tool operation. Return the tool, battery pack, and charger to a **MILWAUKEE®** service facility for repair. After six months to one year, depending on use, return the tool, battery pack and charger to a **MILWAUKEE®** service facility for inspection.

If the tool does not start or operate at full power with a fully charged battery pack, clean the contacts on the battery pack. If the tool still does not work properly, return the tool, charger and battery pack, to a **MILWAUKEE®** service facility for repairs.

**▲WARNING** Do not use blunt or damaged blades. Blunt or damaged blades increase the risk of jamming or catching on an object, resulting in blade thrust.

### Replacing the Blade

The blade should be inspected before each use. If the blade chips or becomes dull, it should be replaced. For instructions on removing and installing the blade, please see the "Installing/Removing the Blade" section of this manual.

**▲WARNING** To reduce the risk of personal injury and damage, never immerse your tool, battery pack or charger in liquid or allow a liquid to flow inside them.

### Cleaning

Clean dust and debris from vents. Keep handles clean, dry and free of oil or grease. Use only mild soap and a damp cloth to clean, since certain cleaning agents and solvents are harmful to plastics and other insulated parts. Some of these include petrol, turpentine, lacquer thinner, paint thinner, chlorinated cleaning solvents, ammonia and household detergents containing ammonia. Never use flammable or combustible solvents around tools.

### Repairs

For repairs, return the tool, battery pack and charger to the nearest service centre.

### ACCESSORIES

**▲WARNING** Use only recommended accessories. Others may be hazardous.

For a complete listing of accessories, go online to [milwaukeetool.com.au](http://milwaukeetool.com.au) / [milwaukeetool.co.nz](http://milwaukeetool.co.nz) or contact a distributor.

### WARRANTY - AUSTRALIA and NEW ZEALAND

Please refer to Australian and New Zealand warranty supplied with tool. This warranty applies only to product sold by authorised dealers in Australia and New Zealand.

### SERVICE - AUSTRALIA and NEW ZEALAND

**MILWAUKEE®** prides itself in producing a premium quality product that is Nothing But Heavy Duty™. Your satisfaction with our products is very important to us! If you encounter any problems with the operation of this tool, please contact your authorised **MILWAUKEE®** dealer.

For a list of **MILWAUKEE®** dealers, guarantee or service agents please contact **MILWAUKEE®** Customer Service or visit our website.

(Australia Toll Free Telephone Number 1300 645 928)

(New Zealand Toll Free Telephone Number 0800 645 928)

or visit [milwaukeetool.com.au/milwaukeetool.co.nz](http://milwaukeetool.com.au/milwaukeetool.co.nz).

### Milwaukee Electric Tool Corporation

13135 West Lisbon Road, Brookfield, Wisconsin U.S.A. 53005

### Milwaukee Tool (Australia)

26 - 40 Nina Link, Dandenong South,  
Victoria, 3175, Australia

### Milwaukee Tool (New Zealand)

274 Church Street, Penrose,  
Auckland, 1061, New Zealand

DESIGNED BY MILWAUKEE ELECTRIC TOOL CORP.

PROFESSIONALLY MADE IN CHINA

PRINTED IN CHINA