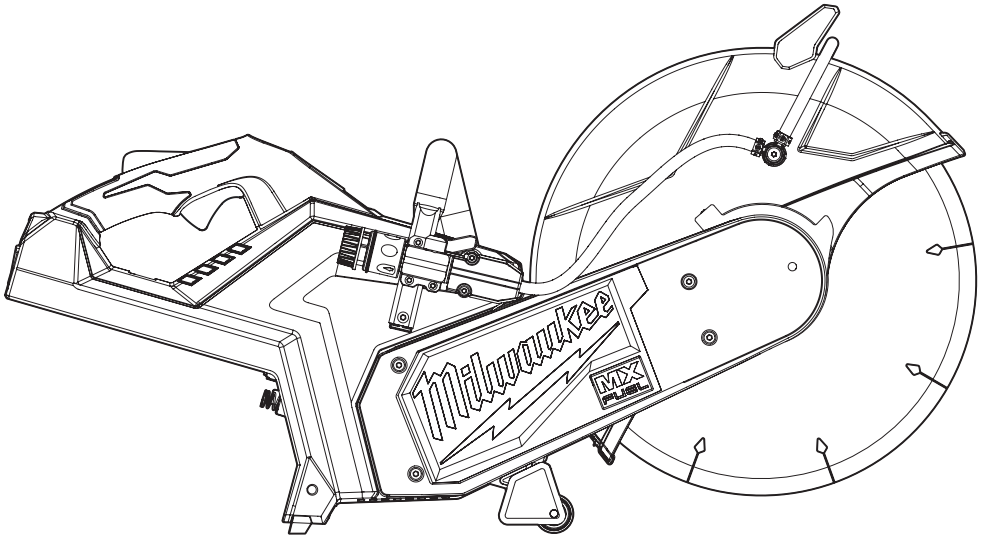





# OPERATOR'S MANUAL



Cat. No.  
**MXF COS350G2**

**MX FUEL™ 355MM (14") CUT-OFF SAW**

 **WARNING**

 To reduce the risk of injury, user must read and understand operator's manual.

## GENERAL POWER TOOL SAFETY WARNINGS

**⚠WARNING** Read all safety warnings, instructions, illustrations and specifications provided with this power tool. Failure to follow all instructions listed below may result in electric shock, fire and/or serious injury. **Save all warnings and instructions for future reference.** The term "power tool" in the warnings refers to your mains-operated (corded) power tool or battery-operated (cordless) power tool.

### WORK AREA SAFETY

- **Keep work area clean and well lit.** Cluttered or dark areas invite accidents.
- **Do not operate power tools in explosive atmospheres, such as in the presence of flammable liquids, gases or dust.** Power tools create sparks which may ignite the dust or fumes.
- **Keep children and bystanders away while operating a power tool.** Distractions can cause you to lose control.

### ELECTRICAL SAFETY

- **Power tool plugs must match the outlet. Never modify the plug in any way. Do not use any adapter plugs with earthed (grounded) power tools.** Unmodified plugs and matching outlets will reduce risk of electric shock.
- **Avoid body contact with earthed or grounded surfaces, such as pipes, radiators, ranges and refrigerators.** There is an increased risk of electric shock if your body is earthed or grounded.
- **Do not expose power tools to rain or wet conditions.** Water entering a power tool will increase the risk of electric shock.
- **Do not abuse the cord. Never use the cord for carrying, pulling or unplugging the power tool. Keep cord away from heat, oil, sharp edges or moving parts.** Damaged or entangled cords increase the risk of electric shock.
- **When operating a power tool outdoors, use an extension cord suitable for outdoor use.** Use of a cord suitable for outdoor use reduces the risk of electric shock.
- **If operating a power tool in a damp location is unavoidable, use a residual current device (RCD).** Use of a RCD reduces the risk of electric shock.

### PERSONAL SAFETY

- **Stay alert, watch what you are doing and use common sense when operating a power tool. Do not use a power tool while you are tired or under the influence of drugs, alcohol or medication.** A moment of inattention while operating power tools may result in serious personal injury.
- **Use personal protective equipment. Always wear eye protection.** Protective equipment such as a dust mask, non-skid safety shoes, hard hat or hearing protection used for appropriate conditions will reduce personal injuries.
- **Prevent unintentional starting. Ensure the switch is in the off-position before connecting to power source and/or battery pack, picking up or carrying the tool.** Carrying power tools with your finger on the switch or energising power tools that have the switch on invites accidents.

- **Remove any adjusting key or wrench before turning the power tool on.** A wrench or a key left attached to a rotating part of the power tool may result in personal injury.
- **Do not overreach. Keep proper footing and balance at all times.** This enables better control of the power tool in unexpected situations.
- **Dress properly. Do not wear loose clothing or jewellery. Keep your hair and clothing away from moving parts.** Loose clothes, jewellery or long hair can be caught in moving parts.
- **If devices are provided for the connection of dust extraction and collection facilities, ensure these are connected and properly used.** Use of dust collection can reduce dust-related hazards.
- **Do not let familiarity gained from frequent use of tools allow you to become complacent and ignore tool safety principles.** A careless action can cause severe injury within a fraction of a second.

### POWER TOOL USE AND CARE

- **Do not force the power tool. Use the correct power tool for your application.** The correct power tool will do the job better and safer at the rate for which it was designed.
  - **Do not use the power tool if the switch does not turn it on and off.** Any power tool that cannot be controlled with the switch is dangerous and must be repaired.
  - **Disconnect the plug from the power source and/ or remove the battery pack, if detachable, from the power tool before making any adjustments, changing accessories, or storing power tools.** Such preventive safety measures reduce the risk of starting the power tool accidentally.
  - **Store idle power tools out of the reach of children and do not allow persons unfamiliar with the power tool or these instructions to operate the power tool.** Power tools are dangerous in the hands of untrained users.
  - **Maintain power tools and accessories. Check for misalignment or binding of moving parts, breakage of parts and any other condition that may affect the power tool's operation. If damaged, have the power tool repaired before use.** Many accidents are caused by poorly maintained power tools.
  - **Keep cutting tools sharp and clean.** Properly maintained cutting tools with sharp cutting edges are less likely to bind and are easier to control.
  - **Use the power tool, accessories and tool bits etc. in accordance with these instructions, taking into account the working conditions and the work to be performed.** Use of the power tool for operations different from those intended could result in a hazardous situation.
  - **Keep handles and grasping surfaces dry, clean and free from oil and grease.** Slippery handles and grasping surfaces do not allow for safe handling and control of the tool in unexpected situations.
- ### BATTERY TOOL USE AND CARE
- **Recharge only with the charger specified by the manufacturer.** A charger that is suitable for one type of battery pack may create a risk of fire when used with another battery pack.
  - **Use power tools only with specifically designated battery packs.** Use of any other battery packs may create a risk of injury and fire.

- When battery pack is not in use, keep it away from other metal objects, like paper clips, coins, keys, nails, screws or other small metal objects, that can make a connection from one terminal to another. Shorting the battery terminals together may cause burns or a fire.
- Under abusive conditions, liquid may be ejected from the battery; avoid contact. If contact accidentally occurs, flush with water. If liquid contacts eyes, additionally seek medical help. Liquid ejected from the battery may cause irritation or burns.
- Do not use a battery pack or tool that is damaged or modified. Damaged or modified batteries may exhibit unpredictable behaviour resulting in fire, explosion or risk of injury.
- Do not expose a battery pack or tool to fire or excessive temperature. Exposure to fire or temperature above 130°C (265°F) may cause explosion.
- Follow all charging instructions and do not charge the battery pack or tool outside the temperature range specified in the instructions. Charging improperly or at temperatures outside the specified range may damage the battery and increase the risk of fire.

## SERVICE

- Have your power tool serviced by a qualified repair person using only identical replacement parts. This will ensure that the safety of the power tool is maintained.
- Never service damaged battery packs. Service of battery packs should only be performed by the manufacturer or authorised service providers.

## SPECIFIC SAFETY RULES FOR CUT-OFF MACHINES

- The guard provided with the tool must be securely attached to the power tool and positioned for maximum safety, so the least amount of wheel is exposed towards the operator. Position yourself and bystanders away from the plane of the rotating wheel. The guard helps to protect operator from broken wheel fragments and accidental contact with wheel.
- Use only bonded reinforced or diamond cut-off wheels for your power tool. Just because an accessory can be attached to your power tool, it does not assure safe operation.
- The rated speed of the accessory must be at least equal to the maximum speed marked on the power tool. Accessories running faster than their rated speed can break and fly apart.
- Wheels must be used only for recommended applications. For example: do not grind with the side of cut-off wheel. Abrasive cut-off wheels are intended for peripheral grinding, side forces applied to these wheels may cause them to shatter.
- Always use undamaged wheel flanges that are of correct diameter for your selected wheel. Proper wheel flanges support the wheel thus reducing the possibility of wheel breakage.
- Do not use worn down reinforced wheels from larger power tools. Wheels intended for a larger power tool are not suitable for the higher speed of a smaller tool and may burst.
- The outside diameter and the thickness of your accessory must be within the capacity rating of your power tool. Incorrectly sized accessories cannot be adequately guarded or controlled.
- The arbour size of wheels and flanges must properly fit the spindle of the power tool. Wheels and flanges with arbour holes that do not match the mounting hardware of the power tool will run out of balance, vibrate excessively and may cause loss of control.
- Do not use damaged wheels. Before each use, inspect the wheels for chips and cracks. If power tool or wheel is dropped, inspect for damage or install an undamaged wheel. After inspecting and installing the wheel, position yourself and bystanders away from the plane of the rotating wheel and run the power tool at maximum no load speed for one minute. Damaged wheels will normally break apart during this test time.
- Inspect guards and other parts before each use or after wheel breakage. Do not use a damaged tool. Tag damaged tools "DO NOT USE" until repaired. A guard or other damaged part should be properly repaired or replaced by a MILWAUKEE® service facility.
- Do not use without belt guard.
- Wear personal protective equipment. Depending on application, use face shield, safety goggles or safety glasses. As appropriate, wear dust mask, hearing protectors, gloves and shop apron capable of stopping small abrasive or workpiece fragments. The eye protection must be capable of stopping flying debris generated by various operations. The dust mask or respirator must be capable of filtering particles generated by your operation. Prolonged exposure to high intensity noise may cause hearing loss.
- Keep bystanders a safe distance away from work area. Anyone entering the work area must wear personal protective equipment. Fragments of workpiece or of a broken wheel may fly away and cause injury beyond immediate area of operation.
- Hold the power tool by insulated gripping surfaces only, when performing an operation where the cutting accessory may contact hidden wiring. Cutting accessory contacting a "live" wire may make exposed metal parts of the power tool "live" and could give the operator an electric shock.
- Never lay the power tool down until the accessory has come to a complete stop. The spinning wheel may grab the surface and pull the power tool out of your control.
- Do not run the power tool while carrying it at your side. Accidental contact with the spinning accessory could snag your clothing, pulling the accessory into your body.
- Regularly clean the power tool's air vents. The motor's fan will draw the dust inside the housing and excessive accumulation of powdered metal may cause electrical hazards.
- Do not operate the power tool near flammable materials. Sparks could ignite these materials.

## Kickback causes and related warnings

Kickback is a sudden reaction to a pinched or snagged rotating wheel. Pinching or snagging causes rapid stalling of the rotating wheel which in turn causes the uncontrolled power tool to be forced in the direction opposite of the wheel's rotation at the point of the binding.

For example, if an abrasive wheel is snagged or pinched by the workpiece, the edge of the wheel that is entered into the pinch point can dig into the surface of the material causing the wheel to climb out or kick out. The wheel may either jump toward or away from the operator, depending on the direction of the wheel's movement at the point of pinching. Abrasive wheels may also break under these conditions. Kickback is the result of saw misuse and/or incorrect operating procedures or conditions and can be avoided by taking proper precautions as given below:

- **Maintain a firm grip on the power tool and position your body and arm to allow you to resist kickback forces. Always use auxiliary handle, if provided, for maximum control over kickback or torque reaction during start-up.** The operator can control torque reactions or kickback forces, if proper precautions are taken.
- **Never place your hand near the rotating accessory.** Accessory may kickback over your hand.
- **Do not position your body in line with the rotating wheel.** Kickback will propel the tool in direction opposite to the wheel's movement at the point of snagging.
- **Use special care when working corners, sharp edges etc. Avoid bouncing and snagging the accessory.** Corners, sharp edges or bouncing have a tendency to snag the rotating accessory and cause loss of control or kickback.
- **Do not attach a saw chain, woodcarving blade, segmented diamond wheel with a peripheral gap greater than 10 mm or toothed saw blade.** Such blades create frequent kickback and loss of control.
- **Do not "jam" the wheel or apply excessive pressure. Do not attempt to make an excessive depth of cut.** Overstressing the wheel increases the loading and susceptibility to twisting or binding of the wheel in the cut and the possibility of kickback or wheel breakage.
- **When wheel is binding or when interrupting a cut for any reason, switch off the power tool and hold the power tool motionless until the wheel comes to a complete stop. Never attempt to remove the wheel from the cut while the wheel is in motion otherwise kickback may occur.** Investigate and take corrective action to eliminate the cause of wheel binding.
- **Do not restart the cutting operation in the workpiece. Let the wheel reach full speed and carefully re-enter the cut.** The wheel may bind, walk up or kickback if the power tool is restarted in the workpiece.

• **Support panels or any oversized workpiece to minimise the risk of wheel pinching and kickback.** Large workpieces tend to sag under their own weight. Supports must be placed under the workpiece near the line of cut and near the edge of the workpiece on both sides of the wheel.

• **Use extra caution when making a "pocket cut" into existing walls or other blind areas.** The protruding wheel may cut gas or water pipes, electrical wiring or objects that can cause kickback.

• **Use only a single wheel.** Multiple wheels can wear unevenly, resulting in kickback and could break and fly apart causing personal injury.

**AWARNING** To reduce the risk of injury, when working in dusty situations, wear appropriate respiratory protection or use a suitable dust extraction solution.

• **Always use common sense and be cautious when using tools.** It is not possible to anticipate every situation that could result in a dangerous outcome. Do not use this tool if you do not understand these operating instructions or you feel the work is beyond your capability; contact MILWAUKEE® Tool or a trained professional for additional information or training.

• **Maintain labels and nameplates.** These carry important information. If unreadable or missing, contact a MILWAUKEE® service facility for a replacement.

**AWARNING** Some dust created by power sanding, sawing, grinding, drilling, and other construction activities contains chemicals known to cause cancer, birth defects or other reproductive harm. Some examples of these chemicals are:

- lead from lead-based paint
- crystalline silica from bricks and cement and other masonry products, and
- arsenic and chromium from chemically-treated lumber.

Your risk from these exposures varies, depending on how often you do this type of work. To reduce your exposure to these chemicals: work in a well ventilated area, and work with approved safety equipment, such as those dust masks that are specially designed to filter out microscopic particles.

## ADDITIONAL BATTERY SAFETY RULES

**AWARNING** To reduce the risk of fire, personal injury, and product damage due to a short circuit, never immerse your tool, battery pack or charger in fluid or allow a fluid to flow inside them. Corrosive or conductive fluids, such as seawater, certain industrial chemicals, and bleach or bleach-containing products, etc., can cause a short circuit.

**AWARNING** Do not charge non-rechargeable batteries.

## SYMBOLLOGY

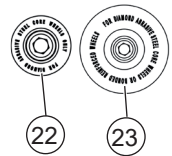
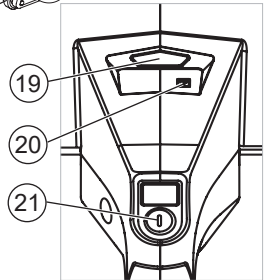
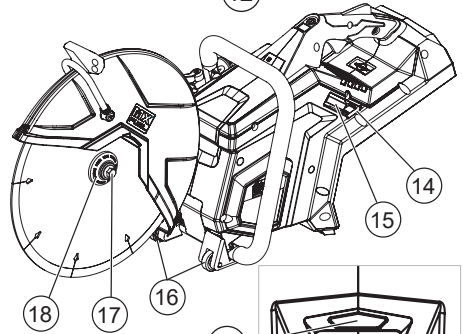
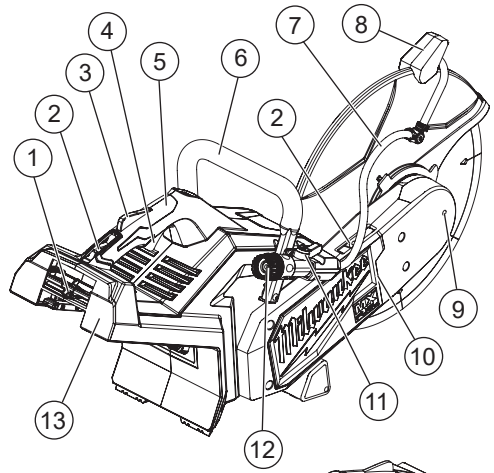
- V** Volts
- Direct Current
- n XXXX min<sup>-1</sup>** Revolutions per Minute (RPM)
-  Risk of Electric Shock
-  Keep body parts away from moving parts.
-  Match the arrow direction on the wheel with the arrow direction on the machine.
-  Tool has RAPIDSTOP™ technology.
-  Read operator's manual
-  Always wear eye protection. Use appropriate hearing and respiratory protection.
-  Regulatory Compliance Mark (RCM). This product meets applicable regulatory requirements.
-  Do not dispose of electric tools together with household waste material. Electric tools and electronic equipment that have reached the end of their life must be collected separately and returned to an environmentally compatible recycling facility.

## SPECIFICATIONS

Cat. No.....	<b>MXF COS350G2</b>
Volts.....	72V DC
Battery Type.....	MX FUEL™
Charger Type.....	MX FUEL™
RPM.....	5,370
Wheel Arbor Hole Size*.....	20 mm or 25.4 mm (1")
Maximum Wheel Size.....	355 mm (14")
Minimum Wheel Rating.....	5,370 RPM
Wheel Type.....	Abrasive or Diamond
Max Cutting Depth.....	127 mm (5")
Water Supply Inlet.....	60 psi (max)
Recommended Ambient Operating Temperature.....	-17°C to 51°C

\*The machine is supplied with an arbor adaptor (20 mm or 25.4 mm (1")). To ensure the wheel is properly secured, always use the arbor adaptor size that matches the wheel arbor hole size.

## FUNCTIONAL DESCRIPTION



1. Battery latch lever
2. Carry strap pin
3. Lock-off lever
4. Trigger
5. Handle
6. Front handle
7. Water supply tube
8. Wheel guard handle
9. Spindle lock access hole
10. Belt guard
11. Water supply valve
12. Quick connect fitting
13. Cart connector port\*
14. Hex wrench
15. Scrench
16. Roller wheels
17. Spindle bolt
18. Wheel flange
19. Eco-Coach LED
20. ONE-KEY™ indicator

21. Arm button
22. 50.8 mm (2") outer flange
23. 101.6 mm (4") outer flange

\*The connection port allows the machine to be operated with the MXF COSCG2 MX FUEL™ 355mm (14") Cut-Off Saw Cart. Always close the cart connector port when not in use to maintain dust and moisture protection. See the cart instructions for complete information



## ASSEMBLY

**WARNING** Recharge only with the charger specified for the battery. For specific charging instructions, read the operator's manual supplied with your charger and battery.

### Inserting/Removing the Battery

To **insert** the battery, slide the pack into the body of the machine. Make sure it latches securely into place. To **remove** the battery, push the battery latch lock to the side and squeeze the battery latch lever. Pull the battery pack away from the machine.

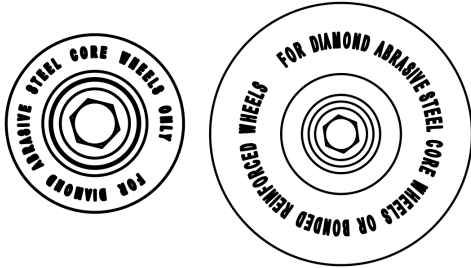
**WARNING** Always remove the battery pack any time the tool is not in use.

**WARNING** Only use accessories specifically recommended for this machine. Others may be hazardous.

### Selecting Wheel and Outer Flange

**WARNING** To reduce the risk of injury, use a cut-off wheel which is rated with a maximum safe operating speed at least 5,370 RPM. READ SAFETY INFORMATION SUPPLIED WITH CUT-OFF WHEEL. Always wear proper safety equipment, including a dust mask. Use only the proper wheel made for this tool. **DO NOT USE ANY TYPE OF SAW BLADE. USE ONLY TYPE "1" ABRASIVE and DIAMOND WHEELS.**

Match the appropriate outer flange for the wheel type to reduce the risk of personal injury.



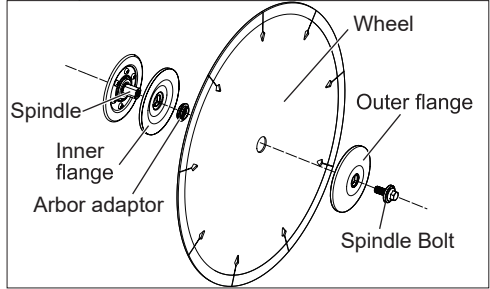
The small flange (50.8 mm (2")) can **ONLY** be used with Diamond Wheels.

The large flange (101.6 mm (4")) can be used with both Abrasive Wheels and Diamond Wheels.

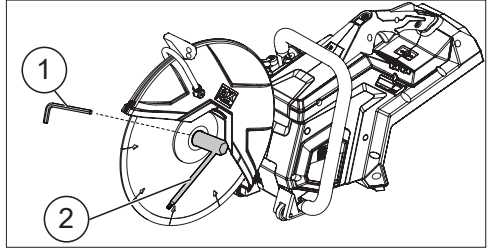
### Installing and Removing Cut-Off Wheels

**WARNING** Wheels are sharp. Wear work gloves when handling wheels.

- WARNING** Remove battery to avoid starting the machine.
- Place machine on a firm surface.
- Move wheel guard for easier access to spindle bolt.
- Slide the inner flange, arbor adaptor, cut-off wheel, and outer flange over the spindle. Be sure the arbor adaptor matches the wheel arbor hole size (20 mm or 25.4 mm (1")).



- While holding the spindle lock in place with the hex wrench (1), install and tighten the spindle bolt securely with the screwdriver (2).

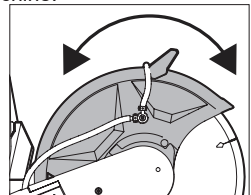


- To **remove** cut-off wheels, hold the spindle lock in place and loosen the spindle bolt with the screwdriver. Remove the spindle bolt, outer flange, arbor adaptor, and cut-off wheel.

### Adjusting the Wheel Guard

**WARNING** To reduce the risk of injury when cutting, **ALWAYS** adjust the wheel guard to provide the best control and protection. Wear gloves to protect hands when adjusting the guard.

- WARNING** Remove battery to avoid starting the machine.
- Grasp the wheel guard handle and rotate forward or backward (45° range). Always position the guard in the location which offers best control and protection.



## ONE-KEY™

To learn more about the ONE-KEY™ functionality for this tool, go to [milwaukee.com.au/innovation/one-key/](http://milwaukee.com.au/innovation/one-key/)  
To download the ONE-KEY™ app, visit the App Store or Google Play from your smart device.

ONE-KEY™ Indicator	
Solid Blue	Wireless mode is active and ready to be configured via the ONE-KEY™ app.
Blinking Blue	Machine is actively communicating with the ONE-KEY™ app.
Blinking Red	Machine is in security lockout and can be unlocked by the owner via the ONE-KEY™ app.

## OPERATION

**⚠WARNING** To reduce the risk of injury, always wear proper eye protection marked to comply with AS/NZS 1337.1.

When working in dusty situations, wear appropriate respiratory protection or use a suitable dust extraction solution.

### Water Connection

A water connection is available on the machine for use with all types of water supply. Wet cut whenever possible; water cools the wheel (increasing its service life) and reduces the formation of dust. Follow all instructions and warnings provided by the wheel manufacturer for wet cutting. Due to the electronic water valve, water will only flow when the valve is in the ON position and the trigger is pulled.

### Arming the Machine

The MX FUEL™ machines must be armed prior to use. Even with the battery pack inserted, the trigger and machine functions will not operate until the machine is armed.

To arm the machine:

1. Insert the battery pack.
2. Press the Arm button. The MX FUEL™ icon will light. The trigger will become armed in 2 seconds.
3. After 10 minutes of inactivity, the machine will enter sleep mode. The MX FUEL™ icon will go off and the trigger and LEDs are un-operational.
4. Press and hold the Arm button for 1 second to reactivate the machine.
5. Press and hold the Arm button for 1 second to unarm (turn off) the machine. The MX FUEL™ icon will go off.

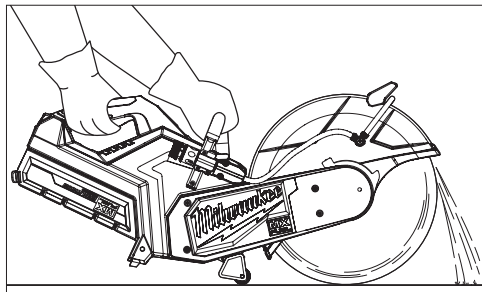
## ECO-Coach LED

Always monitor the ECO-Coach LED during operation for optimal performance.

LED	Cause	Correction
Off	Tool is disarmed  Not in application; no load detected	Arm tool  Normal operation
On, solid green	Tool is running at optimal load	Normal operation
On, solid red	Tool is running above optimal load; risk to overheat electronics. Tool will shut itself off after 5 seconds in this state.	Immediately back off pressure on wheel
On, flashes 10 times, then turns off	Overtemperature indicator, tool will not start until cooled down	Let tool cooldown
On, flashing when idle	Overtemperature indicator, tool will not start until cooled down	Let tool cooldown
	Low battery	Replace battery

### Making a Cut

1. Insert the battery pack.
2. Arm the machine.
3. Squeeze the lock-off lever and pull the trigger. Allow the machine to reach full speed and then slowly lower the wheel into the workpiece.  
**NOTE:** Always start the cut gently pushing the wheel through the workpiece. Do not bang or bump a wheel when starting or during a cut. Always push the machine away from you.
4. While cutting, maintain a firm grip. Do not force the cut-off machine through the work. Forcing a cut-off machine can cause kickback.



5. Always monitor the ECO-Coach LED while cutting.
6. Frequently clean dust from air vents and guards.

- When the cut is finished, always allow the wheel to come to a complete stop. Never remove the cut-off machine from a cut while the wheel is moving.
- If making a partial cut, restarting a cut or correcting cut direction, allow the wheel to come to a complete stop. To resume cutting, centre the wheel in the kerf (cutting slot), back the wheel away from cutting edge a few inches, pull the trigger and re-enter the cut slowly.  
**NOTE:** If the cut-off machine stalls, maintain a firm grip and release the trigger immediately. Correct the problem before continuing.

## MAINTENANCE

**WARNING** To reduce the risk of injury, always unplug the charger and remove the battery pack from the charger or tool before performing any maintenance. Never disassemble the tool, battery pack or charger. Contact a MILWAUKEE® service facility for ALL repairs.

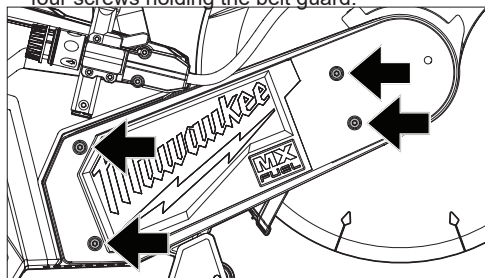
### Maintaining Tool

Keep your tool, battery pack and charger in good repair by adopting a regular maintenance program. Inspect your tool for issues such as undue noise, misalignment or binding of moving parts, breakage of parts, or any other condition that may affect the tool operation. Return the tool, battery pack, and charger to a MILWAUKEE® service facility for repair. If the tool does not start or operate at full power with a fully charged battery pack, clean the contacts on the battery pack. If the tool still does not work properly, return the tool, charger and battery pack, to a MILWAUKEE® service facility for repairs.

### Retensioning the Belt

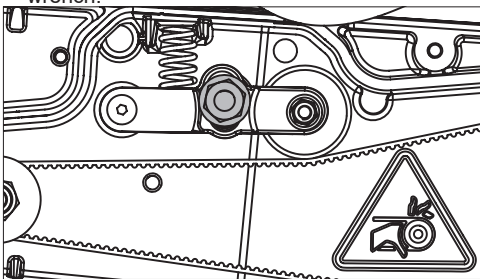
The belt should be retensioned every 3 months or whenever there is a reduction in performance.

- WARNING** Remove battery to avoid starting the machine.
- To retension the belt, use a T25 bit to loosen the four screws holding the belt guard.



- Remove the belt guard.
- Inspect the belt and replace if there are signs of wear or deterioration.

- Loosen the tensioner nut using a 13 mm socket wrench.



- When loosened, the tensioner spring will expand to position the tensioner against the belt. Do not manually adjust the tensioner, it will auto adjust when loosened.
- Hand tighten the tensioner nut to lock the tensioner in place.
- Check belt tension to ensure shifting did not occur during tightening.
- Install belt guard.

## ONE-KEY™

**WARNING** Chemical Burn Hazard. This device contains a lithium button/coin cell battery. A new or used battery can cause severe internal burns and lead to death in as little as 2 hours if swallowed or enters the body. Always secure the battery cover. If it does not close securely, stop using the device, remove the batteries, and keep it away from children. If you think batteries may have been swallowed or entered the body, seek immediate medical attention.



### Internal Coin Cell Battery

An internal coin cell battery is used to facilitate full ONE-KEY™ functionality.

To replace the coin cell battery:

- WARNING** Remove battery to avoid starting the machine.
- Remove the screw(s) and open the coin cell battery door.
- Remove the old coin cell battery, keep it away from children, and dispose of it properly.
- Insert the new coin cell battery (3V CR2032), with the positive side facing up.
- Close the battery door and tighten the screw(s) securely.

### Cleaning

Clean dust and debris from vents. Keep handles clean, dry and free of oil or grease. Use only mild soap and a damp cloth to clean, since certain cleaning agents and solvents are harmful to plastics and other insulated parts. Some of these include petrol, turpentine, lacquer thinner, paint thinner, chlorinated cleaning solvents, ammonia and household detergents containing ammonia. Never use flammable or combustible solvents around tools.



### **Cleaning the Battery and Battery Bay**

Keep battery connections and surfaces between the machine and battery free of debris and materials. Failure to keep surfaces clean may result in misalignment and/or damage to the battery connection.

### **Repairs**

For repairs, return the tool, battery pack and charger to the nearest authorised service centre.

## **ACCESSORIES**

**⚠WARNING** Use only recommended accessories. Others may be hazardous.

For a complete listing of accessories, go online to [milwaukeeetool.com.au](http://milwaukeeetool.com.au) / [milwaukeeetool.co.nz](http://milwaukeeetool.co.nz) or contact a distributor.





## **WARRANTY - AUSTRALIA and NEW ZEALAND**

Please refer to Australian and New Zealand warranty supplied with tool. This warranty applies only to product sold by authorised dealers in Australia and New Zealand.

## **SERVICE - AUSTRALIA and NEW ZEALAND**

**MILWAUKEE®** prides itself in producing a premium quality product that is Nothing But Heavy Duty™. Your satisfaction with our products is very important to us! If you encounter any problems with the operation of this tool, please contact your authorised **MILWAUKEE®** dealer.

For a list of **MILWAUKEE®** dealers, guarantee or service agents please contact **MILWAUKEE®** Customer Service or visit our website.

(Australia Toll Free Telephone Number 1300 645 928)

(New Zealand Toll Free Telephone Number 0800 645 928)

or visit [milwaukeetool.com.au/milwaukeetool.co.nz](http://milwaukeetool.com.au/milwaukeetool.co.nz).

### **Milwaukee Electric Tool Corporation**

13135 West Lisbon Road, Brookfield, Wisconsin U.S.A. 53005

#### **Milwaukee Tool (Australia)**

26 - 40 Nina Link, Dandenong South,  
Victoria, 3175, Australia

#### **Milwaukee Tool (New Zealand)**

274 Church Street, Penrose,  
Auckland, 1061, New Zealand

DESIGNED BY MILWAUKEE ELECTRIC TOOL CORP.

PROFESSIONALLY MADE IN CHINA

PRINTED IN CHINA