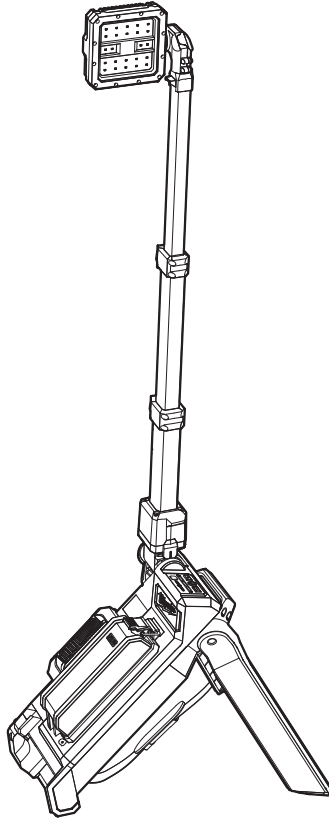




OPERATOR'S MANUAL



Cat. No.
M18 ONERSAL

M18™ LED REMOTE STAND LIGHT w/ ONE-KEY™

 **WARNING**

To reduce the risk of injury, user must read and understand operator's manual.



IMPORTANT SAFETY INSTRUCTIONS

⚠️ WARNING Read and understand all instructions. When using electric appliances, basic precautions should always be followed, including the following:

- Before using, read this operator's manual, your battery pack and charger operator's manual, and all labels on the battery pack, charger and light. Learn your light's applications and limitations as well as potential hazards associated with this type of tool.
- Read and understand all the instructions before using the appliance.
- To reduce the risk of injury, close supervision is necessary when an appliance is used near children.
- **Warning - The lens may get hot during use.** To reduce the risk of burns, do not touch hot lens.
- Store idle light out of reach of children. Warm lights can become hazardous in the hands of children.
- Suitable for rain and wet locations. Store indoors.
- Batteries must be recharged only with the charger specified by the manufacturer. A charger that may be suitable for one type of battery may create a risk of fire when used with another battery.
- Use light only with specifically designated battery pack. Use of any other batteries may create a risk of fire.
- When battery pack is not in use, keep it away from metal objects like: paper clips, coins, keys, nails, screws, or other small metal objects that can make a connection from one terminal to another. Shorting the battery terminals together may cause sparks, burns, or a fire.
- Under abusive conditions, liquid may be ejected from the battery; avoid contact. If contact accidentally occurs, flush with water. If liquid contacts eyes, additionally seek medical help. Liquid ejected from the battery may cause irritation or burns.
- Do not use a battery pack or tool that is damaged or modified. Damaged or modified batteries may exhibit unpredictable behavior resulting in fire, explosion or risk of injury.
- Do not expose a battery pack or tool to fire or excessive temperature. Exposure to fire or temperature above 130°C (265°F) may cause explosion.
- Follow all charging instructions and do not charge the battery pack or tool outside the temperature range specified in the instructions. Charging improperly or at temperatures outside the specified range may damage the battery and increase the risk of fire.
- Never service damaged battery packs. Service of battery packs should only be performed by the manufacturer or authorised service providers.
- Maintain labels and nameplates. These carry important information. If unreadable or missing, contact a MILWAUKEE® service facility for a replacement.
- The light source of this luminaire is not replaceable; when the light source reaches its end of life the whole luminaire should be replaced.

SAVE THESE INSTRUCTIONS

ADDITIONAL BATTERY SAFETY RULES

⚠️ WARNING To reduce the risk of fire, personal injury, and product damage due to a short circuit, never immerse your tool, battery pack or charger in fluid or allow a fluid to flow inside them. Corrosive or conductive fluids, such as seawater, certain industrial chemicals, and bleach or bleach-containing products, etc., can cause a short circuit.

SYMBOLGY

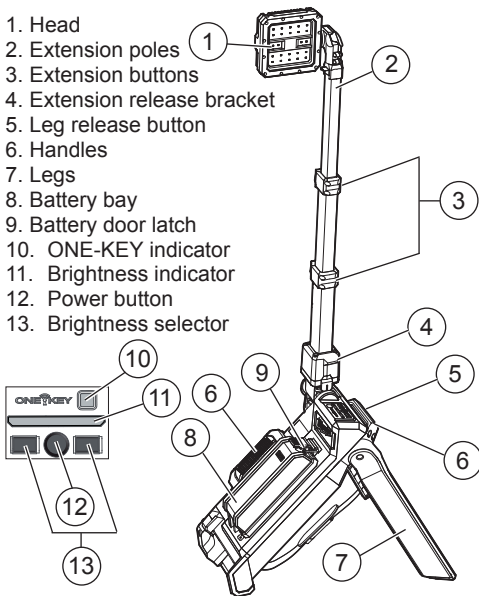
- ∇ Volts
- ≡ Direct Current
- Ⓜ Regulatory Compliance mark (RCM). This product meets applicable regulatory requirements.
- ⚠️ Do not stare at light source.
- Ⓜ Class III protection
- 📖 Read operator's manual.
- ♻️ Do not dispose of electric tools together with household waste material. Electric tools and electronic equipment that have reached the end of their life must be collected separately and returned to an environmentally compatible recycling facility.

SPECIFICATIONS

Cat. No.M18 ONERSAL
 Volts..... 18 DC
 Battery Type M18™
 Charger Type..... M18™
 Ingress Protection..... IP67

FUNCTIONAL DESCRIPTION

1. Head
2. Extension poles
3. Extension buttons
4. Extension release bracket
5. Leg release button
6. Handles
7. Legs
8. Battery bay
9. Battery door latch
10. ONE-KEY indicator
11. Brightness indicator
12. Power button
13. Brightness selector



ASSEMBLY

⚠ WARNING Recharge only with the charger specified for the battery. For specific charging instructions, read the operator's manual supplied with your charger and battery.

Inserting/Removing Battery Pack

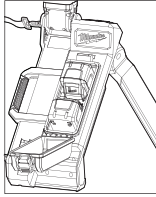
Unlatch the battery door and open to access the battery bays.

Insert a battery pack by sliding battery pack into a battery bay. Insert the battery pack until the battery latches lock.

Close and latch the battery door.

To **remove** a battery pack, press in both battery latches and slide the battery pack out of the battery bay.

NOTE: Always ensure the battery door gasket is clean and clear of dirt and debris. Close battery door latch securely to ensure water cannot enter the battery compartment.



⚠ WARNING To reduce the risk of injury, do not look directly into the light when the light is on.

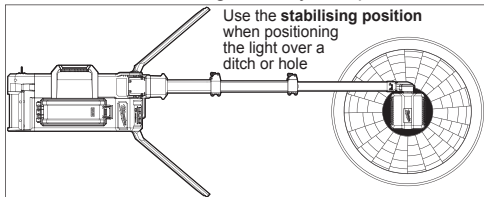
To reduce the risk of injury, always fully extend and lock legs into position before raising the poles. Light may tip and cause injury.

To reduce the risk of injury, keep hands clear of the housing area when collapsing the extension poles. Head may descend rapidly, pinching hands and fingers.

Extending/Collapsing the Legs

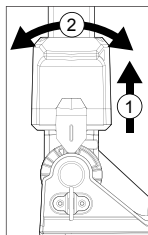
Always extend and lock the legs before raising the poles.

1. To **extend** the legs, stand light on end and press the leg release button.
2. Rotate the legs out to the standing position or stabilising position. Ensure the legs lock into place.
3. To **collapse** the legs, press the leg release button and rotate the legs back to the closed position. Keep hands clear of the legs as they collapse.



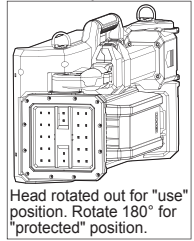
Extending/Collapsing the Extension Poles

1. To **extend** the poles, position and lock the legs.
2. Pull up on the extension release bracket and rotate the extension to the desired angle. Ensure the bracket locks into a detent.
3. Press the top extension button and raise the head. Extend the pole to the desired height.
4. If more height is needed, repeat with the lower extension.
5. Rotate the head to the desired position.



6. To collapse the poles, press the extension buttons and slide the poles back into position. Keep hands clear of the brackets as the poles collapse.

7. Rotate the head into the "protected" position or "use" position, then lift the extension release bracket and rotate the extension to the closed position.



Head rotated out for "use" position. Rotate 180° for "protected" position.

ONE-KEY™

To learn more about the ONE-KEY functionality for this tool, please reference the Quick Start guide included with this product or go to www.milwaukee.com.au/One-Key / www.milwaukee.co.nz/One-Key. To download the ONE-KEY app, visit the App Store or Google Play from your smart device.

OPERATION

⚠ WARNING To reduce the risk of injury, do not look directly into the light when the light is on.

Using the Light

1. Insert battery pack(s). Close and latch the battery door.
2. Press the Power **⏻** button to turn on the light.
3. Press the - and + buttons to cycle through **High**, **Medium**, and **Low**.

NOTE: The light will default to the selected brightness the next time it is turned on.

4. Press the Power **⏻** button to turn the light off.

NOTE: When multiple batteries are installed, the second battery pack inserted will begin operation when the first pack inserted has reached end-of-charge.

⚠ WARNING

Do not position the product as the picture shown. It may be overturned.



MAINTENANCE

⚠️ WARNING To reduce the risk of injury, always unplug the charger and remove the battery pack from the charger or tool before performing any maintenance. Never disassemble the tool, battery pack or charger. Contact a **MILWAUKEE®** service facility for ALL repairs.

Maintain Light

Keep your light, battery pack and charger in good repair by adopting a regular maintenance program. If the light does not work properly, return the light to a **MILWAUKEE®** service facility for repairs.

⚠️ WARNING Chemical Burn Hazard. This device contains a lithium button/coin cell battery. A new or used battery can cause severe internal burns and lead to death in as little as 2 hours if swallowed or enters the body. Always secure the battery cover. If it does not close securely, stop using the device, remove the batteries, and keep it away from children. If you think batteries may have been swallowed or entered the body, seek immediate medical attention.



Internal Battery

An internal battery is used to facilitate full ONE-KEY™ functionality.

To replace the battery:

1. Remove the battery pack.
2. Remove the screw and open the battery door.

3. Remove the old battery, keep it away from children, and dispose of it properly.
4. Insert the new battery (3V CR2032), with the positive side facing up.
5. Close the battery door and tighten the screw securely.

⚠️ WARNING To reduce the risk of personal injury and damage, never immerse your tool, battery pack or charger in liquid or allow a liquid to flow inside them.

Cleaning

Clean dust and debris from vents. Keep handles clean, dry and free of oil or grease. Use only mild soap and a damp cloth to clean, since certain cleaning agents and solvents are harmful to plastics and other insulated parts. Do not use sprays or solvents. Some of these include gasoline, turpentine, lacquer thinner, paint thinner, chlorinated cleaning solvents, ammonia and household detergents containing ammonia. Never use flammable or combustible solvents around tools.

ACCESSORIES

⚠️ WARNING Use only recommended accessories. Others may be hazardous. For a complete listing of accessories, go online to www.milwaukeetools.com.au / www.milwaukeetools.co.nz or contact a distributor.

WARRANTY - AUSTRALIA and NEW ZEALAND

Please refer to Australian and New Zealand warranty supplied with tool. This warranty applies only to product sold in Australia and New Zealand.

SERVICE - AUSTRALIA and NEW ZEALAND

MILWAUKEE® prides itself in producing a premium quality product that is Nothing But Heavy Duty®. Your satisfaction with our products is very important to us! If you encounter any problems with the operation of this tool, please contact your authorised **MILWAUKEE®** dealer.

For a list of **MILWAUKEE®** dealers, guarantee or service agents please contact **MILWAUKEE®** Customer Service or visit our website.

(Australia Toll Free Telephone Number 1300 645 928)

(New Zealand Toll Free Telephone Number 0800 279 624)

or visit www.milwaukeetools.com.au / www.milwaukeetools.co.nz.

Milwaukee Electric Tool Corporation

13135 West Lisbon Road, Brookfield, Wisconsin U.S.A. 53005

Milwaukee Tool (Australia)

21 Kelletts Road, Rowville, VIC 3178
Melbourne, Australia

Milwaukee Tool (New Zealand)

2 Landing Drive, Mangere
Auckland, 2022, New Zealand

Designed by Milwaukee Electric Tool Corp.

Professionally Made in China for Milwaukee Tool (Australia) / Milwaukee Tool (New Zealand)

Printed in China

961012208-01(A)