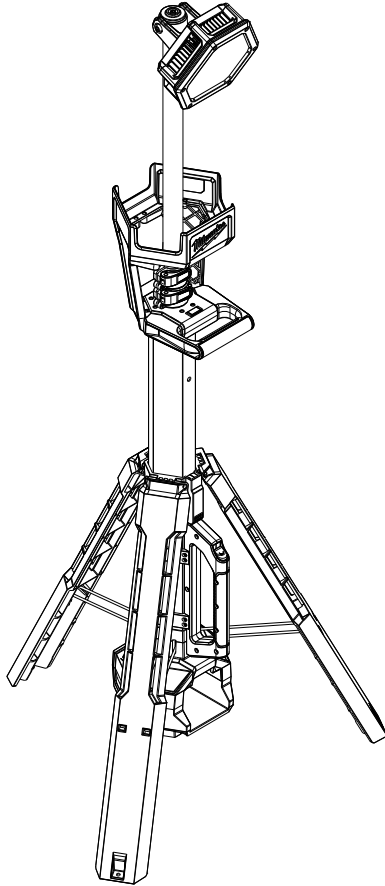




OPERATOR'S MANUAL



Cat. No.

M18 SAL-0

M18™ STAND LIGHT



WARNING



To reduce the risk of injury, user must read and understand operator's manual.







IMPORTANT SAFETY INSTRUCTIONS

⚠️ WARNING Read and understand all instructions. When using electric appliances, basic precautions should always be followed, including the following:

- Before using, read this operator's manual, your battery pack and charger operator's manual, and all labels on the battery pack, charger and light. Learn your light's applications and limitations as well as potential hazards associated with this type of tool.
- Read and understand all the instructions before using the appliance.
- To reduce the risk of injury, close supervision is necessary when an appliance is used near children.
- Warning - The lens may get hot during use. To reduce the risk of burns, do not touch hot lens.
- Store idle light out of reach of children. Warm lights can become hazardous in the hands of children.
- Do not use outdoors.
- Batteries must be recharged only with the charger specified by the manufacturer. A charger that may be suitable for one type of battery may create a risk of fire when used with another battery.
- Use light only with specifically designated battery pack. Use of any other batteries may create a risk of fire.
- When battery pack is not in use, keep it away from metal objects like: paper clips, coins, keys, nails, screws, or other small metal objects that can make a connection from one terminal to another. Shorting the battery terminals together may cause sparks, burns, or a fire.
- Maintain labels and nameplates. These carry important information. If unreadable or missing, contact a MILWAUKEE® service facility for a free replacement.

SAVE THESE INSTRUCTIONS

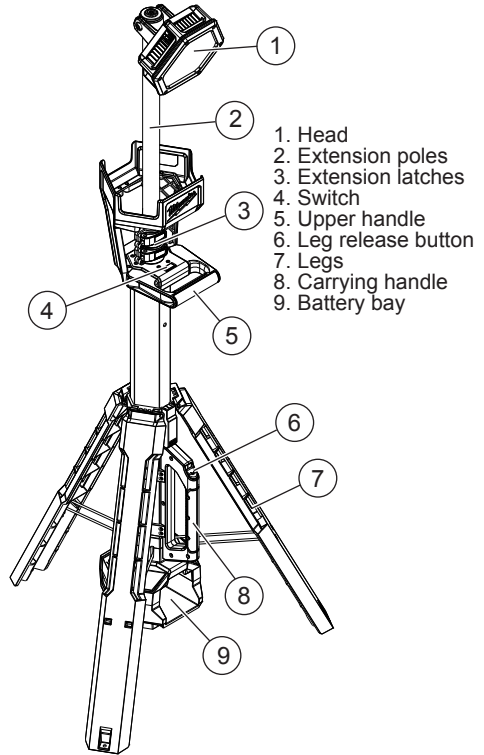
SYMBOLLOGY

-  Safety alert
-  Volts
-  Please read the instructions carefully before starting the machine.
-  Do not stare into the laser beam.
-  Waste electrical products should not be disposed of with household waste. Please recycle where local authority or retailer for recycling advice.
-  Class III protection

SPECIFICATIONS

Cat. No.M18SAL-0
 Volts..... 18 DC
 Use only MILWAUKEE® M18™ Li-Ion battery packs

FUNCTIONAL DESCRIPTION



1. Head
2. Extension poles
3. Extension latches
4. Switch
5. Upper handle
6. Leg release button
7. Legs
8. Carrying handle
9. Battery bay

ASSEMBLY

⚠️ WARNING Recharge only with the charger specified for the battery. For specific charging instructions, read the operator's manual supplied with your charger and battery.

Inserting/Removing Battery Pack

Insert the battery pack by sliding battery pack into the battery bay. Insert the battery pack until the battery latches lock.

To remove the battery pack, press in both battery latches and slide the battery pack out of the battery bay.

⚠️ WARNING To reduce the risk of injury, do not look directly into the light when the light is on.

To reduce the risk of injury, always fully extend and lock legs into position before raising the poles. Light may tip and cause injury.

To reduce the risk of injury, keep hands clear of the housing area when collapsing the extension poles. Head may descend rapidly, pinching hands and fingers.

Extending/Collapsing the Legs

Always extend and lock legs before raising the poles.

1. Stand light upright.
2. Press the Leg Release Button and slide the legs down using the Carrying Handle.
3. Lift up on the Upper Handle while sliding down the Carrying Handle.

ACCESSORIES

⚠ WARNING Always remove battery pack before changing or removing accessories. Only use accessories specifically recommended for this tool. Others may be hazardous.

For a complete listing of accessories refer to your MILWAUKEE® accessories catalogue or go online to www.milwaukeetools.com.au or www.milwaukeetools.co.nz. To obtain a catalogue, contact the store where the product was originally purchased or one of our authorised MILWAUKEE® service centres.

4. Lift until the Battery Bay lifts off the floor and the legs lock into place.
5. To collapse, press the Leg Release Button and slide in the legs using the Carrying Handle. Keep hands clear of the legs as they collapse.

Extending/Collapsing the Extension Poles

Extend or collapse the two poles to set the light at the desired height.

1. Extend and lock the legs.
2. Open the top extension latch and raise the head out of the housing. Extend the pole to the desired height.
3. Fully close top extension latch.
4. If more height is needed, fully extend first pole and close latch before opening bottom latch.
5. Continue to raise the head to the desired height.
6. Fully close bottom extension latch.
7. Rotate the head to the desired angle.

OPERATION

Use the switch to cycle through High, Medium, Low, and OFF. Press and hold to turn OFF from any setting.

MAINTENANCE

⚠ WARNING To reduce the risk of injury, always unplug the charger and remove the battery pack from the charger or tool before performing any maintenance. Never disassemble the tool, battery pack or charger. Contact a MILWAUKEE® service facility for ALL repairs.

Maintaining Light

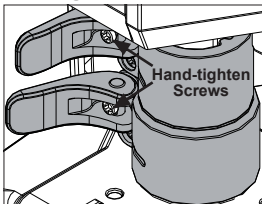
Keep your light, battery pack and charger in good repair by adopting a regular maintenance program. If the light does not work properly, return the light to the store where the product was originally purchased or one of our authorised MILWAUKEE® service centres.

Tightening

If the head or extensions will not hold their position, the screws may need to be tightened. Tighten the bracket screws holding the head. Tighten the extension latches by open the latches and tighten the screw inside.

Tightening

To increase the holding force of the poles, tighten the extension latches. Open the latches and hand-tighten the screw inside. Do not over tighten, it will damage the latches. Never use power tools.



⚠ WARNING To reduce the risk of personal injury and damage, never immerse your tool, battery pack or charger in liquid or allow a liquid to flow inside them.

Cleaning

Keep tool handles clean, dry and free of oil or grease. Use only mild soap and a damp cloth to clean the tool, battery pack and charger since certain cleaning agents and solvents are harmful to plastics and other insulated parts. Some of these include gasoline, turpentine, lacquer thinner, paint thinner, chlorinated cleaning solvents, ammonia and household detergents containing ammonia. Never use flammable or combustible solvents around tools.

WARRANTY - AUSTRALIA and NEW ZEALAND

Please refer to Australian and New Zealand warranty supplied with tool. This warranty applies only to product sold in Australia and New Zealand.

AUSTRALIA AND NEW ZEALAND MILWAUKEE® Service

MILWAUKEE® prides itself in producing a premium quality product that is Nothing But Heavy Duty®. Your satisfaction with our products is very important to us! If you encounter any problems with the operation of this tool, please contact your authorised MILWAUKEE® dealer.

For a list of MILWAUKEE® dealers, guarantee or service agents please contact MILWAUKEE® Customer Service or visit our website.

(Australia Toll Free Telephone Number 1300 361 505)

(New Zealand Toll Free Telephone Number 0800 279 624) or visit www.milwaukeetools.com.au / www.milwaukeetools.co.nz.

Milwaukee Electric Tool Corporation

13135 West Lisbon Road, Brookfield, Wisconsin U.S.A. 53005

Milwaukee Electric Tool Corporation (Australia)

Techtronic Industries (Australia) Pty. Ltd.
Rowville, Victoria, Australia, 3178

Milwaukee Electric Tool Corporation (New Zealand)

Techtronic Industries (New Zealand) Pty. Ltd.
Mangere, Auckland, New Zealand, 2022