

Milwaukee[®]

Nothing but **HEAVY DUTY**[®].



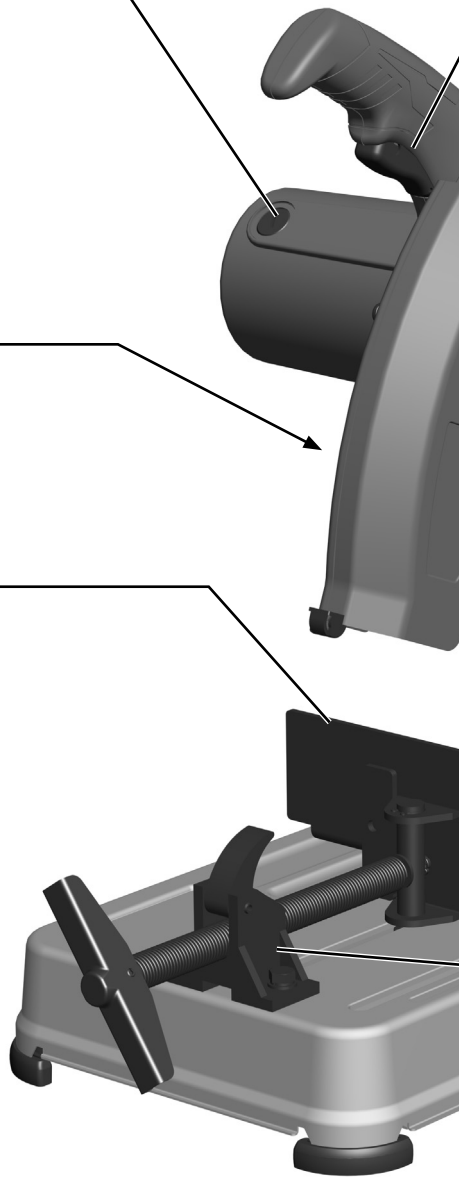
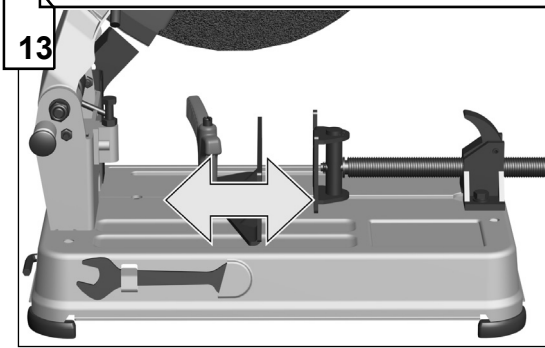
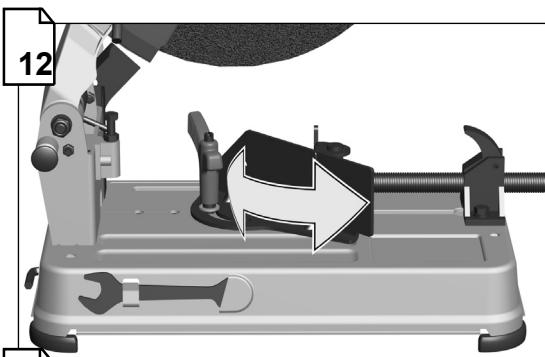
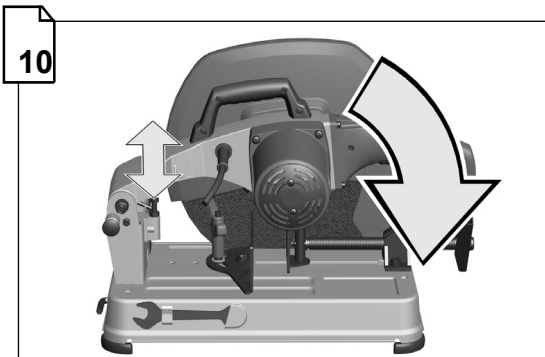
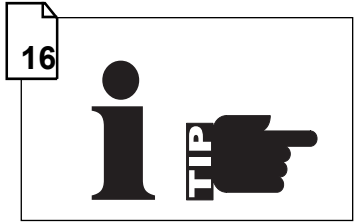
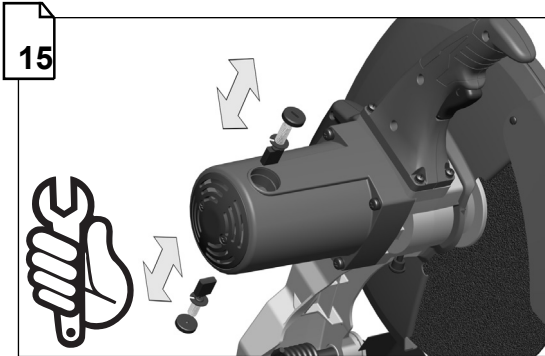
CHS 355 (ANZ)

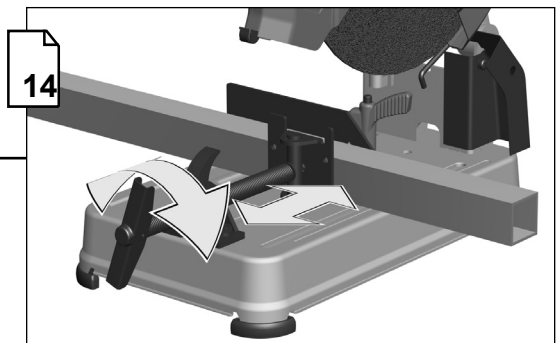
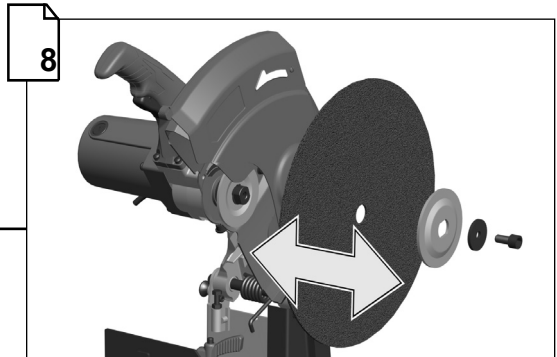
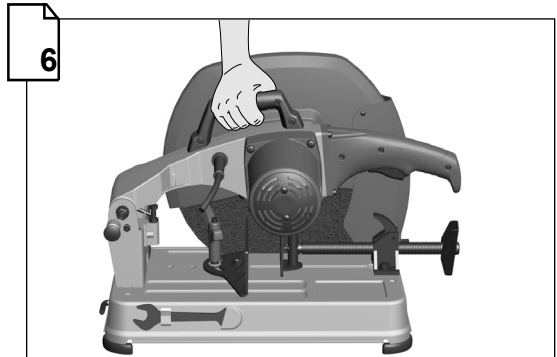
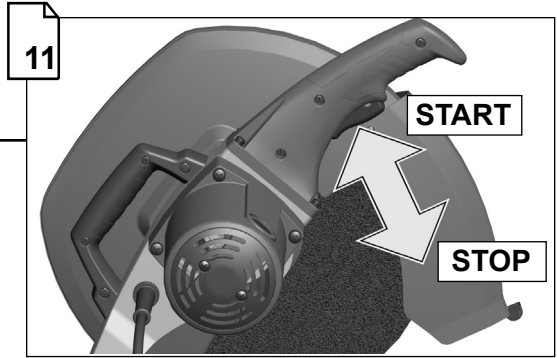
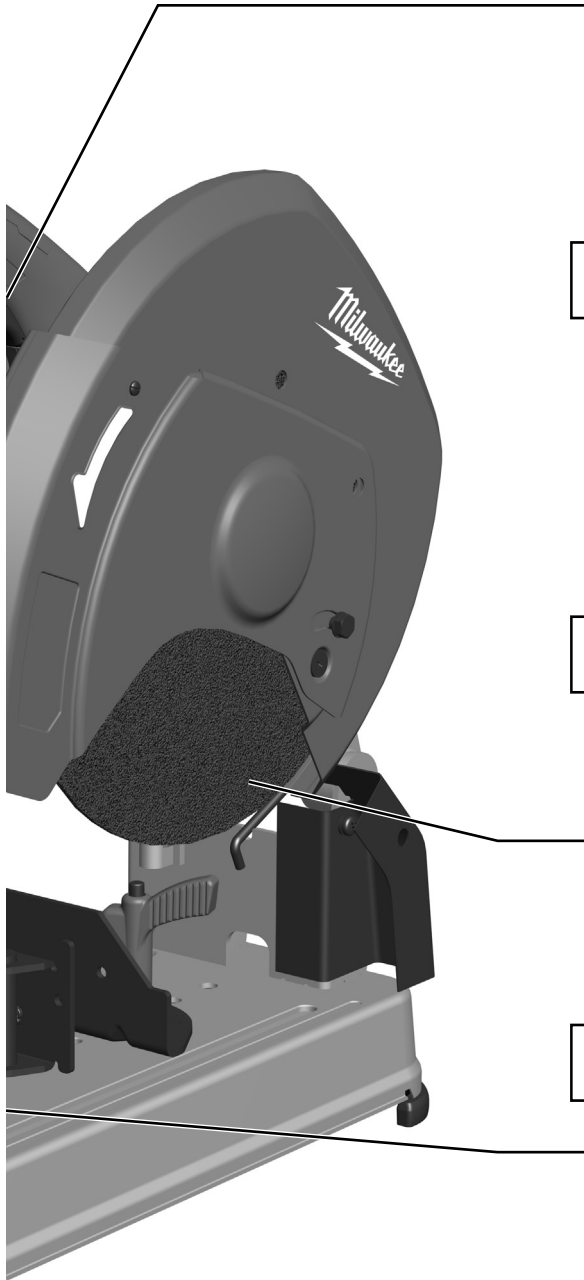
Original instructions

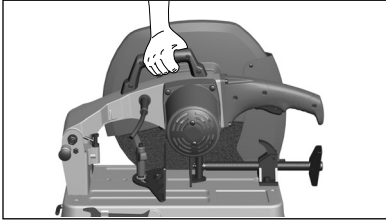
Important!

It is essential that you read the instructions in this manual before operating this machine.

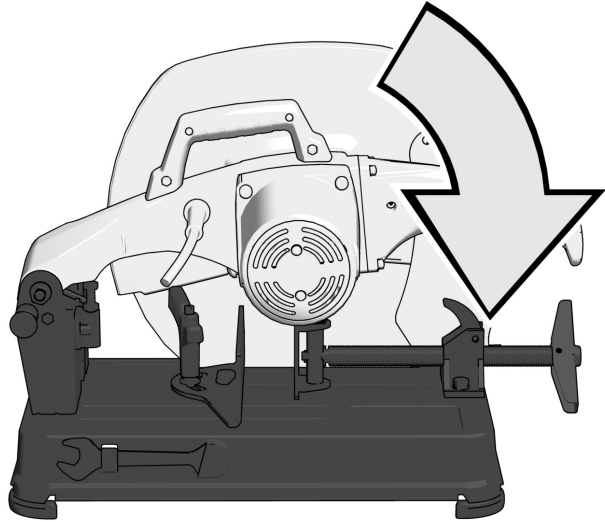
Subject to technical modifications.



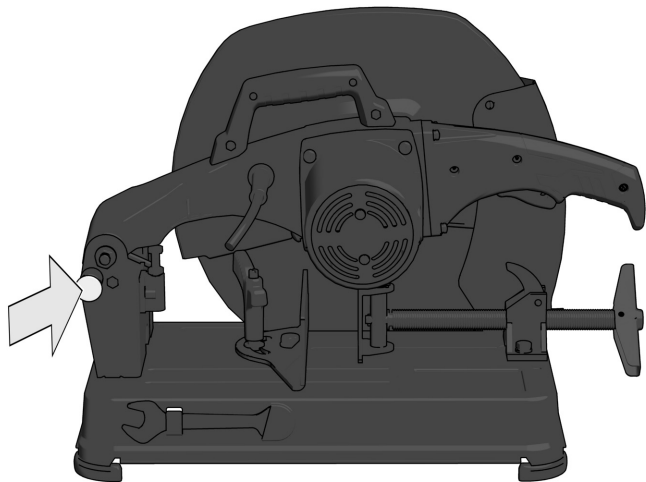




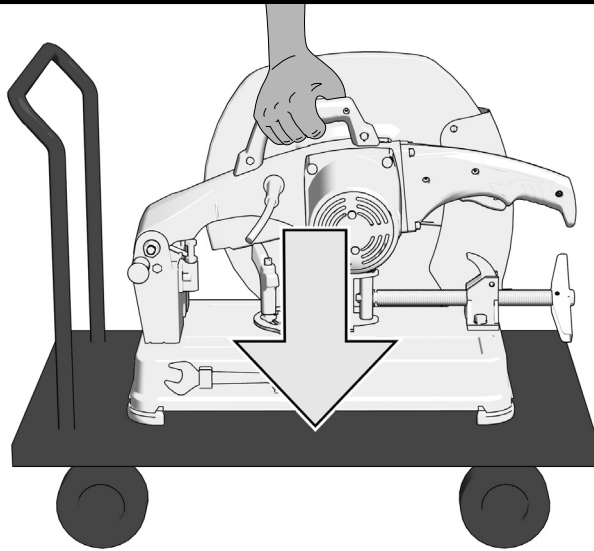
1



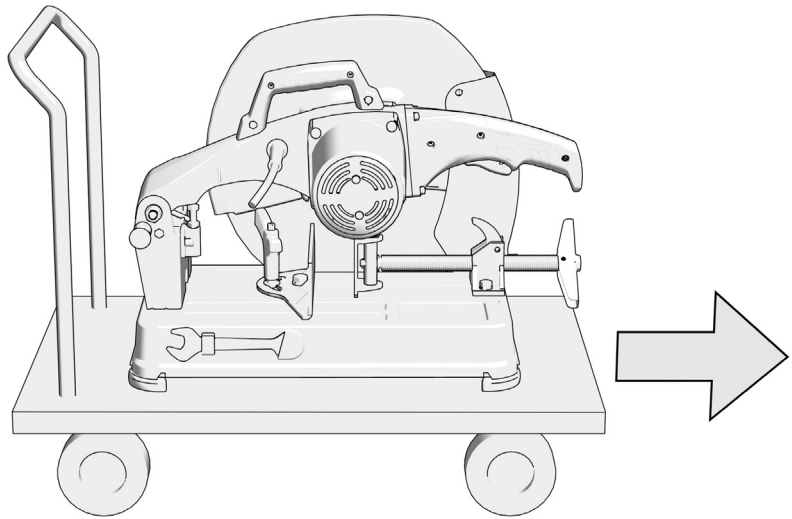
2



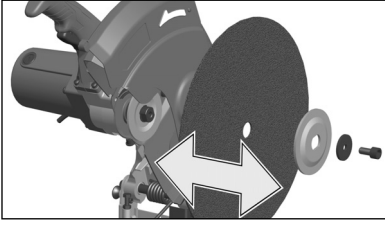
3



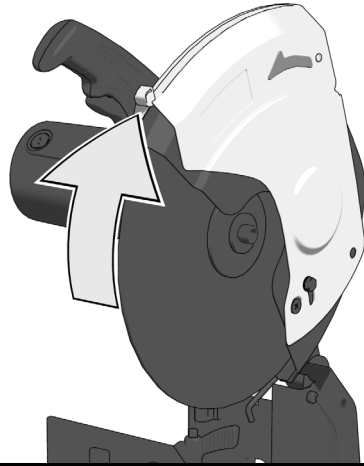
4



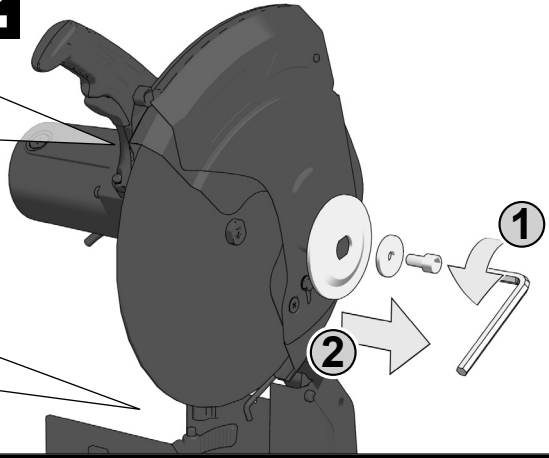
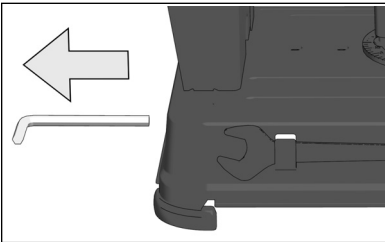
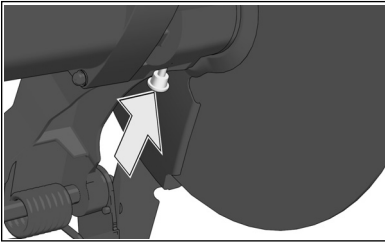
7



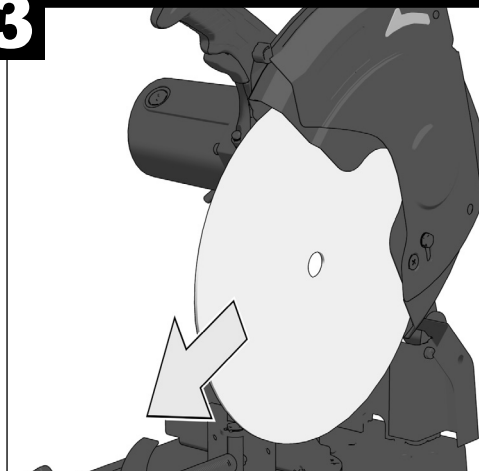
1

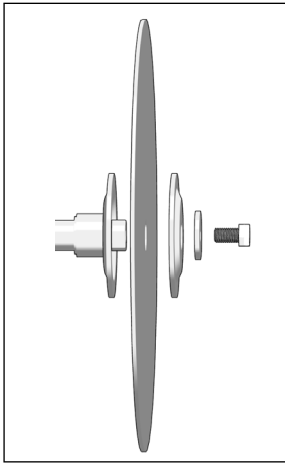


2

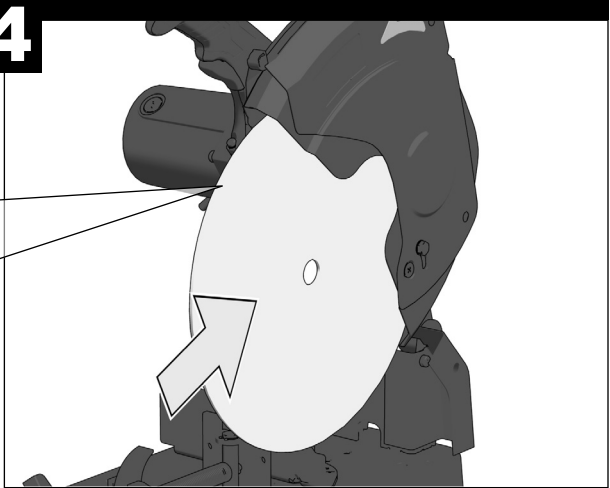


3

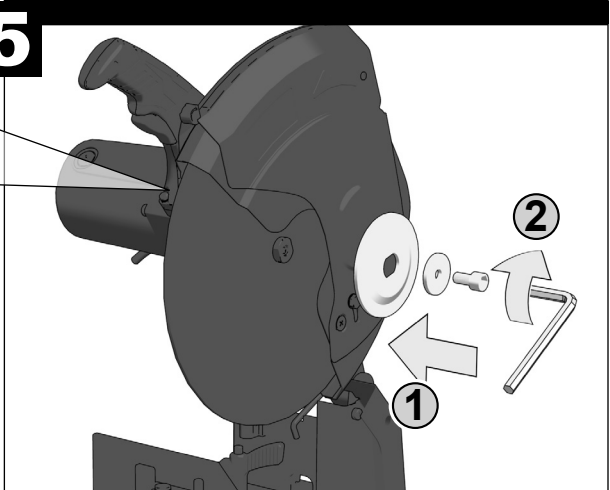
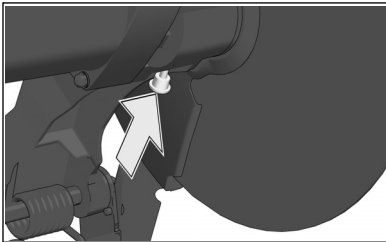




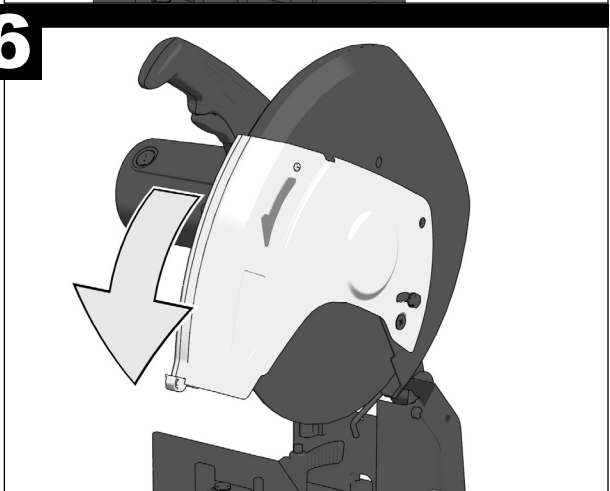
4

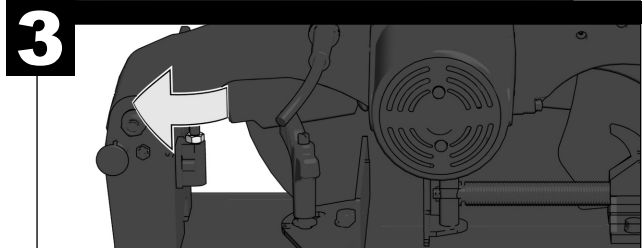
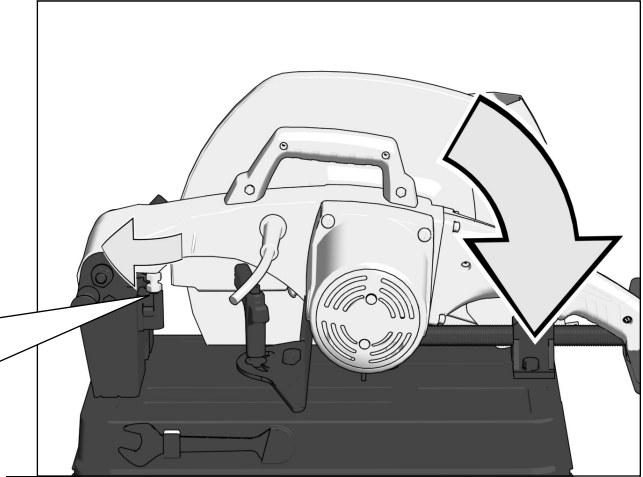
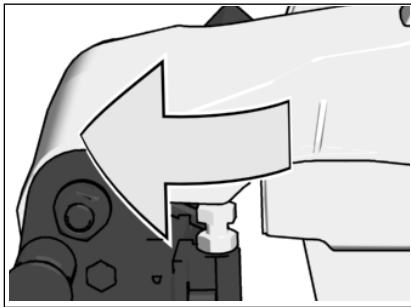
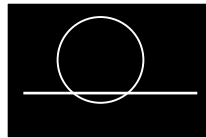
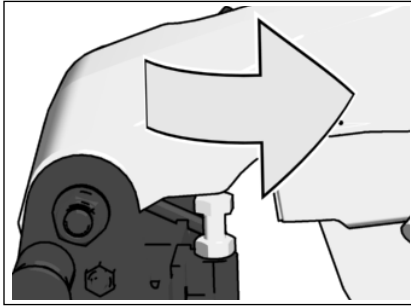
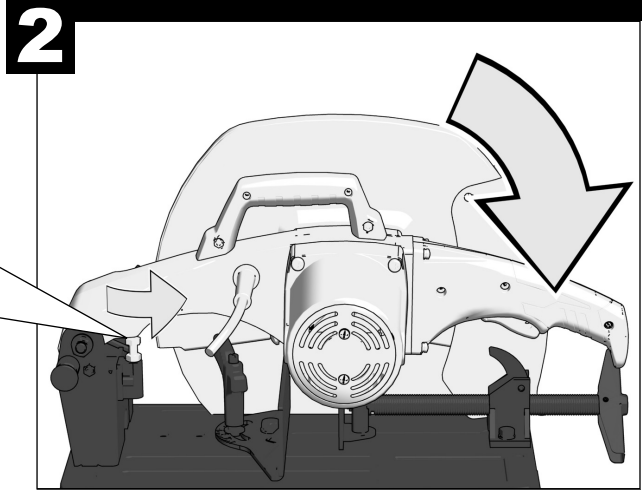
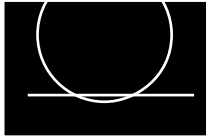
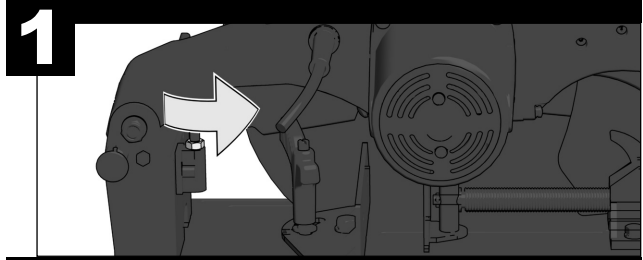
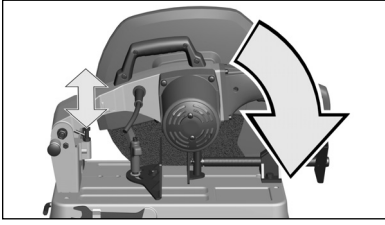


5



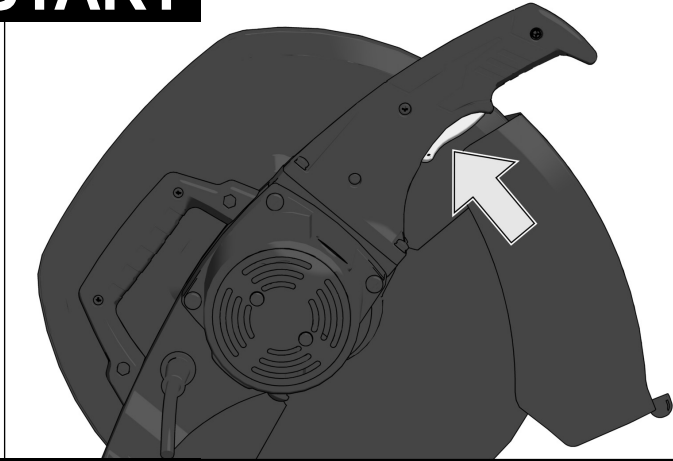
6



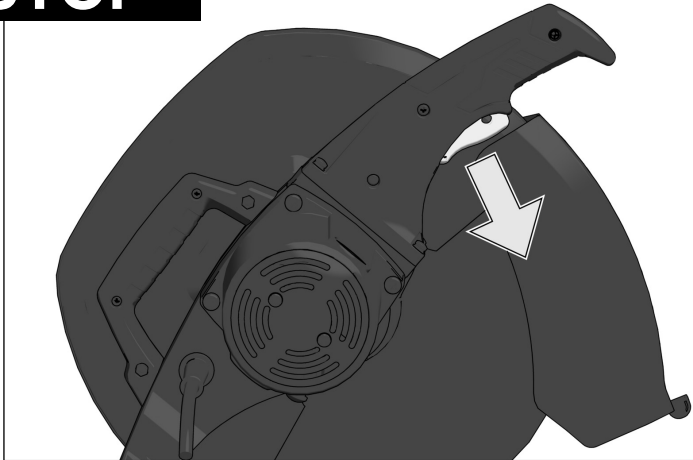


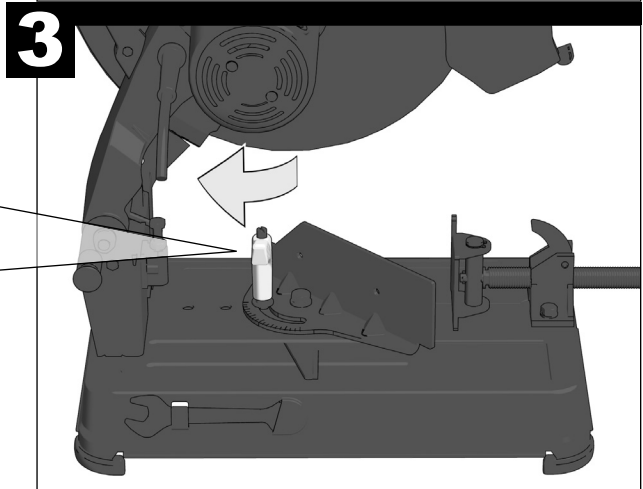
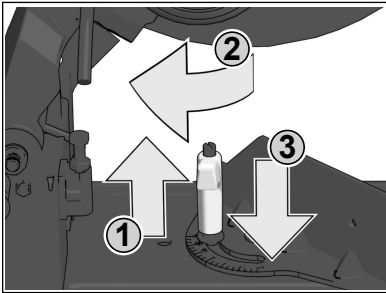
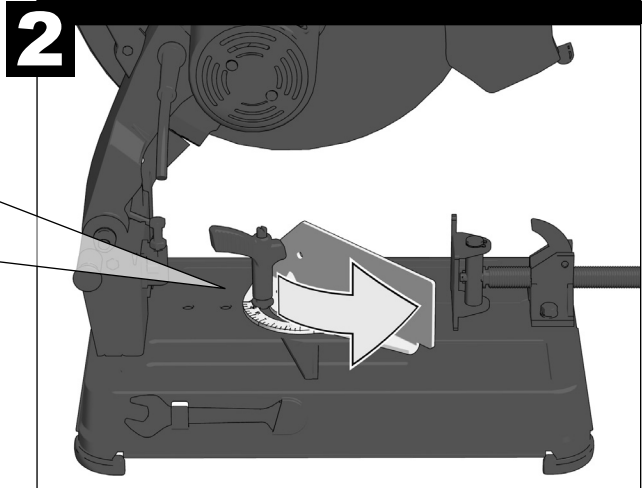
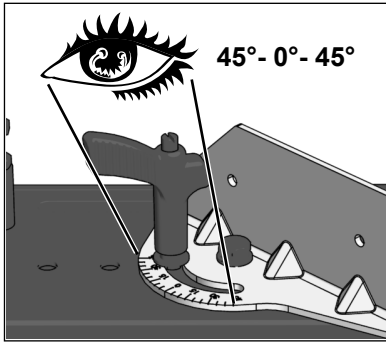
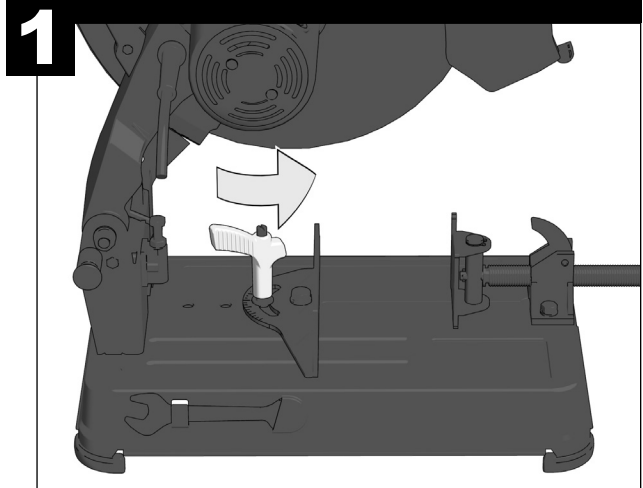
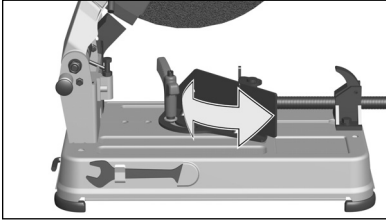


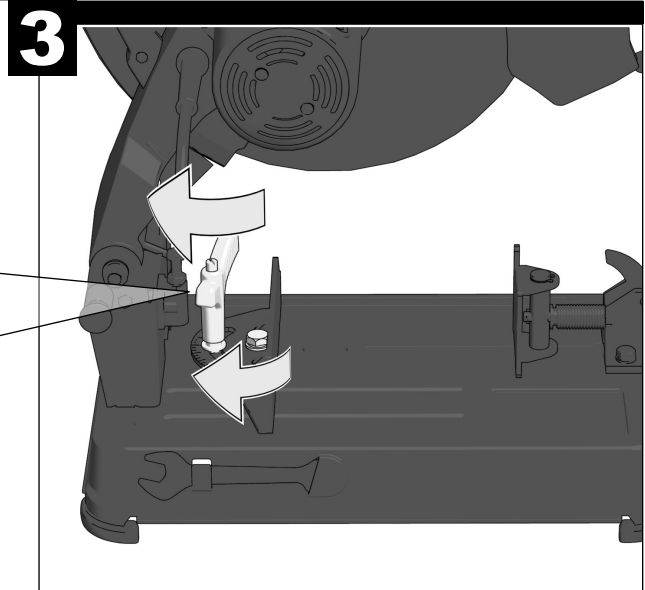
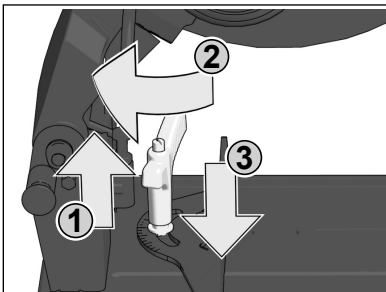
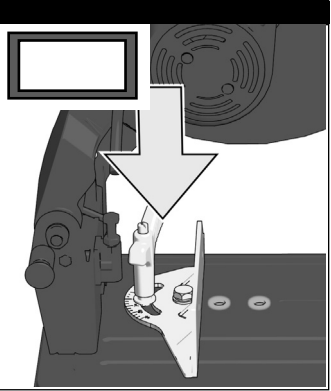
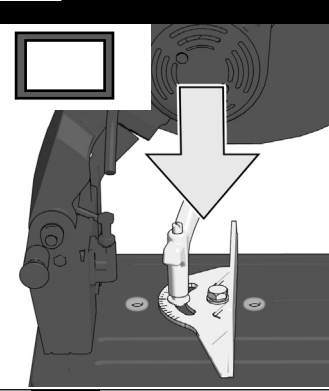
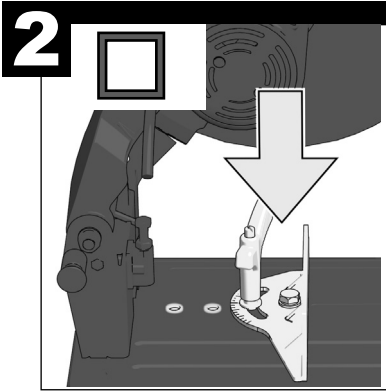
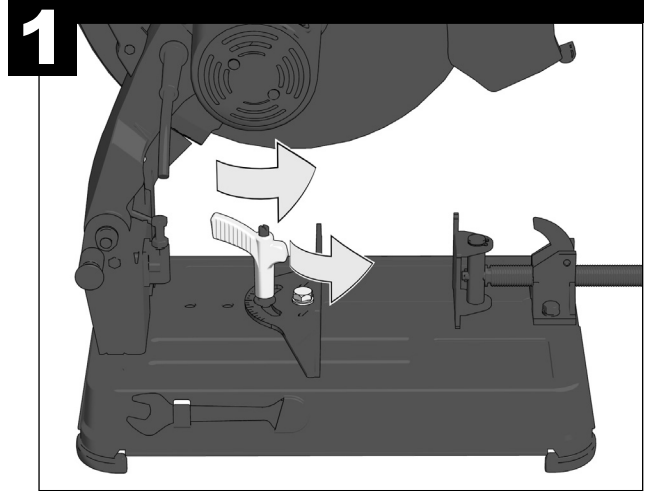
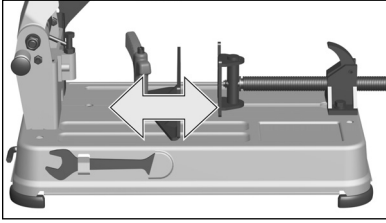
START

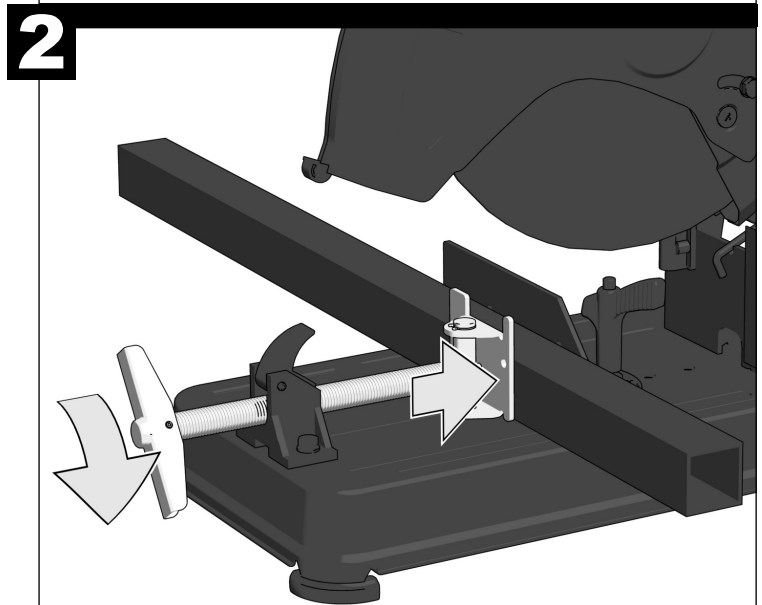
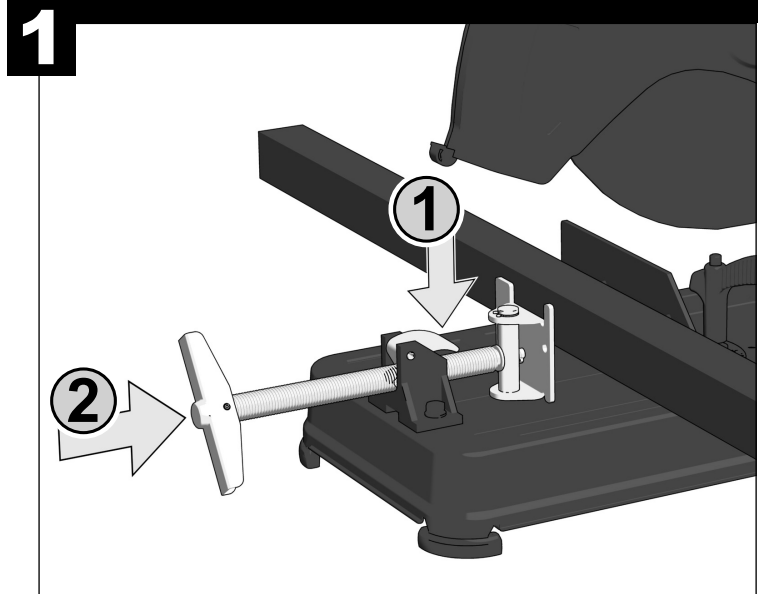
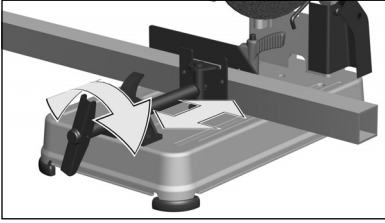


STOP





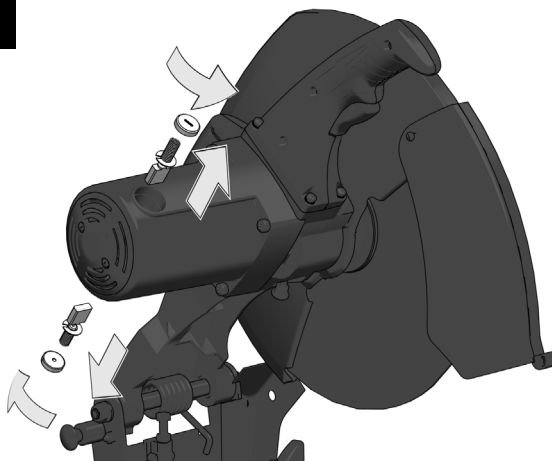




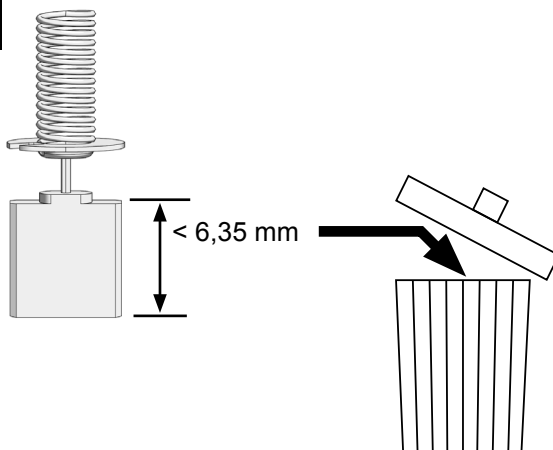
SERVICE



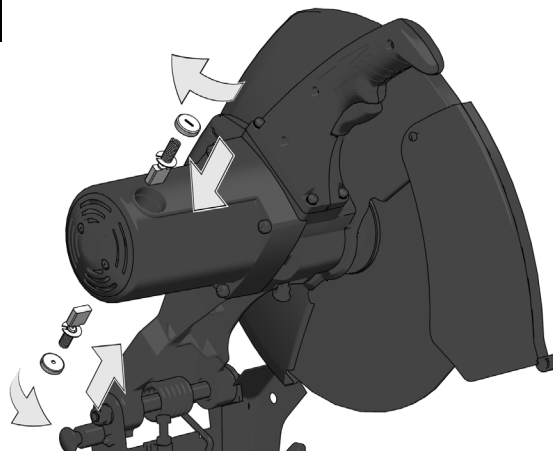
1

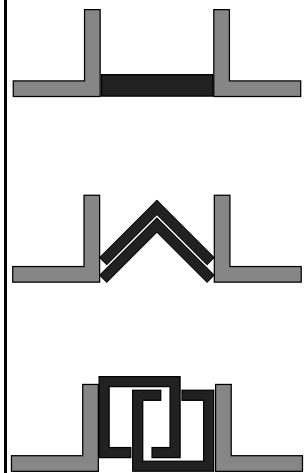
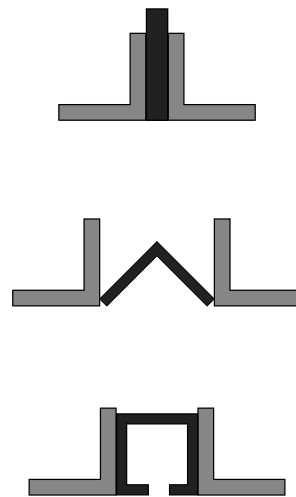
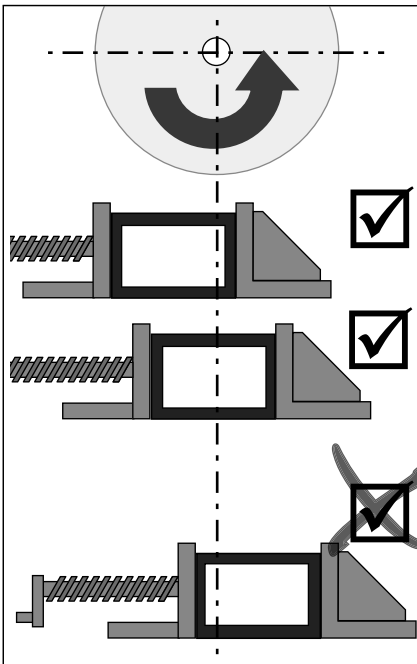
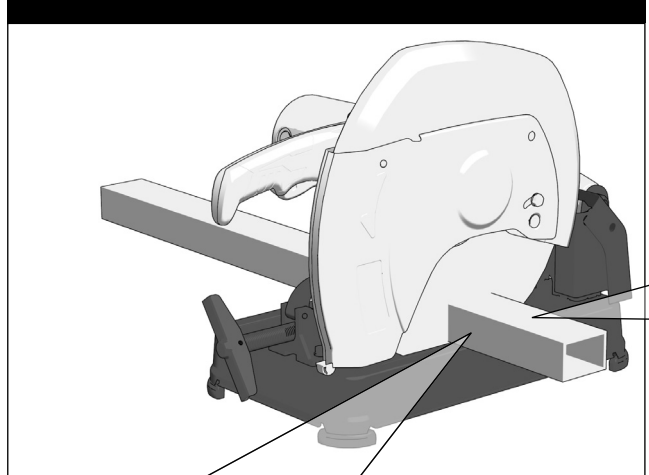
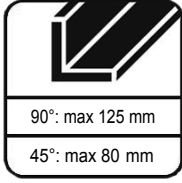
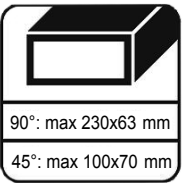
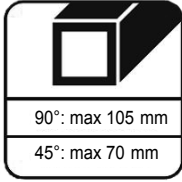
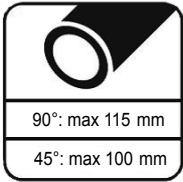
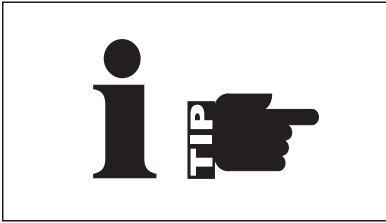


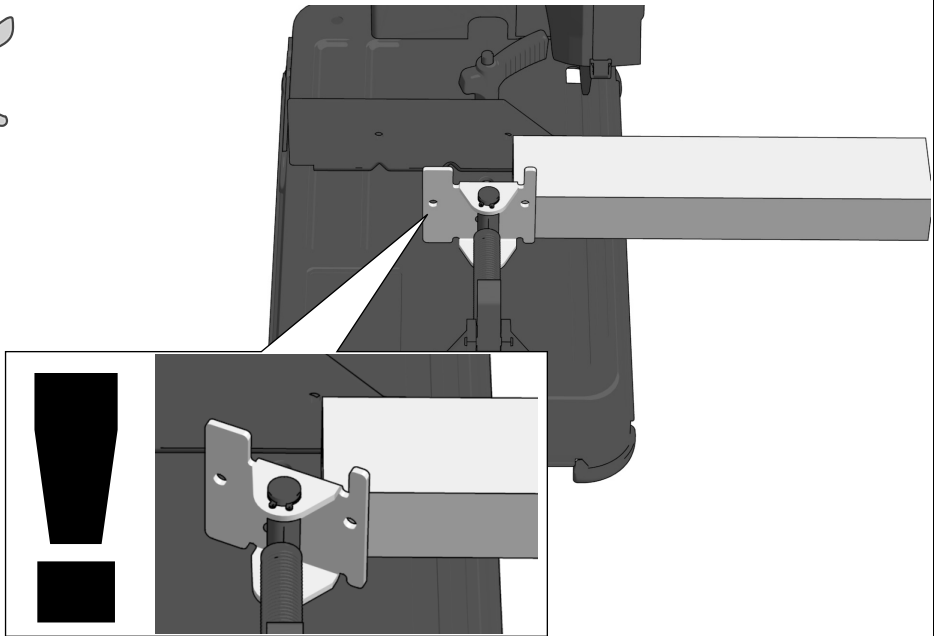
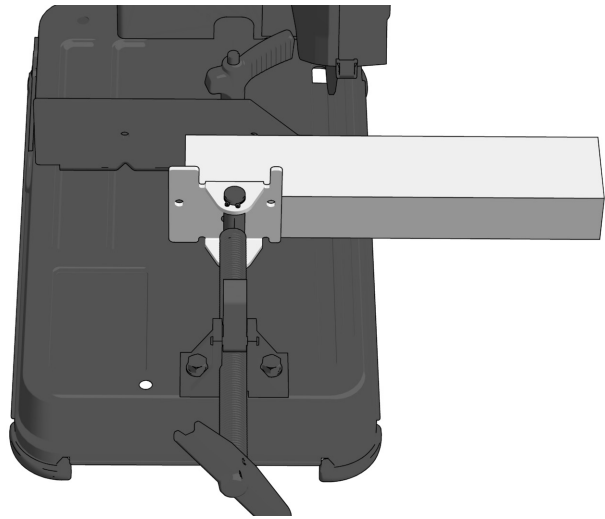
2



3

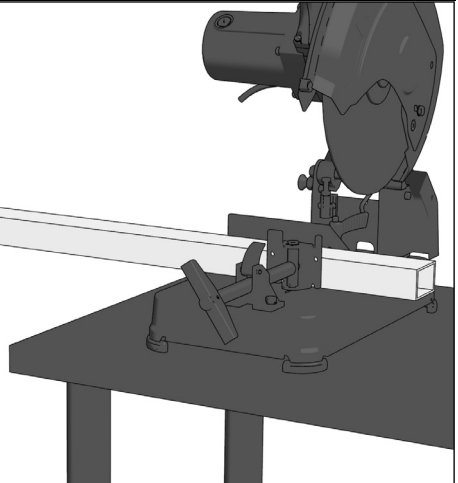
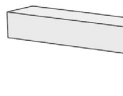
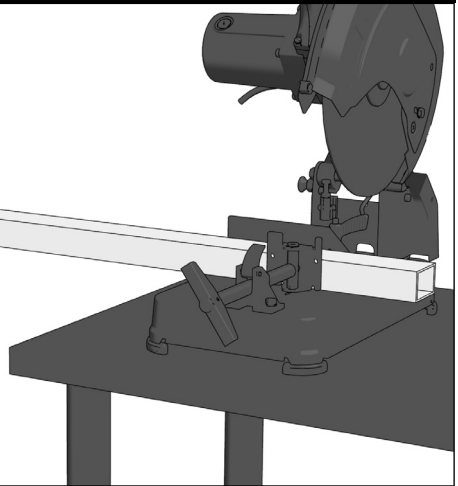
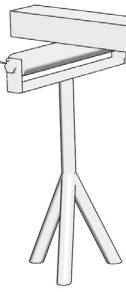




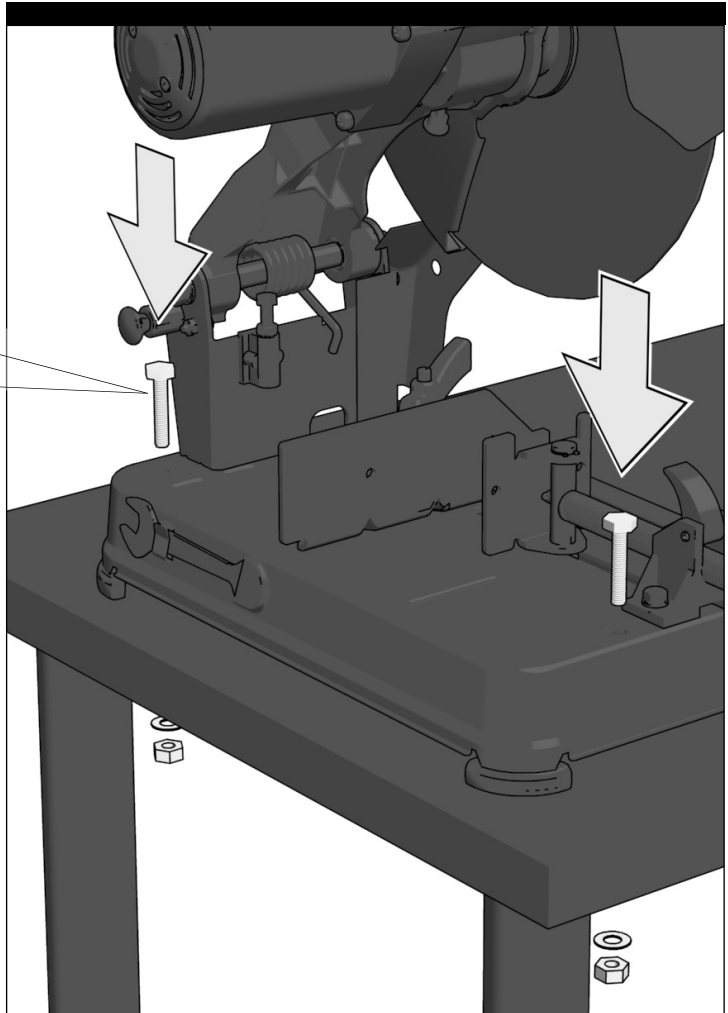




Accessory - Not included in standard equipment.



Accessory - Not included in standard equipment.



TECHNICAL DATA**Metal Cutting-Off Grinder****CHS 355 (ANZ) (220-240 V)**

Rated input	2300 W
No-load speed	3,800 min ⁻¹
Cut-off wheel diameter	355 mm
Bore diameter cut-off wheel.....	25,4 mm
Weight according EPTA-procedure 01/2003	17,5 kg

Noise Information

Measured values determined according to EN 61029.

Typically, the A-weighted noise levels of the tool are:

Sound pressure level (K = 3 dB(A))	94,5 dB (A)
Sound power level (K = 3 dB(A)).....	107,5 dB (A)

Wear ear protectors!**Vibration Information**

Total vibration values (vector sum in the three axes) determined according to EN 61029.

Vibration emission value a _h :	3,1 m/s ²
Uncertainty K =	1,5 m/s ²

WARNING

The vibration emission level given in this information sheet has been measured in accordance with a standardised test given in EN 61029 and may be used to compare one tool with another. It may be used for a preliminary assessment of exposure.

The declared vibration emission level represents the main applications of the tool. However if the tool is used for different applications, with different accessories or poorly maintained, the vibration emission may differ. This may significantly increase the exposure level over the total working period.

An estimation of the level of exposure to vibration should also take into account the times when the tool is switched off or when it is running but not actually doing the job. This may significantly reduce the exposure level over the total working period.

Identify additional safety measures to protect the operator from the effects of vibration such as: maintain the tool and the accessories, keep the hands warm, organisation of work patterns.

⚠ WARNING! Read all safety warnings and all instructions, including those given in the accompanying brochure. Failure to follow the warnings and instructions may result in electric shock, fire and/or serious injury. **Save all warnings and instructions for future reference.**

SAFETY INSTRUCTIONS

Wear ear protectors. Exposure to noise can cause hearing loss.

Appliances used at many different locations including open air should be connected via a residual current device of 30 mA or less.

Always disconnect the plug from the socket before carrying out any work on the machine.

Only plug-in when machine is switched off.

Keep mains lead clear from working range of the machine. Always lead the cable away behind you.

Use protective equipment. Always wear safety glasses when working with the machine. The use of protective clothing is recommended, such as dust mask, protective gloves, sturdy non-slip footwear, helmet and ear defenders.

Metal shavings and splinters must not be removed while the machine is running.

Never reach into the danger area of the machine when it is running.

Always use the protective shields on the machine.

Never use the Cutting-Off Grinder to cut materials other than those specified in the instruction manual.

The handle lock must always be engaged when transporting the Cutting-Off Grinder.

Only use the Cutting-Off Grinder with guards in good working order and properly maintained, and in position.

The adjusting nut must be tightened before starting to work with the machine.

Do not use cut-off wheels which are damaged or deformed

Always use and store the cut-off wheels according to the manufacturer's instructions.

Use only cut-off wheels that are recommended for your power tool and the specific guard. Cut-off Wheels for which the power tool was not designed cannot be adequately guarded and are unsafe.

Do not attach a saw chain, woodcarving blade or toothed saw blade. Such blades create frequent kickback and loss of control.

The guard must be securely attached to the power tool and positioned for maximum safety, so the least amount of cut-off wheel is exposed towards the operator. The guard helps to protect operator from broken cut-off wheel fragments and accidental contact with cut-off wheel.

The arbour size of the cut-off wheel and the flange must properly fit the spindle of the power tool.

Check cut-off wheels before use. The cut-off wheel must be properly mounted and turn freely. Perform a test run for at least 30 seconds without load. Do not use damaged, out of round or vibrating cut-off wheels.

Always use undamaged wheel flanges that are of correct size and shape for your selected cut-off wheel. Proper wheel flanges support the cutting wheel thus reducing the possibility of wheel breakage.

When cutting metal, flying sparks are produced. Take care that no persons are endangered. Because of the danger of fire, no combustible materials should be located in the vicinity (spark flight zone). Do not use dust extraction.

Do not use a damaged cut-off wheel. Before each use inspect the cut-off wheel for chips and cracks, tear or excess wear.

After switching off, the machine will not be idle immediately. (After-running of the cut-off wheel.) Allow the cut-off wheel to come to a stop after switching off.

Do not "jam" the cut-off wheel or apply excessive pressure.

When cut-off wheel is binding or when interrupting a cut for any reason, switch off the power tool and wait until the wheel comes to a complete stop. Never attempt to remove

the cut-off wheel from the workpiece while the wheel is in motion otherwise kickback may occur. Investigate and take corrective action to eliminate the cause of wheel binding.

Do not restart the cutting operation in the workpiece. Let the wheel reach full speed and carefully reenter the cut. The wheel may bind, walk up or kickback if the power tool is restarted in the workpiece.

The workpiece must be fixed.

Regularly clean the power tool's air vents. The motor's fan will draw the dust inside the housing and excessive accumulation of powdered metal may cause electrical hazards.

Ensure that the machine is always stable and secure (e.g. fixed to a bench)

Long workpieces must be adequately supported.

SPECIFIED CONDITIONS OF USE

The Cutting-Off Grinder may be used for cutting metal sections, metal pipes and metal bars into lengths. The machine is not designed for wood working.

Do not use this product in any other way as stated for normal use.

This appliance is not intended for use by persons (including children) with reduced physical, sensory or mental capabilities, or lack of experience and knowledge, unless they have been given supervision or instruction concerning use of the appliance by a person responsible for their safety.

Children should be supervised to ensure that they do not play with the appliance.

MAINS CONNECTION

Connect only to single-phase a.c. current and only to the system voltage indicated on the rating plate.

MAINTENANCE

The ventilation slots of the machine must be kept clear at all times.

Use only Milwaukee accessories and Milwaukee spare parts. Should components need to be replaced which have not been described, please contact one of our Milwaukee service agents (see our list of guarantee/service addresses).

If needed, an exploded view of the tool can be ordered. Please state the Article No. as well as the machine type printed on the label and order the drawing at your local service agents or directly at: Milwaukee Electric Tool, Max-Eyth-Straße 10, D-71364 Winnenden, Germany.

EC-DECLARATION OF CONFORMITY

We declare under our sole responsibility that this product is in conformity with the following standards or standardized documents. EN 61029, EN 55014-1, EN 55014-2, EN 61000-3-2, EN 61000-3-3, in accordance with the regulations 2006/42/EC, 2004/108/EC



Winnenden, 2010-09-21

Rainer Kumpf
Manager Product Development
Authorized to compile the technical file

SYMBOLS



Please read the instructions carefully before starting the machine.



Always disconnect the plug from the socket before carrying out any work on the machine.



Always wear goggles when using the machine.



Do not dispose of electric tools together with household waste material! In observance of European Directive 2002/96/EC on waste electrical and electronic equipment and its implementation in accordance with national law, electric tools that have reached the end of their life must be collected separately and returned to an environmentally compatible recycling facility.



Regulatory Compliance Mark (RCM). Product meets applicable regulatory requirements.

Milwaukee Electric Tool Corporation
13135 West Lisbon Road, Brookfield, Wisconsin U.S.A. 53005

Milwaukee Electric Tool Corporation (Australia)
Techtronic Industries (Australia) Pty. Ltd.
Rowville, Victoria, Australia, 3178

Milwaukee Electric Tool Corporation (New Zealand)
Techtronic Industries (New Zealand) Pty. Ltd.
Mangere, Auckland, New Zealand, 2022

Professionally made in China for Milwaukee Electric Tool Corporation