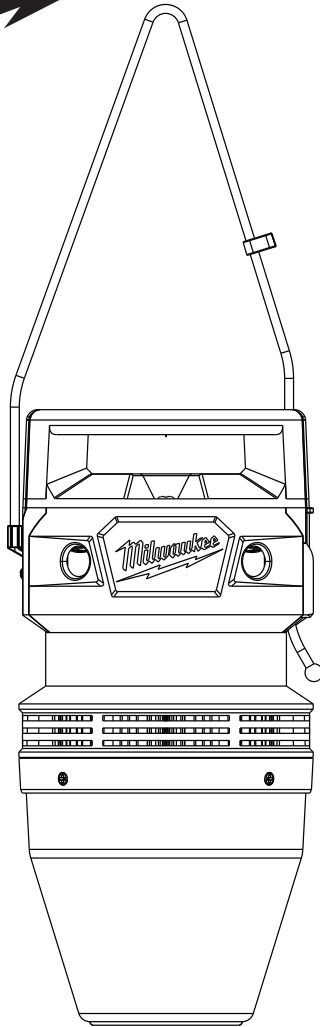




## OPERATOR'S MANUAL



Cat. No.  
**HOBL 7000**

## LED 70W HIGH BAY LIGHT

### **WARNING**

To reduce the risk of injury, user must read and understand operator's manual.



## IMPORTANT SAFETY INSTRUCTIONS

### **⚠️ WARNING**

Read all safety warnings and all instructions. Failure to follow the warnings and instructions may result in electric shock, fire and/or serious injury. **Save all warnings and instructions for future reference.**

### WORK AREA SAFETY

- **To reduce the risk of injury, close supervision is necessary** when an appliance is used near children.
- **Store idle light out of reach of children.** Warm lights can become hazardous in the hands of children.

### ELECTRICAL SAFETY

- **Power cord plugs must match the outlet. Never modify the plug in any way.** Unmodified plugs and matching outlets will reduce risk of electric shock.
- **Avoid body contact with earthed or grounded surfaces, such as pipes, radiators, ranges and refrigerators.** There is an increased risk of electric shock if your body is earthed or grounded.
- **Suitable for damp locations. Store indoors.**
- **To reduce the risk of electric shock, do not put light in water or other liquid.** Do not place or store appliance where it can fall or be pulled into a tub or sink.
- **Secure wiring cover and hanging cable before use.**
- **Do not abuse the cord. Never use the cord for carrying, pulling or unplugging the power tool. Keep cord away from heat, oil, sharp edges or moving parts.** Damaged or entangled cords increase the risk of electric shock.
- **Keep cords dry and off the floor. Arrange cords carefully to avoid hazardous environments.** Tripping or snagging on cords can cause injury and product damage. Do not allow cords to run through puddles or across wet floor.
- **Do not unplug by pulling on the cord.** To unplug, grasp the plug, not the cord.
- **Unplug the cord from outlet when not in use and before servicing or cleaning.**
- **Always use a suitable extension cord to reduce the risk of electric shock.**
- **Connect to a properly earthed outlet. If operating a light in a damp location is unavoidable, use a residual current device (RCD) protected supply.** Use of an RCD reduces the risk of electric shock.
- **Always install light in accordance with local and national codes.**

### PERSONAL SAFETY

- **Do not overreach. Keep proper footing and balance at all times.** This enables better control of the light in unexpected situations.
- **Do not use on a ladder or unstable support.** Stable footing on a solid surface enables better control of the light in unexpected situations.

## SERVICE

- **Have your light serviced by a qualified repair person using only identical replacement parts.** This will ensure that the safety of the light is maintained.

### SPECIFIC SAFETY RULES

- **Maintain labels and nameplates.** These carry important information. If unreadable or missing, contact a MILWAUKEE service facility for a replacement.

### EXTENSION CORDS

As the distance from the supply outlet increases, you must use a heavier gauge extension cord. Using extension cords with inadequately sized wire causes a serious drop in voltage, resulting in loss of power and possible tool damage. The larger the diameter number of the wire, the greater the capacity of the cord. For example, a 1.5mm<sup>2</sup> cord can carry a higher current than a 1.0mm<sup>2</sup> cord. When using more than one extension cord to make up the total length, be sure each cord contains at least the minimum wire size required. If you are using one extension cord for more than one light, add the nameplate amperes and use the sum to determine the required minimum wire size.

### Guidelines for Using Extension Cords

- If the external flexible cord of this luminaire is damaged, it shall be exclusively replaced by the manufacturer or his service agent or a similar qualified person in order to avoid a hazard.
- Protect your extension cords from sharp objects, excessive heat and damp or wet areas.
- When stringing lights together, consider the total Amperes draw when selecting the extension cords.

## READ AND SAVE ALL INSTRUCTIONS FOR FUTURE USE.

### EARTHING

- **⚠️ DANGER** Improperly connecting the earthing wire can result in the risk of electric shock. Check with a qualified electrician if you are in doubt as to whether the outlet is properly earthed. Do not modify the plug provided with the light. Never remove the earthing prong from the plug. Do not use the light if the cord or plug is damaged. If damaged, have it repaired by a MILWAUKEE® service facility before use. If the plug will not fit the outlet, have a proper outlet installed by a qualified electrician.

## Earthed Tools

The plug must be connected to a properly earthed outlet (See Figure A). If the tool should electrically malfunction or break down, earthing provides a low resistance path to carry electricity away from the user, reducing the risk of electric shock.

The earthing prong in the plug is connected through the green/yellow wire inside the cord to the earthing system in the tool. The green/yellow wire in the cord must be the only wire connected to the tool's earthing system and must never be attached to an electrically "live" terminal.

Your tool must be plugged into an appropriate outlet, properly installed and earthed in accordance with all codes and ordinances. The plug and outlet should look like those in Figure A.

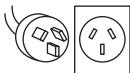
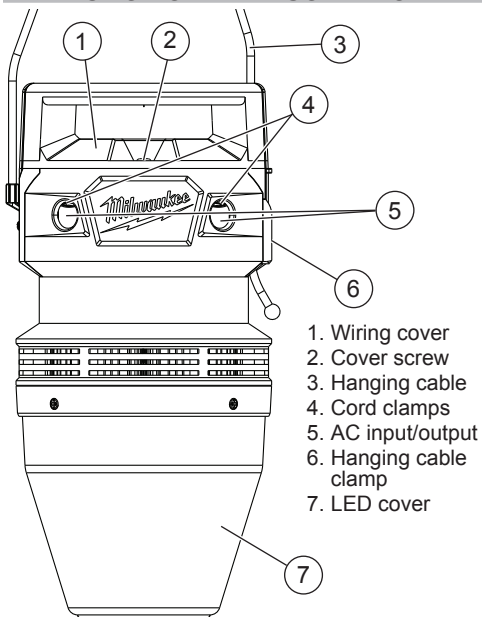


Figure A.

## SPECIFICATIONS

Cat. No.....	HOB1 7000
AC Input Volts.....	230-240V
AC Input Watts.....	70W
AC Output Volts.....	230-240V
Max AC Output Watts.....	2300W

## FUNCTIONAL DESCRIPTION

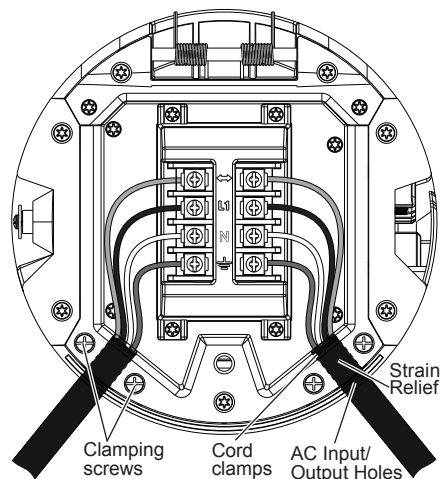


## SYMBOLOLOGY

- Volts
- Alternating Current
- Watts
- Amps
- Electrical Shock Hazard
- Read Operator's Manual
- Do not stare at the operating light source
- Regulatory Compliance mark (RCM). This product meets applicable regulatory requirements.

## ASSEMBLY

**WARNING** To reduce the risk of injury, always unplug light before changing or removing accessories. Only use accessories specifically recommended for this tool. Others may be hazardous.



## OPERATION

### Daisy Chain Option

These lights can be connected in a 'daisy chain' style configuration. This must be completed by a licensed electrical worker with a maximum of ten units in one connection chain.

## OPERATION

**⚠WARNING** To reduce the risk of injury, do not look directly into the light when the light is on.

### Using the Light

Use the hanging cable to secure the light in an overhead position. To use, feed the cable into the cable clamp. Pull the free end of the cable to tighten. Ensure the cable is fully seated in the cable clamp before use.

To turn the light on or off, plug into AC power.

## MAINTENANCE

**⚠WARNING** To reduce the risk of injury, always unplug the light before performing any maintenance. Never disassemble the light. Contact a **MILWAUKEE®** service facility for ALL repairs.

### Maintain Light

Keep your light in good repair by adopting a regular maintenance program. If the light does not work properly, return the light to a **MILWAUKEE®** service facility for repairs.

The light source contained in this luminaire shall only be replaced by the manufacturer or his service agent or a similar qualified person.

**⚠WARNING** To reduce the risk of personal injury electric shock and damage, never immerse your light in liquid or allow a liquid to flow inside it.

### Cleaning

Clean dust and debris from vents. Keep handles clean, dry and free of oil or grease. Use only mild soap and a damp cloth to clean, since certain cleaning agents and solvents are harmful to plastics and other insulated parts. Some of these include gasoline, turpentine, lacquer thinner, paint thinner, chlorinated cleaning solvents, ammonia and household detergents containing ammonia. Never use flammable or combustible solvents around lights.

## ACCESSORIES

**⚠WARNING** Use only recommended accessories. Others may be hazardous.

For a complete listing of accessories, go online to

[www.milwaukeetools.com.au/](http://www.milwaukeetools.com.au/)

[www.milwaukeetools.co.nz](http://www.milwaukeetools.co.nz) or contact a distributor.

## WARRANTY - AUSTRALIA and NEW ZEALAND

Please refer to Australian and New Zealand warranty supplied with tool. This warranty applies only to product sold in Australia and New Zealand.

## SERVICE - AUSTRALIA and NEW ZEALAND

**MILWAUKEE®** prides itself in producing a premium quality product that is Nothing But Heavy Duty®.

Your satisfaction with our products is very important to us! If you encounter any problems with the operation of this tool, please contact your authorised **MILWAUKEE®** dealer.

For a list of **MILWAUKEE®** dealers, guarantee or service agents please contact **MILWAUKEE®** Customer Service or visit our website.

(Australia Toll Free Telephone Number 1300 645 928)

(New Zealand Toll Free Telephone Number 0800 279 624)

or visit [www.milwaukeetools.com.au](http://www.milwaukeetools.com.au) / [www.milwaukeetools.co.nz](http://www.milwaukeetools.co.nz).

### Milwaukee Electric Tool Corporation

13135 West Lisbon Road, Brookfield, Wisconsin U.S.A. 53005

### Milwaukee Tool (Australia)

21 Kelleetts Road, Rowville, VIC 3178  
Melbourne, Australia

### Milwaukee Tool (New Zealand)

2 Landing Drive, Mangere  
Auckland, 2022, New Zealand

Designed by Milwaukee Electric Tool Corp.

Professionally Made in China for Milwaukee Tool (Australia) / Milwaukee Tool (New Zealand)

Printed in China