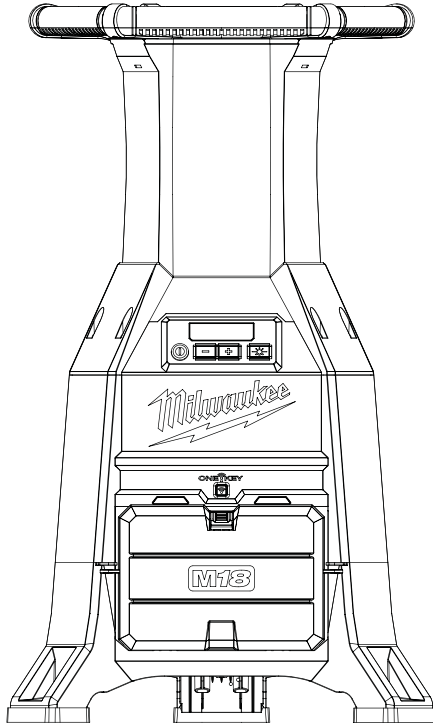




OPERATOR'S MANUAL

DRAFT



Cat. No.
M18 ONESLDP

M18™ SITE LIGHT/CHARGER WITH ONE-KEY™

 **WARNING**

To reduce the risk of injury, user must read and understand operator's manual.



IMPORTANT SAFETY INSTRUCTIONS



Read all safety warnings and all instructions. Failure to follow

the warnings and instructions may result in electric shock, fire and/or serious injury. **Save all warnings and instructions for future reference.**

WORK AREA SAFETY

- **To reduce the risk of injury, close supervision is necessary** when an appliance is used near children.
- **Store idle light out of reach of children.** Warm lights can become hazardous in the hands of children.
- If the external flexible cable or cord of this luminaire is damaged, it shall be exclusively replaced by the manufacturer or service agent or a similar qualified person in order to avoid a hazard.
- The plug shall be connected to a socket-outlet that provided at least IP54 degree of protection against harmful ingress of dust and moisture.

ELECTRICAL SAFETY

- **Power cord plugs must match the outlet. Never modify the plug in any way. Do not use any adapter plugs with earthed (grounded) power tools.** Unmodified plugs and matching outlets will reduce risk of electric shock.
- **Avoid body contact with earthed or grounded surfaces, such as pipes, radiators, ranges and refrigerators.** There is an increased risk of electric shock if your body is earthed or grounded.
- **To reduce the risk of electric shock, do not put light in water or other liquid.** Do not place or store appliance where it can fall or be pulled into a tub or sink.
- **Do not abuse the cord. Never use the cord for carrying, pulling or unplugging the power tool. Keep cord away from heat, oil, sharp edges or moving parts.**
- **Arrange cords carefully to avoid hazardous environments.** Tripping or snagging on cords can cause injury and product damage. Do not allow cords to run through puddles or across wet ground.
- **Do not unplug by pulling on the cord.** To unplug, grasp the plug, not the cord.
- **Unplug the cord from outlet when not in use and before servicing or cleaning.**
- **Always use a suitable extension cord to reduce the risk of electric shock.**
- **If operating a light in a damp location is unavoidable, use a residual current device (RCD) protected supply.** Use of a RCD reduces the risk of electric shock.

PERSONAL SAFETY

- **Do not overreach. Keep proper footing and balance at all times.** This enables better control of the light in unexpected situations.
- **Do not use on a ladder or unstable support.** Stable footing on a solid surface enables better control of the light in unexpected situations.

BATTERY TOOL USE AND CARE

- **Recharge only with the charger specified by the manufacturer.** A charger that is suitable for one type of battery pack may create a risk of fire when used with another battery pack.
- **Use light only with specifically designated battery**

packs. Use of any other battery packs may create a risk of injury and fire.

- **When battery pack is not in use, keep it away from other metal objects, like paper clips, coins, keys, nails, screws or other small metal objects, that can make a connection from one terminal to another.** Shorting the battery terminals together may cause burns or a fire.
- **Under abusive conditions, liquid may be ejected from the battery; avoid contact. If contact accidentally occurs, flush with water. If liquid contacts eyes, additionally seek medical help.** Liquid ejected from the battery may cause irritation or burns.
- **Do not use a battery pack or tool that is damaged or modified.** Damaged or modified batteries may exhibit unpredictable behavior resulting in fire, explosion or risk of injury.
- **Do not expose a battery pack or tool to fire or excessive temperature.** Exposure to fire or temperature above 130°C (265°F) may cause explosion.
- **Follow all charging instructions and do not charge the battery pack or tool outside the temperature range specified in the instructions.** Charging improperly or at temperatures outside the specified range may damage the battery and increase the risk of fire.

CHARGER USE AND CARE

- **Caution - To reduce the risk of injury, charge MILWAUKEE® Lithium-Ion packs only in their MILWAUKEE® Lithium-Ion charger.** Other types of batteries may burst causing personal injury and damage. Do not wire a battery pack to a power supply plug or car cigarette lighter. Batteries will be permanently disabled or damaged.
- **Charge only MILWAUKEE® M18™ Lithium-Ion packs.** Other types of batteries may burst causing personal injury or damage.
- **Avoid dangerous environments.** Do not charge battery pack in rain, snow, damp or wet locations. Do not use battery pack or charger in the presence of explosive atmospheres (gaseous fumes, dust or flammable materials) because sparks may be generated when inserting or removing battery pack, possibly causing fire.
- **Charge in a well ventilated area.** Do not block charger vents. Keep them clear to allow proper ventilation. Do not allow smoking or open flames near a charging battery pack. Vented gases may explode.
- **Maintain charger cord.** When unplugging charger, pull plug rather than cord to reduce the risk of damage to the electrical plug and cord. Never carry charger by its cord. Keep cord from heat, oil and sharp edges. Make sure cord will not be stepped on, tripped over or subjected to damage or stress. Do not use charger with damaged cord or plug. Have a damaged charger replaced immediately.
- **Use only recommended attachments.** Use of an attachment not recommended or sold by the battery charger or battery pack manufacturer may result in a risk of fire, electric shock or personal injury.
- **Unplug charger** when not in use. Remove battery packs from unplugged chargers.
- **To reduce the risk of electric shock, always unplug charger before cleaning or maintenance.** Do not allow water to flow into AC/DC plug. Use a Residual Current Device (RCD) to reduce shock hazards.
- **Store your battery and charger** in a cool, dry place. Do not store battery pack where temperatures may exceed 50°C (120°F) such as in direct sunlight, a vehicle or metal building during the summer.

SERVICE

- **Have your light serviced by a qualified repair person using only identical replacement parts.** This will ensure that the safety of the light is maintained.
- **Never service damaged battery packs.** Service of battery packs should only be performed by the manufacturer or authorised service providers.

SPECIFIC SAFETY RULES



CAUTION: Do not ingest battery – Chemical burn hazard
This product contains a coin/button cell battery. If the coin/button cell battery is swallowed, it can cause severe internal burns in just 2 hours and can lead to death.

Keep new and used batteries away from children. If the battery compartment does not close securely, stop using the product and keep it away from children.

If you think batteries might have been swallowed or placed inside any part of the body, seek immediate medical attention.

- **Maintain labels and nameplates.** These carry important information. If unreadable or missing, contact a **MILWAUKEE®** service facility for a replacement.

ADDITIONAL SAFETY RULES

This appliance is not intended for use by persons (including children) with reduced physical, sensory or mental capabilities, or lack of experience and knowledge, unless they have been given supervision or instruction concerning use of the appliance by a person responsible for their safety.

Children should be supervised to ensure that they do not play with the appliance.

ADDITIONAL BATTERY SAFETY RULES

Warning! To reduce the risk of fire, personal injury, and product damage due to a short circuit, never immerse your tool, battery pack or charger in fluid or allow a fluid to flow inside them. Corrosive or conductive fluids, such as seawater, certain industrial chemicals, and bleach or bleach-containing products, etc., can cause a short circuit.

SPECIFICATIONS

Cat. No.....	M18 ONESLDP			
Ingress Protection (AC output door closed).....	IP54			
Ingress Protection (AC output door open).....	IP40			
Max Number of Lights in Sequence	8			
Battery Type	M18™			
Charger Type.....	M18™			
Battery Input Volts.....	18			
Battery Input Amps.....	4.5A			
Charger Output Volts.....	18			
Charger Output Amps.....	3A			
AC Input Volts.....	220-240			
AC Input Amps.....	1.2A			
AC Input Watts.....	190W			
AC Output Volts.....	220-240			
AC Output Amps.....	8.8A*			
AC Output Watts.....	2100W			

Type	Rated voltage	Rated capacity	Cell type	Cell number
M18B2	18V	2.0 Ah	Li-ion	5
M18B4	18V	4.0 Ah	Li-ion	2 x 5
M18B5	18V	5.0 Ah	Li-ion	2 x 5
M18B6	18V	6.0 Ah	Li-ion	2 x 5
M18B9	18V	9.0 Ah	Li-ion	3 x 5

Recommended Ambient

Charging Temperature..... 5°C to 40°C
(40°F to 105°F)

- * Reduce AC Output Amps by 1.2A (276W) per additional light added in sequence.

SYMBOLGY

V Volts

— Direct Current

~ Alternating Current

A Amps

Hz Hertz

T3.15A Time-lag fuse 3.15A

Do not step

Do not stare at the operating light source

Caution, risk of electric shock

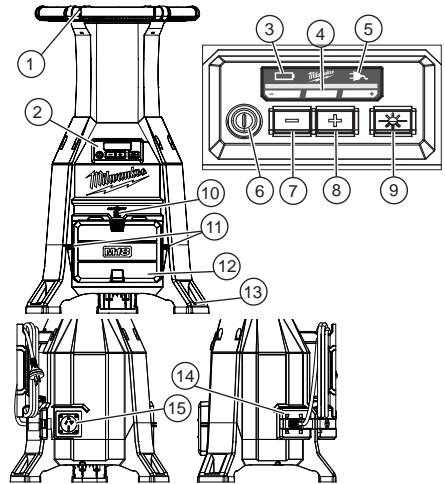
Regulatory Compliance mark (RCM).
This product meets applicable regulatory requirements.

Read operator's manual

Class II, double insulated

Do not dispose of electric tools together with household waste material. Electric tools and electronic equipment that have reached the end of their life must be collected separately and returned to an environmentally compatible recycling facility.

FUNCTIONAL DESCRIPTION



1. Handle
2. Control panel
3. Battery power indicator
4. Brightness indicator
5. AC power indicator
6. Power button
7. Decrease brightness button
8. Increase brightness button
9. Area selector
10. ONE-KEY indicator
11. Battery door locks
12. Battery door
13. Screw holes
14. AC cord
15. AC output

GROUNDING

⚠ DANGER Improperly connecting the grounding wire can result in the risk of electric shock. Check with a qualified electrician if you are in doubt as to whether the outlet is properly grounded. Do not modify the plug provided with the tool. Never remove the grounding prong from the plug. Do not use the tool if the cord or plug is damaged. If damaged, have it repaired by a **MILWAUKEE®** service facility before use. If the plug will not fit the outlet, have a proper outlet installed by a qualified electrician.

EXTENSION CORDS

Grounded tools require a three wire extension cord. Double insulated tools can use either a two or three wire extension cord. As the distance from the supply outlet increases, you must use a heavier gauge extension cord. Using extension cords with inadequately sized wire causes a serious drop in voltage, resulting in loss of power and possible tool damage. Refer to the table shown to determine the required minimum wire size.

The smaller the gauge number of the wire, the greater the capacity of the cord. For example, a 14 gauge cord can carry a higher current than a 16 gauge cord. When using more than one extension cord to make up the total length, be sure each cord contains at least the minimum wire size required. If you are using one extension cord for more than one tool, add the nameplate amperes and use the sum to determine the required minimum wire size.

Guidelines for Using Extension Cords

- If you are using an extension cord outdoors, be sure it is acceptable for outdoor use.
- Be sure your extension cord is properly wired and in good electrical condition. Always replace a damaged extension cord or have it repaired by a qualified person before using it.
- Protect your extension cords from sharp objects, excessive heat and damp or wet areas.
- When stringing lights together, consider the total Amperes draw when selecting the extension cords.

**Recommended Minimum Wire Size (mm²)
For Extension Cords***

Nameplate Amperes	Extension Cord Length				
	7.5m	15m	23m	30.5m	45m
0 - 2.0	1.0	1.0	1.0	1.0	1.5
2.1 - 3.4	1.0	1.0	1.0	1.5	2.0
3.5 - 5.0	1.0	1.0	1.5	2.0	4.0
5.1 - 7.0	1.0	1.5	2.0	4.0	4.0
7.1 - 12.0	1.5	2.0	4.0	6.0	--
12.1 - 16.0	2.0	4.0	6.0	--	--
16.1 - 20.0	4.0	4.0	--	--	--

* Based on limiting the line voltage drop to five volts at 150% of the rated amperes.

READ AND SAVE ALL INSTRUCTIONS FOR FUTURE USE.

ASSEMBLY

⚠ WARNING Recharge only with the charger specified for the battery. For specific charging instructions, read the operator's manual supplied with your charger and battery.

Inserting/Removing the Batteries

Insert each battery pack by sliding battery pack(s) into the body of the tool. Insert each battery pack until the battery latches lock.

To **remove** the battery pack(s), press in both battery latches and slide each battery pack off of the tool.

Inserting/Removing Extension Cords

When not using the AC option, make sure the AC doors are closed completely.

To operate the light on AC Power, plug AC cord into an AC outlet.

When running the light on AC Power, an extension cord can be run from the light. Open the door and plug in a suitable extension cord.

NOTE: Do not exceed 8.8A (2100W) of output. Reduce AC Output Amps by 1.2A (276W) per additional light added in sequence.

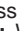
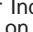

ONE-KEY™

To learn more about the ONE-KEY functionality for this tool, please reference the Quick Start guide included with this product or go to milwaukeeetool.com/One-Key. To download the ONE-KEY app, visit the App Store or Google Play from your smart device.


LIGHT OPERATION

⚠ WARNING To reduce the risk of injury, do not look directly into the light when the light is on.

Using the Light

1. Insert battery pack(s) or plug into AC power.
2. Press the Power  button to turn on the light.
NOTE: When the light is running on battery, the Battery Power Indicator  will light. When the light is running on AC power, the AC Power Indicator  will light.
3. Press the - and + buttons to cycle through **High** (9000 lumens), **Medium** (4800 lumens), and **Low** (2500 lumens).

NOTE: The light will default to the selected brightness the next time it is turned on.

4. Press the Area Selector  button to select front, back, or full lighting. The light will default to the selected area the next time it is turned on.

5. Press the Power  button to turn the light off.

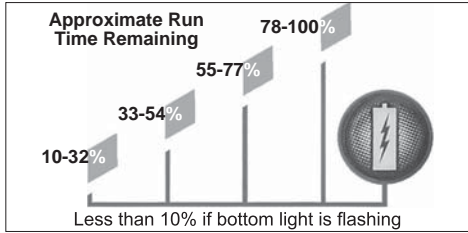
NOTE: On battery power, the second battery pack inserted will begin operation when the first pack inserted has reached end-of-charge.

NOTE: When using the light with AC input, the light will default to full brightness and full lighting. Area selector and brightness adjustment buttons will be disabled. Adjust the brightness using the ONE-KEY™ app. Refer to the Quick Start guide included with this product or go to www.milwaukeeetools.com.au/one-key / www.milwaukeeetools.co.nz/one-key

BATTERY OPERATION

Fuel Gauge

Use the Fuel Gauge to determine the battery pack's remaining run time. Press the Fuel Gauge button to display the lights. The Fuel Gauge will light up for 2-3 seconds. When less than 10% of charge is left, 1 light on the fuel gauge will flash slowly.



NOTE: If the Fuel Gauge doesn't appear to be working, place the battery pack on the charger and charge as needed.

Compared to NiCd battery pack types, *MILWAUKEE*[®] Lithium-Ion battery packs deliver fade-free power for their entire run time. The tool will not experience a slow, gradual loss of power as you work. To signal the end of discharge, 1 light on the fuel gauge will flash quickly for 2-3 seconds and the tool will not run. Charge the battery pack.

NOTE: Immediately after using the battery pack, the Fuel Gauge may display a lower charge than it will if checked a few minutes later. The battery cells "recover" some of their charge after resting.

Battery Pack Protection

To protect itself from damage and extend its life, the battery pack's intelligent circuit monitors current draw and temperature. In extremely high torque, binding, stalling, and short circuit situations, the battery pack will turn OFF the tool if the current draw becomes too high. All the fuel gauge lights will flash. Release the trigger and restart.

Under extreme circumstances, the internal temperature of the battery could become too high. If this happens, the fuel gauge lights will flash in an alternating pattern and the tool will not run. Allow the battery to cool down.

Fuel Gauge Lights	Diagnosis	Solution
Lights 1 - 4 Solid	Remaining run time	Continue working
1 Light, flashing slowly	Less than 10% run time left	Prepare to charge pack
1 Light, flashing quickly	End of discharge	Charge pack
Lights 1-4, flashing quickly	Current draw too high	Release trigger and restart, reduce pressure
Lights 1&3 / 2&4, flashing alternately	Battery temperature too high	Release trigger and allow battery to cool

Cold Weather Operation

MILWAUKEE[®] Lithium-Ion battery packs are designed to operate in temperatures below freezing. When the battery pack is too cold, it may need to warm up before normal use. Put the battery on a tool and use the tool in a light application. It may "buzz" for a short time until it warms up. When the buzzing stops, use the tool normally.

Maintenance and Storage

Do not expose your battery pack or cordless tools to water or rain, or allow them to get wet. This could damage the tool and battery pack. Do not use oil or solvents to clean or lubricate your battery pack. The plastic casing will become brittle and crack, causing a risk of injury.

Store battery packs at room temperature away from moisture. Do not store in damp locations where corrosion of terminals may occur. As with other battery pack types, permanent capacity loss can result if the pack is stored for long periods of time at high temperatures (over 49°C (120°F)). *MILWAUKEE*[®] Lithium-Ion battery packs maintain their charge during storage longer than other battery pack types. After about a year of storage, charge the pack as normal.

Transport

Personal transport of Li-Ion battery packs is allowed when done in accordance with these warnings and instructions. The proper classification, packaging, labeling, marking, and documentation requirements for shipping Li-Ion batteries is dependent upon whether the particular batteries are rated greater than or less than 100 Wh (Watt Hours) can be found on the battery pack nameplate). Generally, Li-Ion batteries rated 100 Wh or less are "excepted" from certain Class 9 DG requirements. Always check compliance of Li-Ion battery consignments against the current regulations governing the chosen mode of transport. When in doubt, contact the carrier or other trained Dangerous Goods professional to confirm acceptability. Li-Ion packs are shipped under classification UN 3480 (battery only) or UN 3481 (batteries contained in or packed with equipment).

⚠ WARNING To reduce the risk of injury or explosion, never burn or incinerate a battery pack even if it is damaged, dead or completely discharged. When burned, toxic fumes and materials are created.

Disposing of *MILWAUKEE*[®] Lithium-Ion Battery Packs

MILWAUKEE[®] Lithium-Ion battery packs are more environmentally friendly than some other types of power tool battery packs (e.g., nickel-cadmium). Always dispose of your battery pack according to federal, state and local regulations. Contact a recycling agency in your area for recycling locations. Even discharged battery packs contain some energy. Before disposing, use electrical tape to cover the terminals to prevent the battery pack from shorting, which could cause a fire or explosion.

RBRC Battery Recycling Seals

The RBRC™ Battery Recycling Seals (see "Symbology") on your tool battery packs indicate that **MILWAUKEE**® has arranged for the recycling of that battery pack with the Rechargeable Battery Recycling Corporation (RBRC). At the end of your battery pack's useful life, return the battery pack to a **MILWAUKEE**® Branch Office/Service Centre or the participating retailer nearest you. For more information, visit the RBRC web site at www.rbrc.org.

CHARGER OPERATION

WARNING Charge only **MILWAUKEE**® M18™ Lithium-Ion batteries in this **MILWAUKEE**® Lithium-Ion charger. Other types of batteries may cause personal injury and damage.

When to Charge the Battery Pack

Remove the battery pack from the tool for charging when convenient for you and your job. **MILWAUKEE**® batteries do not develop a "memory" when charged after only a partial discharge. It is not necessary to run down the battery pack before placing it on the charger.

- Use the Fuel Gauge to determine when to charge your **MILWAUKEE**® Lithium-Ion battery pack.
- You can "Top-Off" your battery pack's charge before starting a big job or long day of use.
- The only time it is necessary to charge the **MILWAUKEE**® Lithium-Ion battery pack is when the battery pack has reached the end of its charge. To signal the end of charge, power to the tool will drop quickly, allowing you just enough power to finish making a cut, drilling a hole, or driving a fastener. Charge the battery pack as needed.

How to Charge the Battery Pack

Plug the light into a 220-240V outlet. The battery packs will not charge if the Site Light Charger is not plugged in. Align the battery pack with the bay and slide the battery pack into the charger as far as possible.

- When a battery pack is inserted into the charger, the LEDs will indicate the following:



Continuous red: Charging



Continuous green light: Charging is complete



Flashing red: Battery is too hot/cold



Charging will begin when battery reaches correct charging temperature



Flashing red/green: Damaged or faulty battery pack

- A fully discharged battery pack with an internal temperature in the normal range will charge in about 30 to 170 minutes, depending on the battery pack.
- Heavily cycled batteries may take longer to charge completely.
- The Fuel Gauge lights on the battery pack are displayed as the pack is being charged, indicating how fully charged the pack is. The fuel gauge will turn off when charging is complete.
- After charging is complete, the continuous green light will come on.
- The charger will keep the battery pack fully charged if it is left on the charger.
- The second pack inserted in the charger will begin charging when the first pack inserted is fully charged.

MAINTENANCE

WARNING To reduce the risk of injury, always unplug the tool and charger and remove the battery pack from the charger or tool before performing any maintenance. Never disassemble the tool, battery pack or charger. Contact a **MILWAUKEE**® service facility for ALL repairs.

WARNING The light source contained in this luminaire shall only be replaced by the manufacturer or his service agent or a similar qualified person.

Maintain Light

Keep your light, battery pack and charger in good repair by adopting a regular maintenance program. If the light does not work properly, return the light to a **MILWAUKEE**® service facility for repairs.

WARNING Chemical Burn Hazard.

This device contains a lithium button/coin cell battery. A new or used battery can cause severe internal burns and lead to death in as little as 2 hours if swallowed or enters the body. Always secure the battery cover. If it does not close securely, stop using the device, remove the batteries, and keep it away from children. If you think batteries may have been swallowed or entered the body, seek immediate medical attention.



Internal Battery

An internal battery is used to facilitate full ONE-KEY™ functionality.

To replace the battery:

1. Remove the battery pack(s) and AC cord connections.
2. Open the battery bay. Twist the cap located in the battery bay a quarter turn.
3. Remove the old battery. **WARNING!** Always keep batteries away from children and dispose of properly; new and used batteries can cause injury.
4. Insert the new battery (Cat. No. 50-11-0025). Always use **MILWAUKEE**® replacement batteries; others may not be rated for high temperatures.
5. Replace the cap and close the battery bay.

WARNING To reduce the risk of personal injury and damage, never immerse your tool, battery pack or charger in liquid or allow a liquid to flow inside them.

Cleaning

Clean dust and debris from vents. Keep handles clean, dry and free of oil or grease. Use only mild soap and a damp cloth to clean, since certain cleaning agents and solvents are harmful to plastics and other insulated parts. Do not use sprays or solvents. Some of these include gasoline, turpentine, lacquer thinner, paint thinner, chlorinated cleaning solvents, ammonia and household detergents containing ammonia. Never use flammable or combustible solvents around tools.

ACCESSORIES

WARNING Use only recommended accessories. Others may be hazardous.

For a complete listing of accessories, go online to www.milwaukeekeetools.com.au/ or www.milwaukeekeetools.co.nz/ or contact a distributor.

WARRANTY - AUSTRALIA and NEW ZEALAND

Please refer to Australian and New Zealand warranty supplied with tool. This warranty applies only to product sold in Australia and New Zealand.

SERVICE - AUSTRALIA and NEW ZEALAND

MILWAUKEE[®] prides itself in producing a premium quality product that is Nothing But Heavy Duty[®]. Your satisfaction with our products is very important to us! If you encounter any problems with the operation of this tool, please contact your authorised *MILWAUKEE*[®] dealer.

For a list of *MILWAUKEE*[®] dealers, guarantee or service agents please contact *MILWAUKEE*[®] Customer Service or visit our website.

(Australia Toll Free Telephone Number 1300 645 928)

(New Zealand Toll Free Telephone Number 0800 279 624)

or visit www.milwaukeetools.com.au / www.milwaukeetools.co.nz.

Milwaukee Electric Tool Corporation

13135 West Lisbon Road, Brookfield, Wisconsin U.S.A. 53005

Milwaukee Tool (Australia)

21 Kelleets Road, Rowville, VIC 3178
Melbourne, Australia

Milwaukee Tool (New Zealand)

2 Landing Drive, Mangere
Auckland, 2022, New Zealand

Designed by Milwaukee Electric Tool Corp.

Professionally Made in China for Milwaukee Tool (Australia) / Milwaukee Tool (New Zealand)

Printed in China