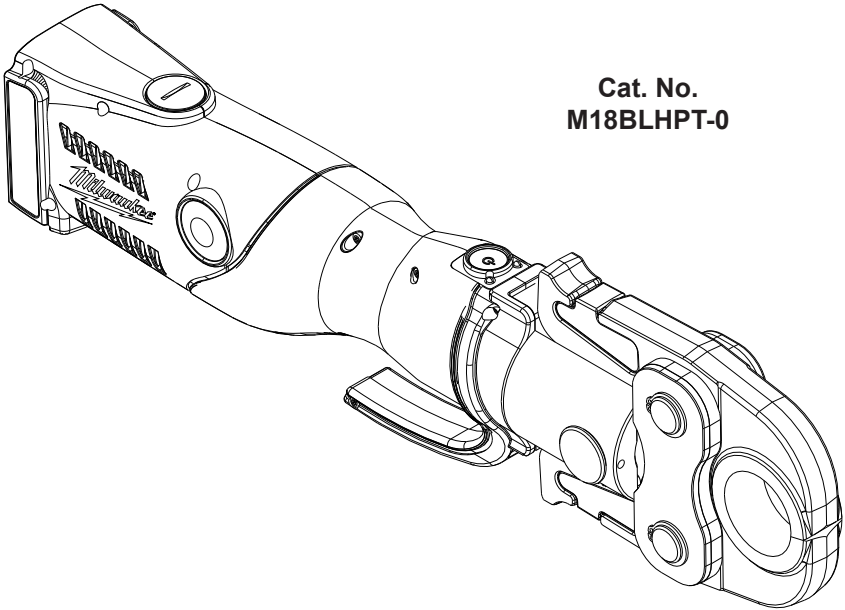




OPERATOR'S MANUAL



Cat. No.
M18BLHPT-0

M18™ BRUSHLESS FORCELOGIC™ PRESS TOOL

TO REDUCE THE RISK OF INJURY, USER MUST READ AND UNDERSTAND OPERATOR'S MANUAL.

GENERAL POWER TOOL SAFETY WARNINGS



WARNING READ ALL SAFETY WARNINGS AND ALL INSTRUCTIONS.

Failure to follow the warnings and instructions may result in electric shock, fire and/or serious injury. **Save all warnings and instructions for future reference.** The term "power tool" in the warnings refers to your mains-operated (corded) power tool or battery-operated (cordless) power tool.

WORK AREA SAFETY

- **Keep work area clean and well lit.** Cluttered or dark areas invite accidents.
- **Do not operate power tools in explosive atmospheres, such as in the presence of flammable liquids, gases or dust.** Power tools create sparks which may ignite the dust or fumes.
- **Keep children and bystanders away while operating a power tool.** Distractions can cause you to lose control.

ELECTRICAL SAFETY

- **Power tool plugs must match the outlet. Never modify the plug in any way. Do not use any adapter plugs with earthed (grounded) power tools.** Unmodified plugs and matching outlets will reduce risk of electric shock.
- **Avoid body contact with earthed or grounded surfaces such as pipes, radiators, ranges and refrigerators.** There is an increased risk of electric shock if your body is earthed or grounded.
- **Do not expose power tools to rain or wet conditions.** Water entering a power tool will increase the risk of electric shock.
- **Do not abuse the cord. Never use the cord for carrying, pulling or unplugging the power tool. Keep cord away from heat, oil, sharp edges or moving parts.** Damaged or entangled cords increase the risk of electric shock.
- **When operating a power tool outdoors, use an extension cord suitable for outdoor use.** Use of a cord suitable for outdoor use reduces the risk of electric shock.
- **If operating a power tool in a damp location is unavoidable, use a residual current device (RCD) protected supply.** Use of an RCD reduces the risk of electric shock.

PERSONAL SAFETY

- **Stay alert, watch what you are doing and use common sense when operating a power tool. Do not use a power tool while you are tired or under the influence of drugs, alcohol or medication.** A moment of inattention while operating power tools may result in serious personal injury.
- **Use personal protective equipment. Always wear eye protection.** Protective equipment such as dust mask, non-skid safety shoes, hard hat, or hearing protection used for appropriate conditions will reduce personal injuries.
- **Prevent unintentional starting. Ensure the switch is in the off-position before connecting to power source and/or battery pack, picking up or carrying the tool.** Carrying power tools with your finger on the switch or energising power tools that have the switch on invites accidents.

- **Remove any adjusting key or wrench before turning the power tool on.** A wrench or a key left attached to a rotating part of the power tool may result in personal injury.
- **Do not overreach. Keep proper footing and balance at all times.** This enables better control of the power tool in unexpected situations.
- **Dress properly. Do not wear loose clothing or jewellery. Keep your hair, clothing and gloves away from moving parts.** Loose clothes, jewellery or long hair can be caught in moving parts.
- **If devices are provided for the connection of dust extraction and collection facilities, ensure these are connected and properly used.** Use of dust collection can reduce dust-related hazards.

POWER TOOL USE AND CARE

- **Do not force the power tool. Use the correct power tool for your application.** The correct power tool will do the job better and safer at the rate for which it was designed.
- **Do not use the power tool if the switch does not turn it on and off.** Any power tool that cannot be controlled with the switch is dangerous and must be repaired.
- **Disconnect the plug from the power source and/or the battery pack from the power tool before making any adjustments, changing accessories, or storing power tools.** Such preventive safety measures reduce the risk of starting the power tool accidentally.
- **Store idle power tools out of the reach of children and do not allow persons unfamiliar with the power tool or these instructions to operate the power tool.** Power tools are dangerous in the hands of untrained users.
- **Maintain power tools. Check for misalignment or binding of moving parts, breakage of parts and any other condition that may affect the power tool's operation. If damaged, have the power tool repaired before use.** Many accidents are caused by poorly maintained power tools.
- **Keep cutting tools sharp and clean.** Properly maintained cutting tools with sharp cutting edges are less likely to bind and are easier to control.
- **Use the power tool, accessories and tool bits etc., in accordance with these instructions, taking into account the working conditions and the work to be performed.** Use of the power tool for operations different from those intended could result in a hazardous situation.

BATTERY TOOL USE AND CARE

- **Recharge only with the charger specified by the manufacturer.** A charger that is suitable for one type of battery pack may create a risk of fire when used with another battery pack.

- Use power tools only with specifically designated battery packs. Use of any other battery packs may create a risk of injury and fire.
- When battery pack is not in use, keep it away from other metal objects like paper clips, coins, keys, nails, screws, or other small metal objects that can make a connection from one terminal to another. Shorting the battery terminals together may cause burns or a fire.
- Under abusive conditions, liquid may be ejected from the battery; avoid contact. If contact accidentally occurs, flush with water. If liquid contacts eyes, additionally seek medical help. Liquid ejected from the battery may cause irritation or burns.

SERVICE

- Have your power tool serviced by a qualified repair person using only identical replacement parts. This will ensure that the safety of the power tool is maintained.

SPECIFIC SAFETY RULES

- Use tool only as directed. Only trained personnel should operate tool.
- Do not use tool without crimping head installed. Fingers could be crushed.
- Keep hands away from crimping head while tool is in use. Fingers could be crushed.
- To reduce the risk of injury, wear safety goggles or glasses with side shields. Inspect and discard workpieces with cracks or wear before use. Materials may crack or shatter.

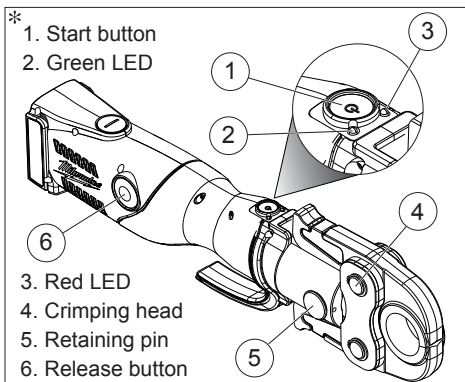
• Recommended to use tool only with MILWAUKEE® crimping heads and to press-fit pipes and fittings for which they are designed. Other uses may cause injury or damage to the tool, accessories, and pipes. Leaking may result. Consult Milwaukee Customer Service for other compatible heads available in your market.

- Recommended to only use MILWAUKEE® crimping head with a compression range rated for this tool.
- Maintain labels and nameplates. These carry important information. If unreadable or missing, contact the store where the product was originally purchased or one of our authorised MILWAUKEE® FORCELOGIC™ service centres.
- WARNING: Some dust created by power sanding, sawing, grinding, drilling, and other construction activities contains chemicals known to cause cancer, birth defects or other reproductive harm. Some examples of these chemicals are:
 - lead from lead-based paint
 - crystalline silica from bricks and cement and other masonry products, and
 - arsenic and chromium from chemically-treated lumber.
 Your risk from these exposures varies, depending on how often you do this type of work. To reduce your exposure to these chemicals: work in a well

SPECIFICATIONS

Cat. No.	Volts DC	Watts	Nominal Force	Compression Range
M18BLHPT-0	18	450	32 kN	< Ø 2" (50mm) Using Jaws < Ø 4" (100mm) Using Ring

FUNCTIONAL DESCRIPTION



SYMBOLGY

	Volts
	Direct Current
	Always wear eye protection.

*Milwaukee jaw sold separately

ASSEMBLY

⚠ WARNING Recharge only with the charger specified for the battery. For specific charging instructions, read the operator's manual supplied with your charger and battery.

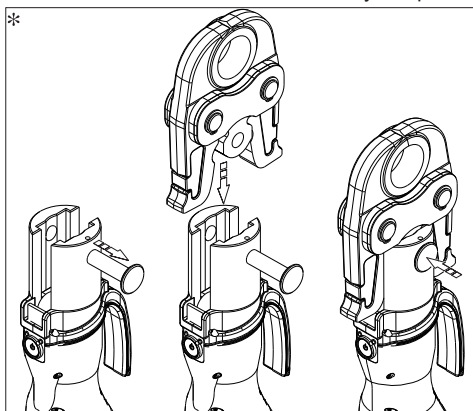
ventilated area, and work with approved safety equipment, such as those dust masks that are specially designed to filter out microscopic particles.

Inserting/Removing the Battery

⚠ WARNING Always remove battery pack before changing or removing accessories. Only use accessories specifically recommended for this tool. Others may be hazardous.

To **remove** the battery, push in the release buttons and pull the battery pack away from the tool.

To **insert** the battery, slide the pack into the body of the tool. Make sure it latches securely into place.



CAUTION To avoid damage to the tool, do not operate the tool without the retaining pin fully inserted. Damage to the cylinder may occur.

*Milwaukee jaw sold separately

OPERATION

⚠ WARNING Always remove battery pack before changing or removing accessories. Only use accessories specifically recommended for this tool. Others may be hazardous.

⚠ WARNING To reduce the risk of injury, wear safety goggles or glasses with side shields.

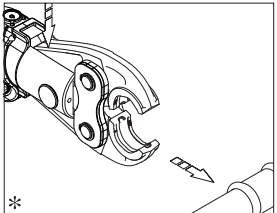
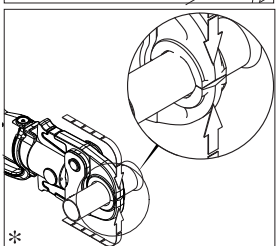
Inserting/Removing the Crimping Head

1. Pull out the retaining pin.
2. Insert the crimping head.
3. Push in the retaining pin (1).

Pressing

- Before beginning a press, inspect the jaw assembly for cracks or other damage. Do not use a damaged jaw assembly. Return damaged jaw assembly to the store where the product was originally purchased or one of our authorised MILWAUKEE® FORCELOGIC™ service centres.
- Before beginning a press, check the fuel gauge to determine whether the battery charge is sufficient to complete the pressing operation.

- The tool will turn off automatically after 30 minutes of no use.
- Inspect and discard workpieces with cracks or wear before use. Materials may crack or shatter.

1. Turn the tool ON by quickly pressing and releasing the start button. 
2. Open the jaws and place around the fitting. 
3. Hold tool securely. Press and hold the start button. The green LED will go out.
4. The automatic press cycle begins. Release the start button and continue to hold the tool securely.
5. When the press cycle is complete the tool will switch off and the green LED will light.
6. To cancel the automatic press cycle, press and hold the release button. Hold tool securely until jaws open and the tool turns off.
7. If the tool is in use for 30 minutes continuously (e.g., on a manufacturing fixture), allow the tool to cool down for at least 15 minutes before continuing. Under normal use (e.g., plumbing/mechanical) press freely and pay attention to the LED indicators (see "Troubleshooting").
8. If the red LED lights, press the start button. If the tool does not run, return the tool to the store where the product was originally purchased or one of our authorised MILWAUKEE® FORCELOGIC™ service centres.
9. If the red and green LED's flash alternately, the tool must be serviced by one of our authorised MILWAUKEE® FORCELOGIC™ service centres.

Troubleshooting

LED	Cause	Solution
Green LED flashing	The battery is not sufficiently charged to complete a pressing operation.	Charge the battery.
	The retaining pin is not correctly shut or has come loose.	Insert the retaining pin, or check the retaining pin and cylinder. NOTE: the pressing operation may not have been completed. Check and repeat if necessary.
Red LED flashing	Device not within operating temperature range.	Bring device into operating temperature range (-10°C to 50°C)
Red LED on	Device fault	Retry operation. If Red LED remains lit, return the tool, charger and battery pack, to a MILWAUKEE® service facility for repairs.
Green and Red LED flashing alternately	Service needed	Return the tool, charger and battery pack, to a MILWAUKEE® service facility for maintenance.

MAINTENANCE

⚠ WARNING To reduce the risk of injury, always unplug the charger and remove the battery pack from the charger or tool before performing any maintenance. Never disassemble the tool, battery pack or charger. Contact a MILWAUKEE® service facility for ALL repairs.

Maintaining Tool

Keep your tool, battery pack and charger in good repair by adopting a regular maintenance program.

After six months to one year, depending on use, return the tool, battery pack and charger to the store where the product was originally purchased or one of our authorised MILWAUKEE® FORCELOGIC™ service centres for:

- Lubrication
- Mechanical inspection and cleaning (gears, spindles, bearings, housing, etc.)
- Electrical inspection (battery pack, charger, motor)
- Testing to assure proper mechanical and electrical operation

If the tool does not start or operate at full power with a fully charged battery pack, clean the contacts on the battery pack. If the tool still does not work properly, return the tool, charger and battery pack, to the store where the product was originally purchased or one of our authorised MILWAUKEE® FORCELOGIC™ service centres.

⚠ WARNING To reduce the risk of personal injury and damage, never immerse your tool, battery pack or charger in liquid or allow a liquid to flow inside them.

Cleaning

Clean dust and debris from charger and tool vents. Keep tool handles clean, dry and free of oil or grease. Use only mild soap and a damp cloth to clean the tool, battery pack and charger since certain cleaning agents and solvents are harmful to plastics and other insulated parts. Some of these include gasoline, turpentine, lacquer thinner, paint thinner, chlorinated cleaning solvents, ammonia and household detergents containing ammonia. Never use flammable or combustible solvents around tools.

Repairs

For repairs, return the tool, jaws, rings, battery pack and charger to the store where the product was originally purchased or one of our authorised MILWAUKEE® FORCELOGIC™ service centres.

ACCESSORIES

⚠ WARNING Always remove battery pack before changing or removing accessories. Only use accessories specifically recommended for this tool. Others may be hazardous.

For a complete listing of accessories refer to your MILWAUKEE® accessories catalogue or go online to milwaukeetools.com.au or milwaukeetools.co.nz. To obtain a catalogue, contact the store where the product was originally purchased or one of our authorised MILWAUKEE® FORCELOGIC™ service centres.

CUSTOMER SERVICE

Australia: 1300 MILWAUKEE (1300 645 928)
www.milwaukeetools.com.au

New Zealand: 0800 279 624
www.milwaukeetools.co.nz



**TECHTRONIC INDUSTRIES PTY LTD
WARRANTY TERMS AND CONDITIONS
FOR MILWAUKEE PRODUCTS AND ACCESSORIES**

Techtronic Industries Australia Pty Ltd ABN 98 002 277 509 and Techtronic Industries New Zealand Limited provide the following warranty in relation to any Milwaukee product (and any accessory supplied with it) that has been purchased in Australia or New Zealand (Product when the Product is determined by Techtronic Industries Australia Pty Ltd or Techtronic Industries New Zealand Limited) to have a defect in its material or workmanship.

The period of the warranty will commence from the date of the sale of the Product by a retailer to the consumer.

1. THIS WARRANTY:

The benefits provided to the consumer in this warranty are in addition to other rights and remedies of a consumer under the Australian *Competition and Consumer Act 2010*, the New Zealand *Consumer Guarantees Act 1993* and any other laws in relation to the Products to which this warranty relates. This warranty:

- (a) covers the Product against faulty materials or workmanship; and
- (b) covers the replacement of parts, the repair labour used, a refund of the price of the Product or other compensation for the remainder of the warranty period.

2. CONSUMER GUARANTEE

For Products sold in Australia, this warranty is subject to the *Competition and Consumer Act 2010*. For Products sold in New Zealand, this warranty is subject to the *Consumer Guarantees Act 1993*.

The Products come with guarantees that cannot be excluded under the consumer laws in Australia and New Zealand. The consumer is entitled to a replacement or refund for a major failure and for compensation for any other reasonably foreseeable loss or damage. The consumer is also entitled to have the Products repaired or replaced if the Products fail to be of acceptable quality and the failure does not amount to a major failure.

3. THIS WARRANTY WILL NOT APPLY IF:

- (a) repairs to the Product are made or attempted by a service provider other than Techtronic Industries Australia Pty Ltd, Techtronic Industries New Zealand Limited or an authorised service centre;
- (b) the product is subject to normal wear and tear. Parts including, but not limited to carbon brushes, bearings, seals and o rings must be regularly inspected so that the wear and tear on such parts do not lead to failure of the tool. For optimum performance the tool should be inspected regularly by an authorised service centre;
- (c) the Product has not been used or maintained in accordance with the manufacturer's instructions as provided with the Product;
- (d) the consumer uses the Product in an abnormal manner for example if the Product is abused, misused, dropped, crushed, impacted with any hard surface, exposed to extreme heat (including fire) or cold, not maintained properly or used after partial failure;
- (e) damage to the Product is caused by sand, water damage, rust corrosion, fire, vermin and/or insect infestation, power outages or surges or inadequate or improper voltage or current;
- (f) the Product has been modified, incorrectly adjusted or operated, subjected to incorrect electrical supply or inconsistent electrical supply or used with inappropriate accessories; or
- (g) the Product is tampered with any way or if the damage has been caused by an extraordinary event or circumstance beyond the control of the consumer or Techtronic Industries Australia Pty Ltd or Techtronic Industries New Zealand Limited.

- (h) The Product's serial number, as applied by the manufacturer, has been altered or removed from the Product.

4. EXCLUSION OF IMPLIED WARRANTIES:

To the fullest extent permitted by law, all warranties, conditions and other terms express or implied by statute, custom or common law are excluded. Nothing contained in these terms and conditions excludes or restricts any consumer guarantee, warranty, condition, right or remedy implied by any statute (including the Australian *Competition and Consumer Act 2010* and the New Zealand *Consumer Guarantees Act 1993*) which cannot be excluded, provided that, to the extent that the statute permits Techtronic Industries Australia Pty Ltd and Techtronic Industries New Zealand Limited are entitled to limit its liability as set out in clause 5 below for a breach of a guarantee, condition or a warranty implied by that statute.

5. UNDER THIS WARRANTY:

- (a) If there is a major failure with the Product, the consumer is entitled to:
 - (i) reject the Products and get an identical replacement, or one similar in value if reasonably available; or
 - (ii) reject the Products and get a refund;
 - (iii) keep the Products and obtain compensation from Techtronic Industries Australia Pty Ltd or Techtronic Industries New Zealand Limited for the drop in value of the product caused by the major failure.
- (b) If there is a minor failure with the Product, the consumer is entitled, at the election of Techtronic Industries Australia Pty Ltd, Techtronic Industries New Zealand Limited to:
 - (i) a replacement of the Product; or
 - (ii) have the Product repaired within a reasonable time; or
 - (iii) a refund of the cost of the Product
- (c) The Products covered by this warranty will be repaired, during normal business hours at the premises of Techtronic Industries Australia Pty Ltd, Techtronic Industries New Zealand Limited or an authorised service centre without cost to the consumer for parts and repair labour.
- (d) The consumer is responsible for freight costs and insurance costs if the Product has to be returned for repair / inspection to Techtronic Industries Australia Pty Ltd, Techtronic Industries New Zealand Limited or the authorised service centre unless the cost of returning, removing or transporting the Product is significant.

6. TO CLAIM THIS WARRANTY:

- (a) The consumer must present the sales docket receipt and product to point of sale or Techtronic Industries Australia Pty Ltd, Techtronic Industries New Zealand Limited or an authorised service centre.
- (b) For Service in Australia the consumer should refer to the Milwaukee website or contact the Australian Customer Support line 1300 361 505 to obtain the nearest authorised service centre.
- (c) For Service in New Zealand the consumer should contact the New Zealand Hotline Application on 0800 279 624 to obtain the nearest authorised service centre.

Techtronic Industries Australia Pty Ltd and Techtronic Industries New Zealand Limited will honour all warranty claims that are submitted by a consumer in accordance with these terms and conditions.

SCHEDULE TO WARRANTY TERMS AND CONDITIONS FOR MILWAUKEE PRODUCTS AND ACCESSORIES

Product type	Warranty period	Product type	Warranty period
Corded power tools	3 (three) years	NiCd & NiMH batteries and chargers	12 (twelve) months
Cordless NiCd & NiMH power tools excluding batteries and chargers	3 (three) years	Lithium-ion batteries, chargers and press tool jaws	2 (two) years
Cordless lithium-ion power tools, excluding batteries and chargers	5 (five) years	Power tool accessories and attachments, including chucks, collets, grinder flanges, drill bits, FIXTEC systems and dust bags	3 (three) months
Cordless lithium-ion powered jackets, excluding batteries and charges	1 (one) year	Consumables; chucks, brushes, O-rings, seals, bearings.	3 (three) months



Purchased from

Address of dealer

Purchase date

Model number

Serial number

MILWAUKEE ELECTRIC TOOL CORPORATION
13135 W Lisbon Rd Brookfield, WI 53005 USA

TECHTRONIC INDUSTRIES AUSTRALIA PTY LIMITED

A.B.N. 98 002 277 509
Level 1, 660 Doncaster Road, Doncaster, VIC 3108
Fax: 1800 807 993
Contact during normal business hours.
email: milwaukee@ttibrands.com.au

All Australian enquiries: 1300 361 505 (toll free)

TECHTRONIC INDUSTRIES N.Z. LIMITED

18-26 Amelia Earhart Avenue,
Mangere, Auckland 2022, N.Z.
Tel: (09) 573 0230 Fax: (09) 573 0231
Contact during normal business hours.
www.milwaukeetools.co.nz

All New Zealand enquiries: 0800 279 624 (toll free)

990150003-09(A)

Milwaukee Electric Tool Corporation
13135 West Lisbon Road, Brookfield, Wisconsin U.S.A. 53005

Milwaukee Electric Tool Corporation (Australia)
Techtronic Industries (Australia) Pty. Ltd.
Doncaster, Victoria, Australia, 3108

Milwaukee Electric Tool Corporation (New Zealand)
Techtronic Industries (New Zealand) Pty. Ltd.
Mangere, Auckland, New Zealand, 2022

Professionally made in China for Milwaukee Electric Tool Corporation