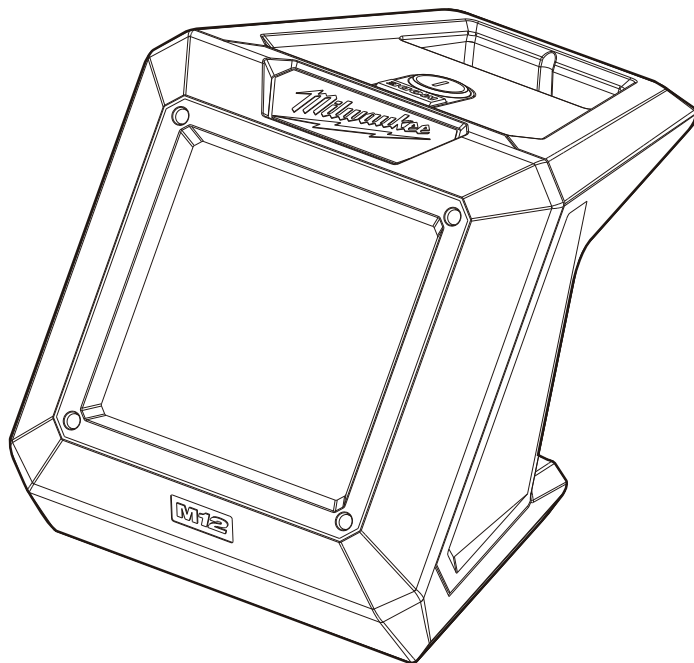




OPERATOR'S MANUAL



Cat. No.
M12 AL

M12™ ROVER™ COMPACT FLOOD LIGHT

 **WARNING**

To reduce the risk of injury, user must read and understand operator's manual.



IMPORTANT SAFETY INSTRUCTIONS

!WARNING

Read all safety warnings and all instructions. Failure to follow the warnings and instructions may result in electric shock, fire and/or serious injury. Save all warnings and instructions for future reference.

WORK AREA SAFETY

- To reduce the risk of injury, close supervision is necessary when an appliance is used near children.
- Store idle light out of reach of children. Warm lights can become hazardous in the hands of children.
- Do not use outdoors.

PERSONAL SAFETY

- Do not overreach. Keep proper footing and balance at all times. This enables better control of the light in unexpected situations.
- Do not use on a ladder or unstable support. Stable footing on a solid surface enables better control of the light in unexpected situations.
- To reduce the risk of injury, do not look directly into the light when the flood light is on.

BATTERY TOOL USE AND CARE

- Recharge only with the charger specified by the manufacturer. A charger that is suitable for one type of battery pack may create a risk of fire when used with another battery pack.
- Use light only with specifically designated battery packs. Use of any other battery packs may create a risk of injury and fire.
- When battery pack is not in use, keep it away from other metal objects, like paper clips, coins, keys, nails, screws or other small metal objects, that can make a connection from one terminal to another. Shorting the battery terminals together may cause burns or a fire.
- Under abusive conditions, liquid may be ejected from the battery; avoid contact. If contact accidentally occurs, flush with water. If liquid contacts eyes, additionally seek medical help. Liquid ejected from the battery may cause irritation or burns.
- Do not use a battery pack or tool that is damaged or modified. Damaged or modified batteries may exhibit unpredictable behavior resulting in fire, explosion or risk of injury.
- Do not expose a battery pack or tool to fire or excessive temperature. Exposure to fire or temperature above 130°C (265°F) may cause explosion.
- Follow all charging instructions and do not charge the battery pack or tool outside the temperature range specified in the instructions. Charging improperly or at temperatures outside the specified range may damage the battery and increase the risk of fire.

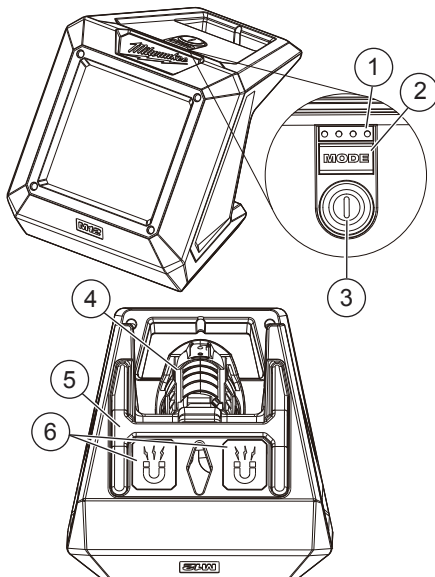
SERVICE

- Have your light serviced by a qualified repair person using only identical replacement parts. This will ensure that the safety of the light is maintained.
- Never service damaged battery packs. Service of battery packs should only be performed by the manufacturer or authorized service providers.

SPECIFIC SAFETY RULES

- Maintain labels and nameplates. These carry important information. If unreadable or missing, contact a MILWAUKEE® service facility for a replacement.

FUNCTIONAL DESCRIPTION



- | | |
|-----------------|----------------|
| 1. Fuel gauge | 4. Battery bay |
| 2. Mode button | 5. Clamp |
| 3. Power button | 6. Magnets |

SYMBOLGY



Volts



Direct Current



Please read the instructions carefully before starting the machine.



Regulatory Compliance mark (RCM). This product meets applicable regulatory requirements.

SPECIFICATIONS

Cat. No.	M12 AL
Battery Type	M12™
Charger Type	M12™
DC Input Volts	12
Max DC Input Amps	1.2

ASSEMBLY

- **!WARNING** Recharge only with the charger specified for the battery. For specific charging instructions, read the operator's manual supplied with your charger and battery.

Inserting/Removing the Battery

Insert the battery pack by sliding battery pack into the body of the tool. Insert the battery pack until the battery latches lock.

To remove the battery pack, press in both battery latches and slide the battery pack off of the tool.

OPERATION

⚠WARNING To reduce the risk of injury, do not look directly into the light when the flood light is on.

To turn on the flood light, press the Power button **Ⓚ**. Press the **MODE** button to cycle through High, Medium and Low settings. To turn off the flood light, press the Power button **Ⓚ** again.

Fuel Gauge

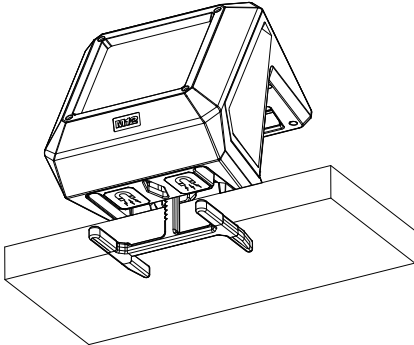
To determine the amount of charge left in the battery, press the Power button **Ⓚ**. The Fuel Gauge will light up for 2-3 seconds.

To signal the end of charge, 1 light on the fuel gauge will flash for 2-3 seconds.

Hang/Mount

There are many ways to orient the flood light to best suit your job.

- Securely hang or hold the flood light from the top handle.
- Use the key-hole to hang the flood light on a screw.
- Use the magnets to secure the flood light to a metal surface at least 3.25 mm (1/8") thick.
- Use the clamp to secure the flood light to a surface no more than 38 mm (1-1/2") thick.



MAINTENANCE

⚠WARNING To reduce the risk of injury, always unplug the tool and charger and remove the battery pack from the charger or tool before performing any maintenance. Never disassemble the tool, battery pack or charger. Contact a MILWAUKEE® service facility for ALL repairs.

Maintain Flood Light

Keep your flood light, battery pack and charger in good repair by adopting a regular maintenance program. If the flood light does not work properly, return the flood light to a **AT & T SERVICE** service facility for repairs.

⚠WARNING To reduce the risk of personal injury and damage, never immerse your tool, battery pack or charger in liquid or allow a liquid to flow inside them.

Cleaning

Clean dust and debris from vents. Keep handles clean, dry and free of oil or grease. Use only mild soap and a damp cloth to clean, since certain cleaning agents and solvents are harmful to plastics and other insulated parts. Some of these include petrol, turpentine, lacquer thinner, paint thinner, chlorinated cleaning solvents, ammonia and household detergents containing ammonia. Never use flammable or combustible solvents around tools.

ACCESSORIES

⚠WARNING Always remove battery pack and unplug tool before changing or removing accessories. Only use accessories specifically recommended for this tool. Others may be hazardous.

For a complete listing of accessories refer to your MILWAUKEE® Tool catalog or go online to www.milwaukeetool.com.au / www.milwaukeetool.co.nz. To obtain a catalog, contact your local distributor or a service centre.

WARRANTY - AUSTRALIA and NEW ZEALAND

Please refer to Australian and New Zealand warranty supplied with tool. This warranty applies only to product sold in Australia and New Zealand.

SERVICE - AUSTRALIA and NEW ZEALAND

MILWAUKEE[®] prides itself in producing a premium quality product that is Nothing But Heavy Duty[®]. Your satisfaction with our products is very important to us! If you encounter any problems with the operation of this tool, please contact your authorised *MILWAUKEE*[®] dealer.

For a list of *MILWAUKEE*[®] dealers, guarantee or service agents please contact *MILWAUKEE*[®] Customer Service or visit our website.

(Australia Toll Free Telephone Number 1300 361 505)

(New Zealand Toll Free Telephone Number 0800 279 624)

or visit www.milwaukeetools.com.au / www.milwaukeetools.co.nz.

Milwaukee Electric Tool Corporation

13135 West Lisbon Road, Brookfield, Wisconsin U.S.A. 53005

Milwaukee Electric Tool Corporation (Australia)

Techtronic Industries (Australia) Pty. Ltd.

Rowville, Victoria, Australia, 3178

Milwaukee Electric Tool Corporation (New Zealand)

Techtronic Industries (New Zealand) Pty. Ltd.

Mangere, Auckland, New Zealand, 2022